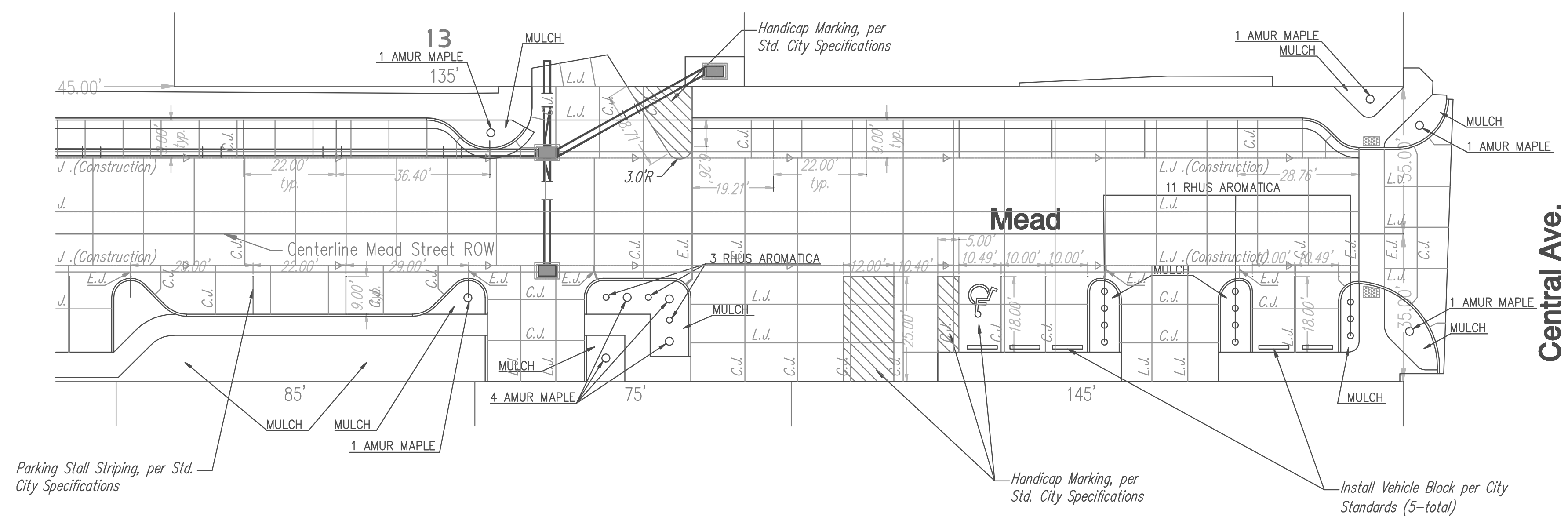


PLANT SCHEDULE (SHRUBS)			
QTY.	SELECTION		SIZE
32	Rhus Aromatica (Gro-low)	Gro-low Sumac	#3 Cont.
32 SHRUBS TOTAL			

PLANT SCHEDULE (TREES)			
QTY.	SELECTION		SIZE
13	Acer Ginnala	Amur Maple	2" Diameter
13 TREES TOTAL			



YOUNG & ASSOCIATES, P.A.
Civil Engineering ■ Surveying ■ Land Development

100 S. Georgia, Derby, KS 67037
 Tele: (316)788-2552, fax: (316)788-4408, email: engineering@ynga.com
 Copyright 2007, by Young & Associates, P.A. All rights reserved. Prepared in the State of Kansas. The accuracy or quality of the information contained herein is the responsibility of Young & Associates, P.A. This plan and design is the exclusive property of Young & Associates, P.A. The delivery of the original or copies thereof does not constitute publication thereof.

PAVING MARKING & LANDSCAPE LAYOUT PLAN
 Street and Storm Sewer Improvements
 Mead Street, from Central to 3rd Street
 City of Wichita
 Sedgwick County, Kansas

scale: as noted
 drawn by: cc
 checked by: cry
 date: 9/9/08
 P/N: 07-246
 revisions:

- ▲
- ▲
- ▲