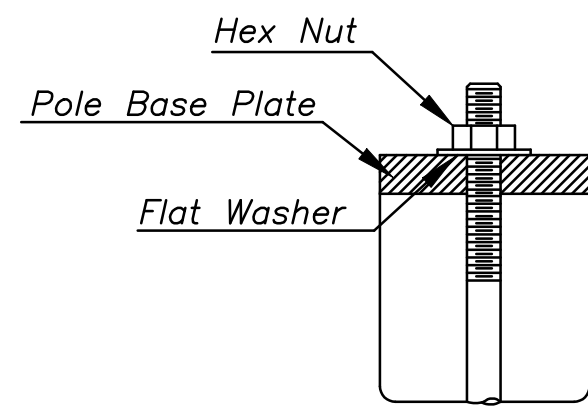
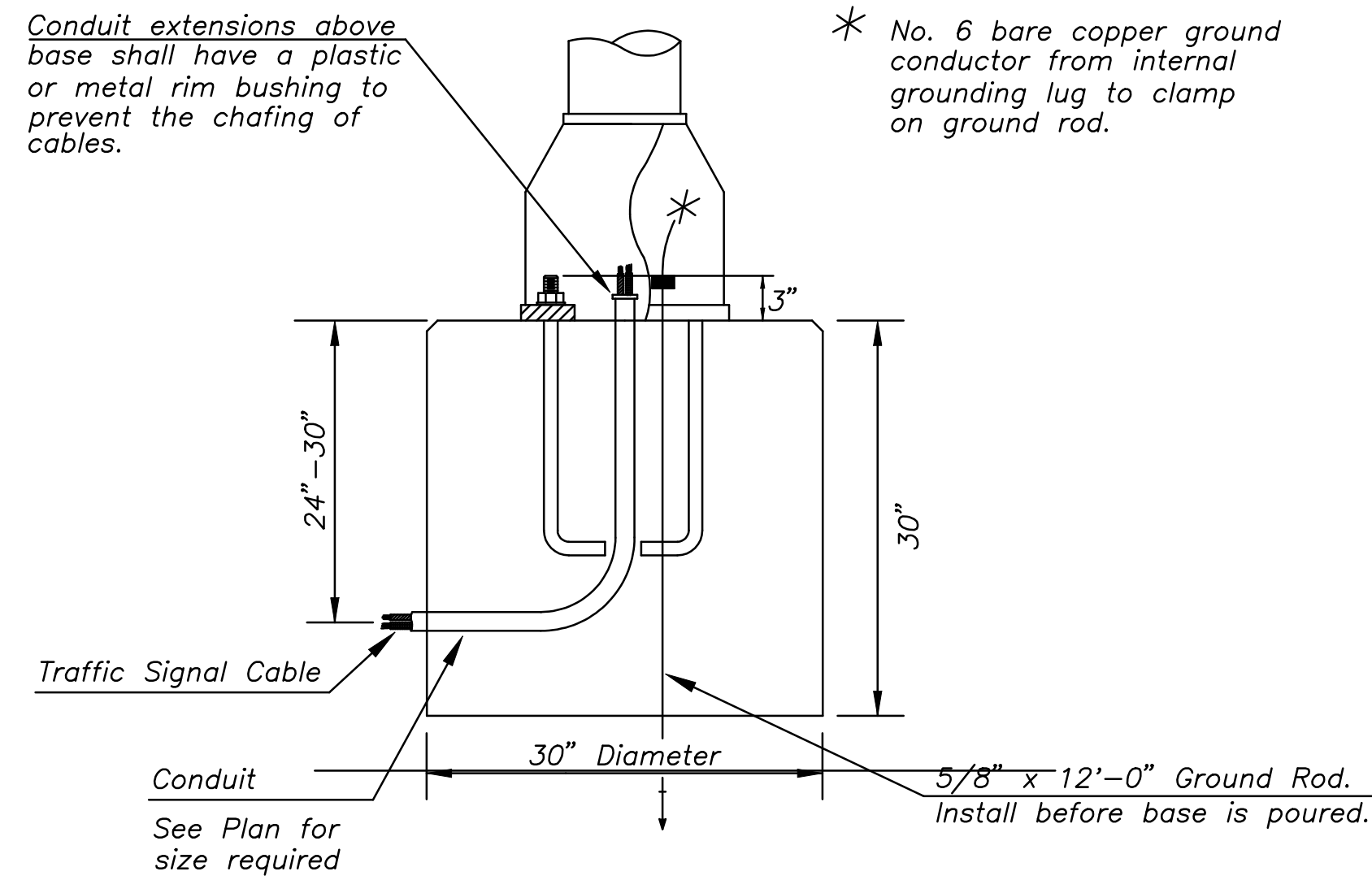
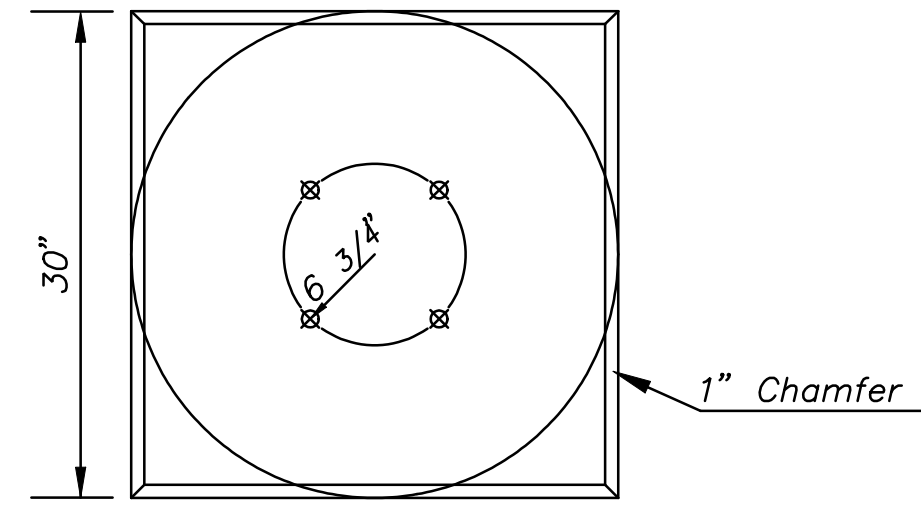


DSNR: DRM OPER: DRP SCALE: i:/2008/08521-002/Standards/08521-2-Pedestal.dgn LAST REV: 9-12-2008 BY: drp

Use Keystone "No-Weld Number 1 Anti-Seize Compound" on all bolts & nuts.

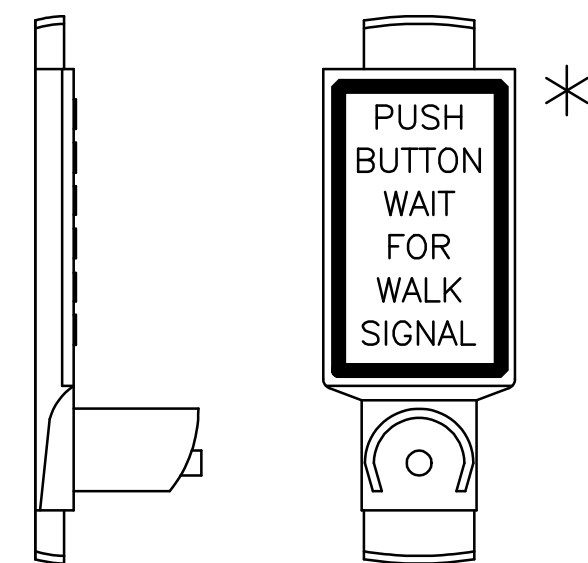


ANCHOR BOLT DETAIL



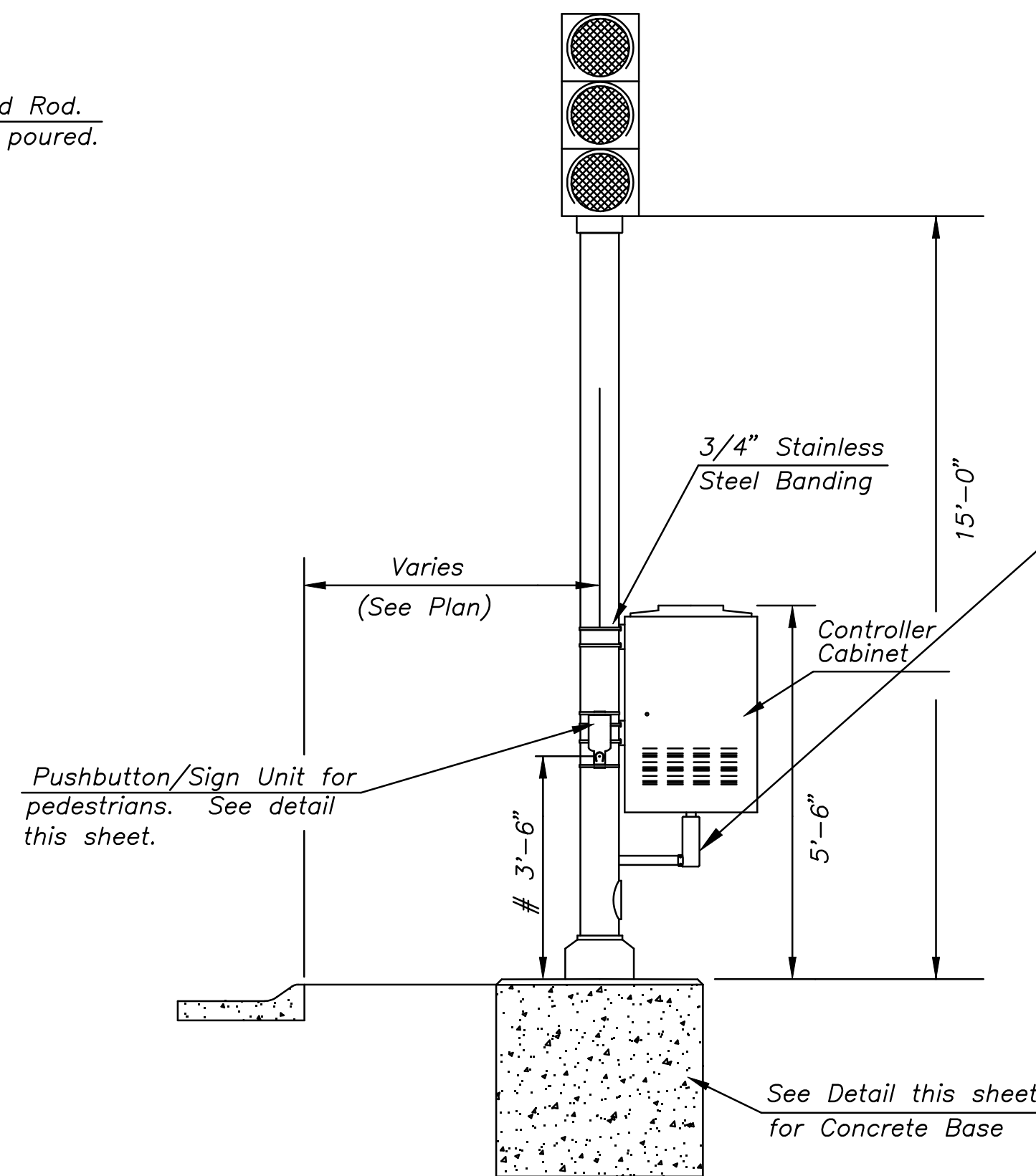
CONCRETE BASE DETAIL

*NOTE: MESSAGE TO BE CAST WITH HOUSING (ONE PIECE)

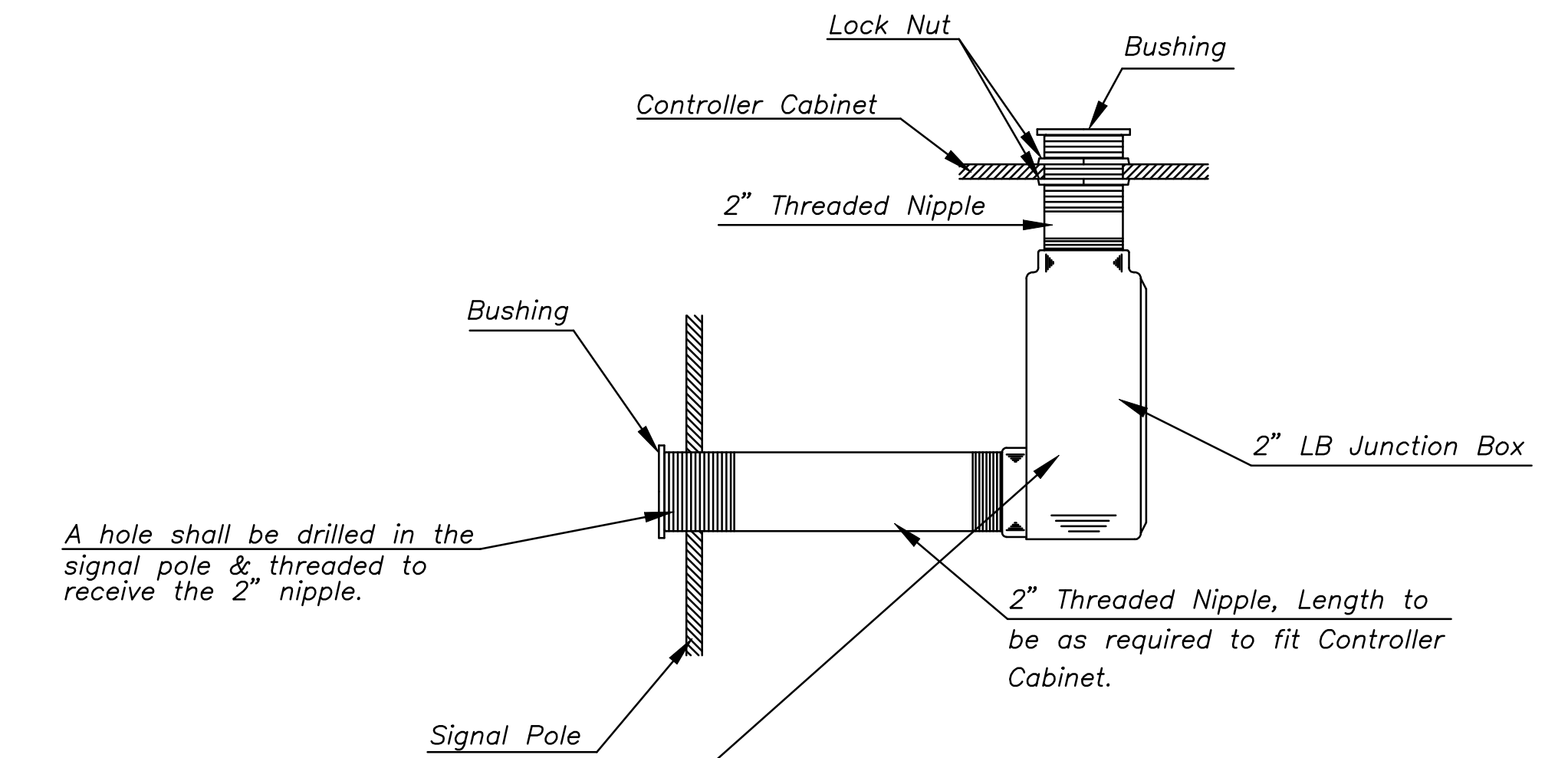


PEDESTRIAN PUSHBUTTON/SIGN UNIT DETAIL

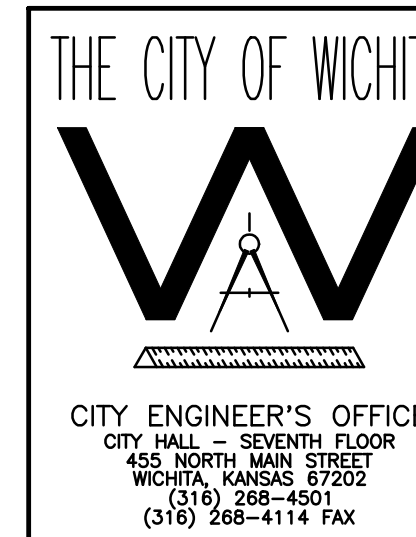
INSTALL PEDESTRIAN PUSHBUTTON UNDERNEATH CORRESPONDING PEDESTRIAN SIGNAL HEAD ON SIDE OF POLE NEAREST CROSSWALK. UNIT SHALL BE FIRMLY ATTACHED TO THE SIDE OF POLE WITH 3/4" STEEL BANDS. SHARP ENDS SHALL BE FOLDED UNDER TO PREVENT INJURY TO PEDESTRIANS.



TRAFFIC SIGNAL PEDESTAL



From Sidewalk Finish Grade to Center of Pushbutton.



Hydraulic Avenue		
TRAFFIC SIGNAL PEDESTAL & CONCRETE BASE DETAIL SHEET		
PROJECT NUMBER 472-84424 PHASE IV		
DRAWN BY: T.J.M.	SCALE NO SCALE	REVISED BY:
DATE: MAY 97		DATE:
CITY OF WICHITA DEPARTMENT OF PUBLIC WORKS		
DIVISION OF TRAFFIC ENGINEERING WM. G. MCKINLEY P.E. TRAFFIC ENGINEER		SHEET 5 OF 7