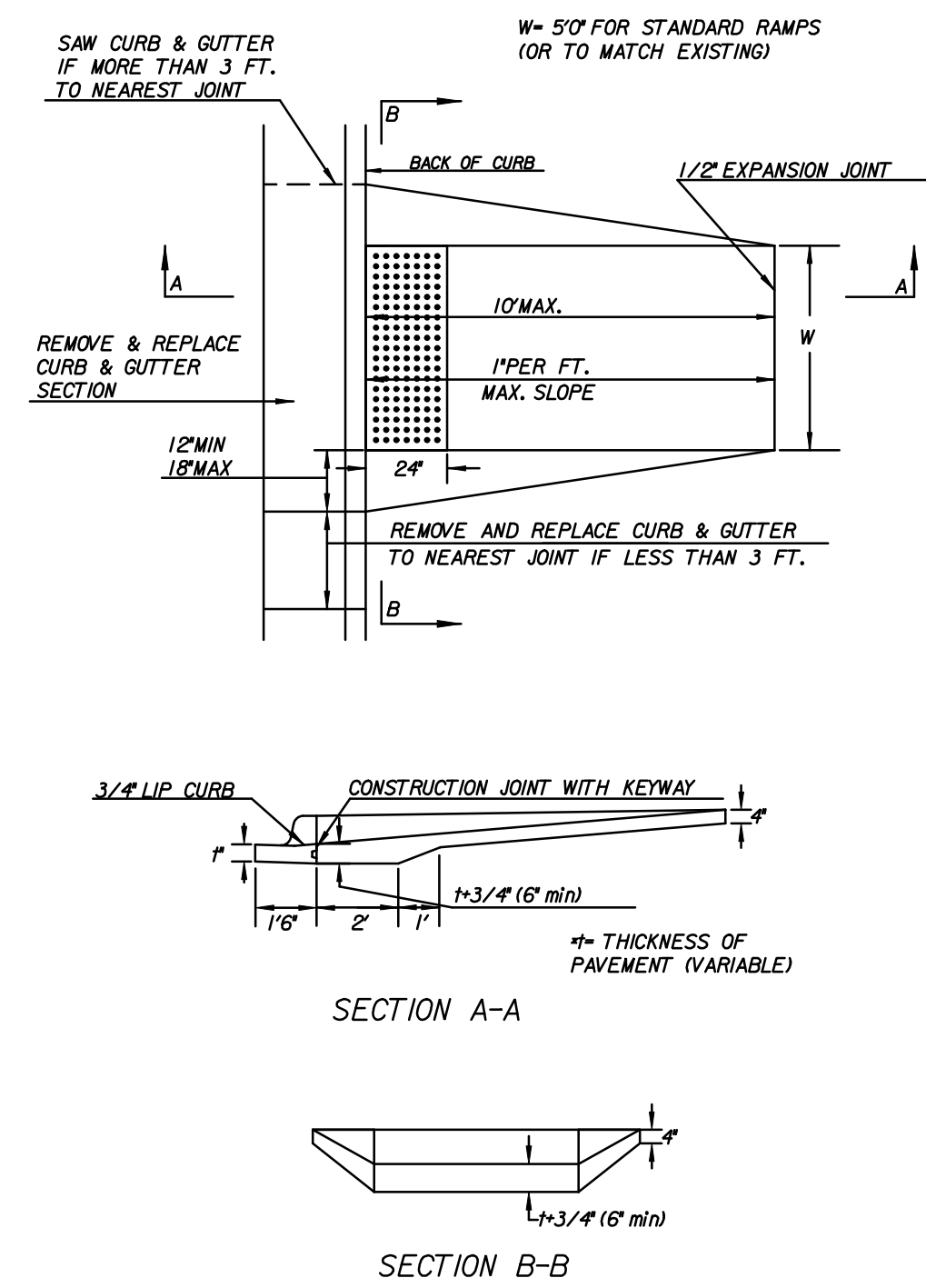
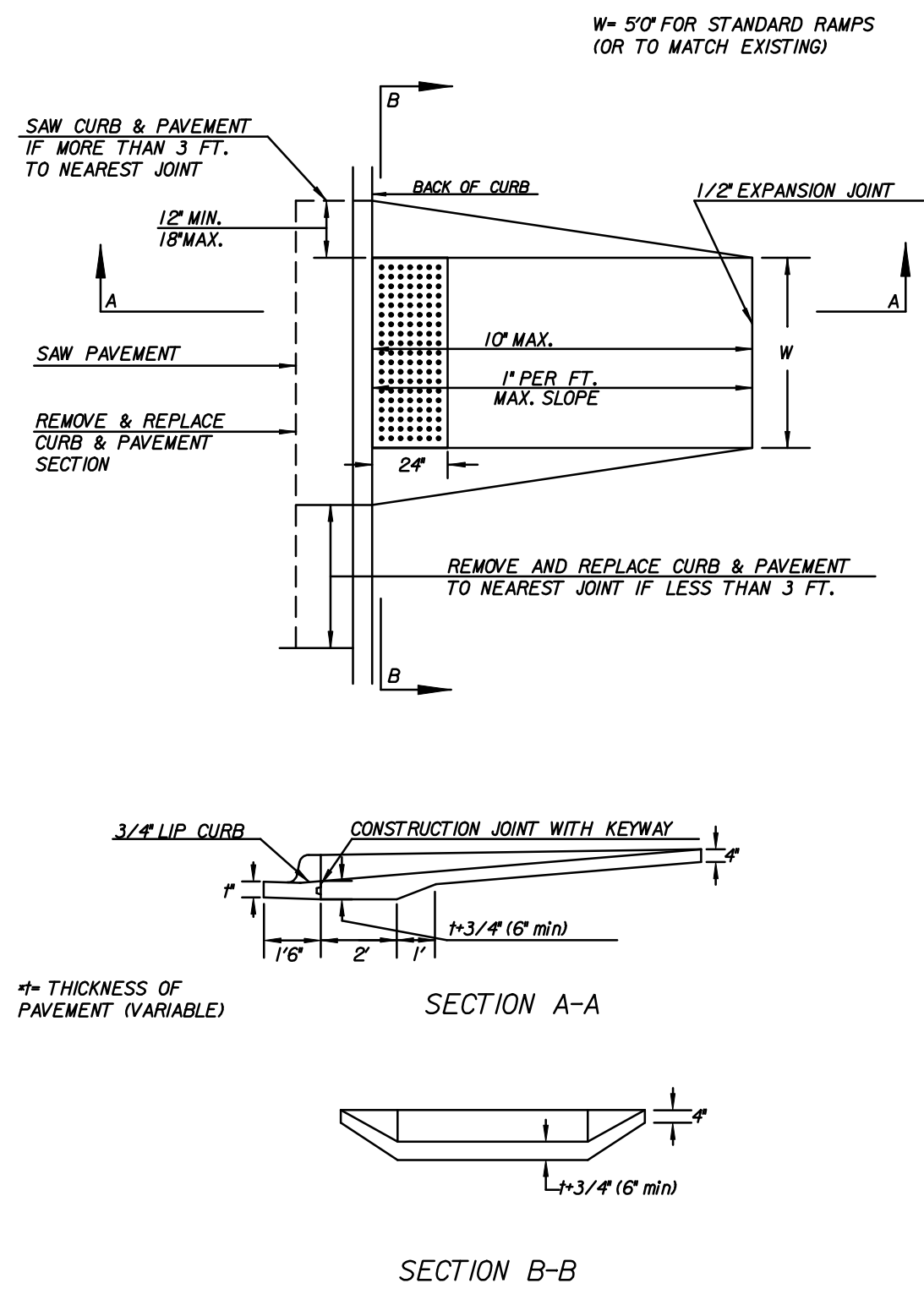


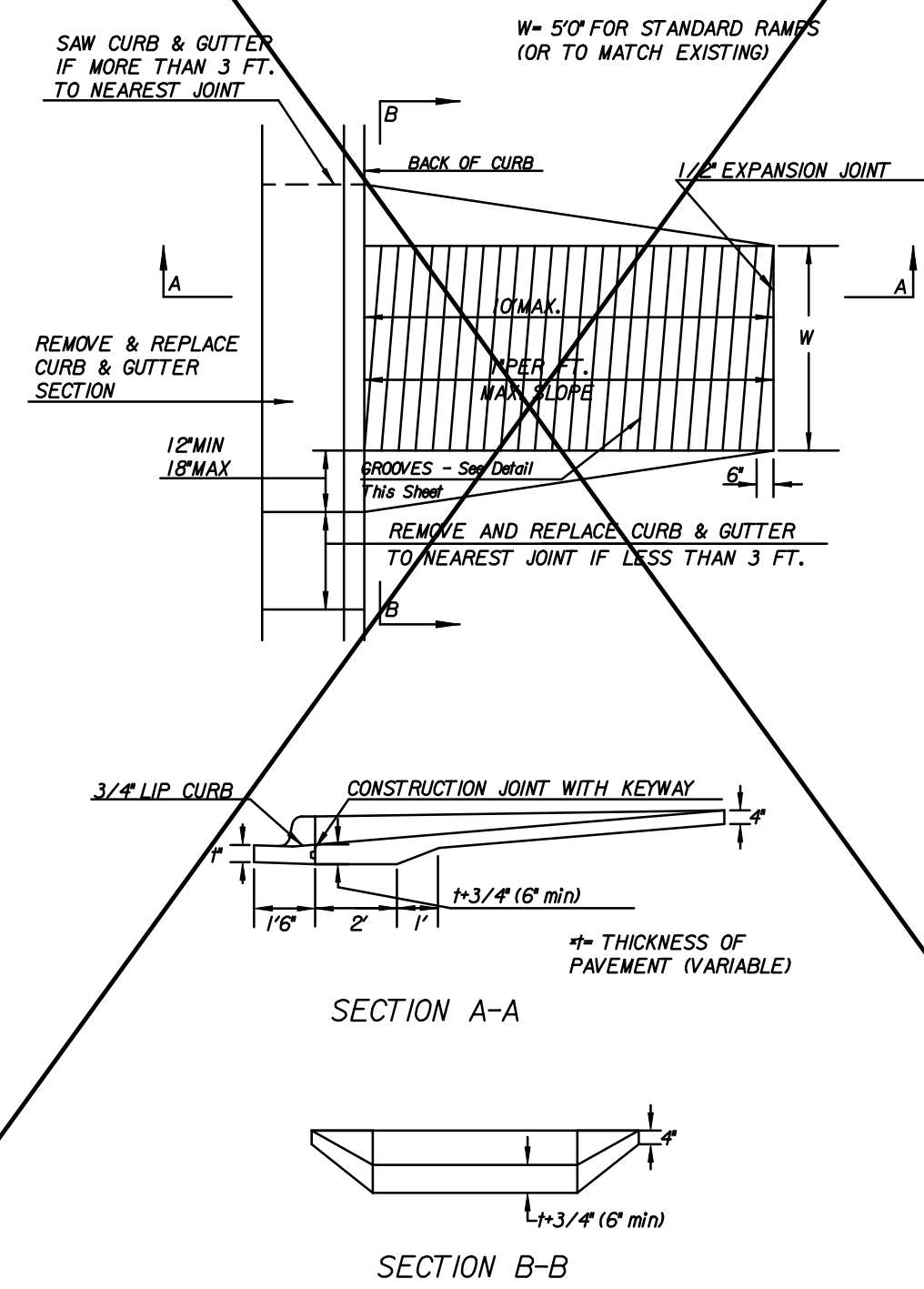
**STANDARD WHEELCHAIR RAMP CONSTRUCTION DETAIL FOR STREETS WITH COMBINED CURB & GUTTER (CLASS A)**



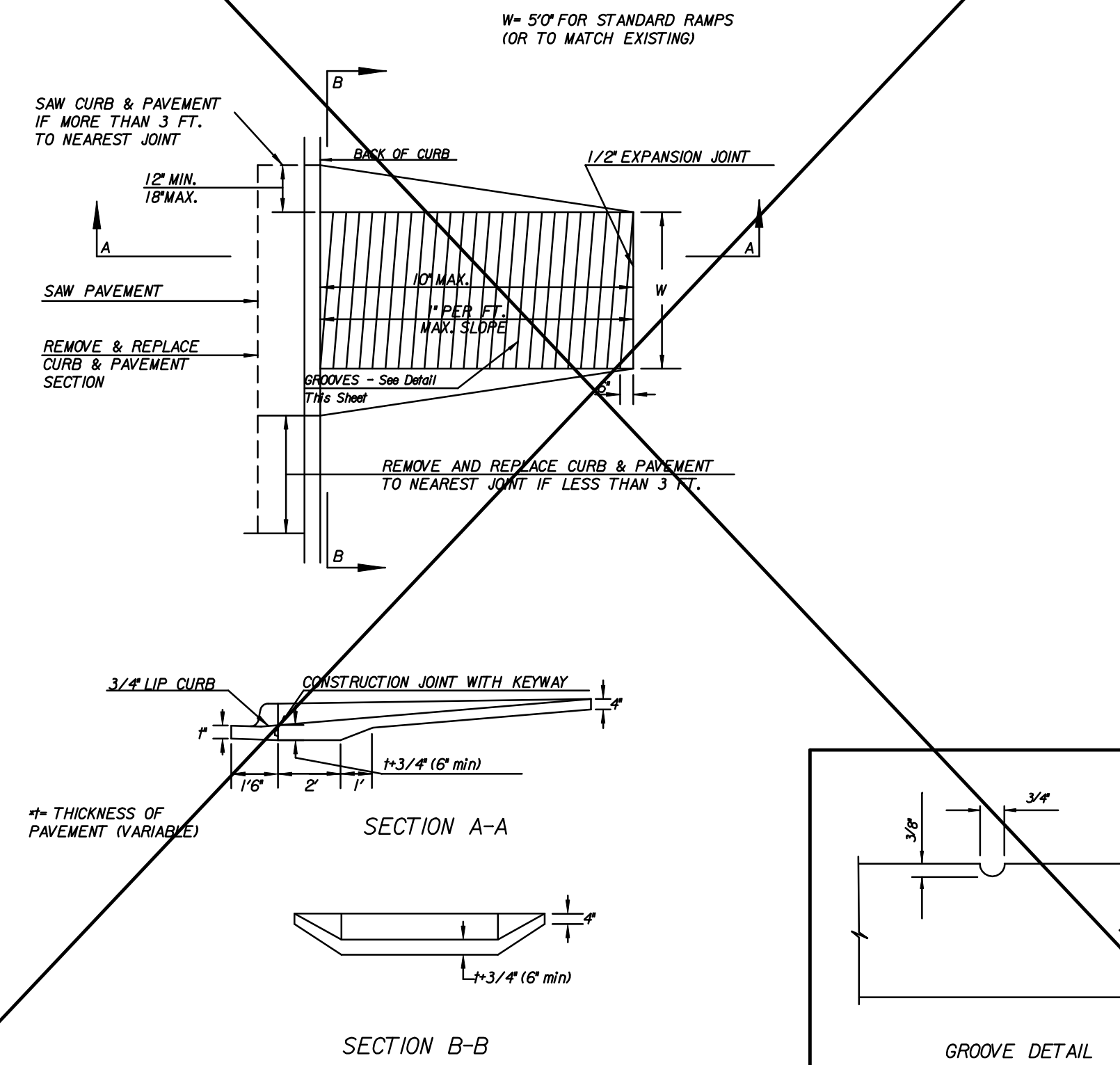
**STANDARD WHEELCHAIR RAMP CONSTRUCTION DETAIL FOR CONCRETE STREETS WITH MONOLITHIC CURB (CLASS A)**



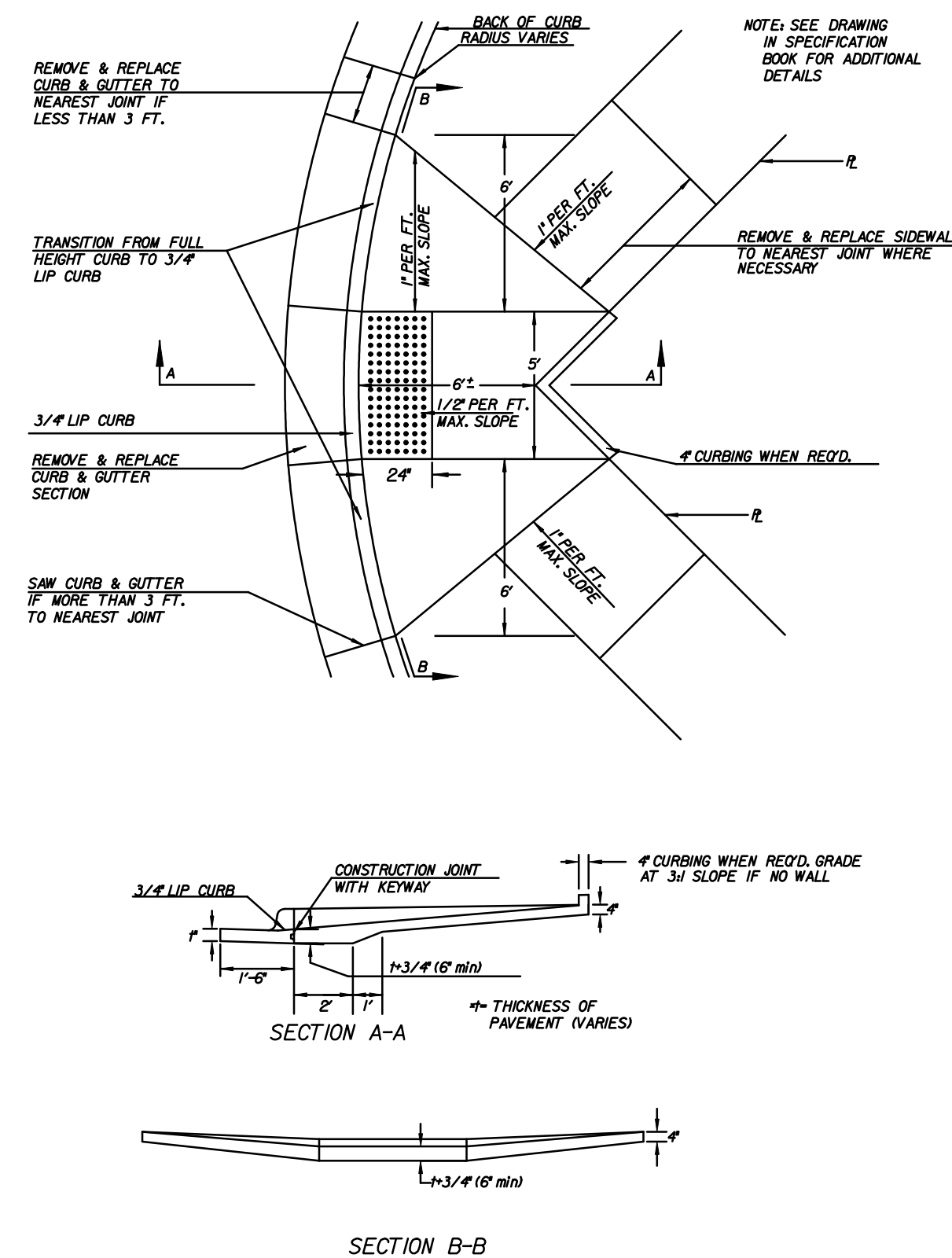
**STANDARD WHEELCHAIR RAMP CONSTRUCTION DETAIL FOR ENTRANCES WITH COMBINED CURB & GUTTER (CLASS B)**



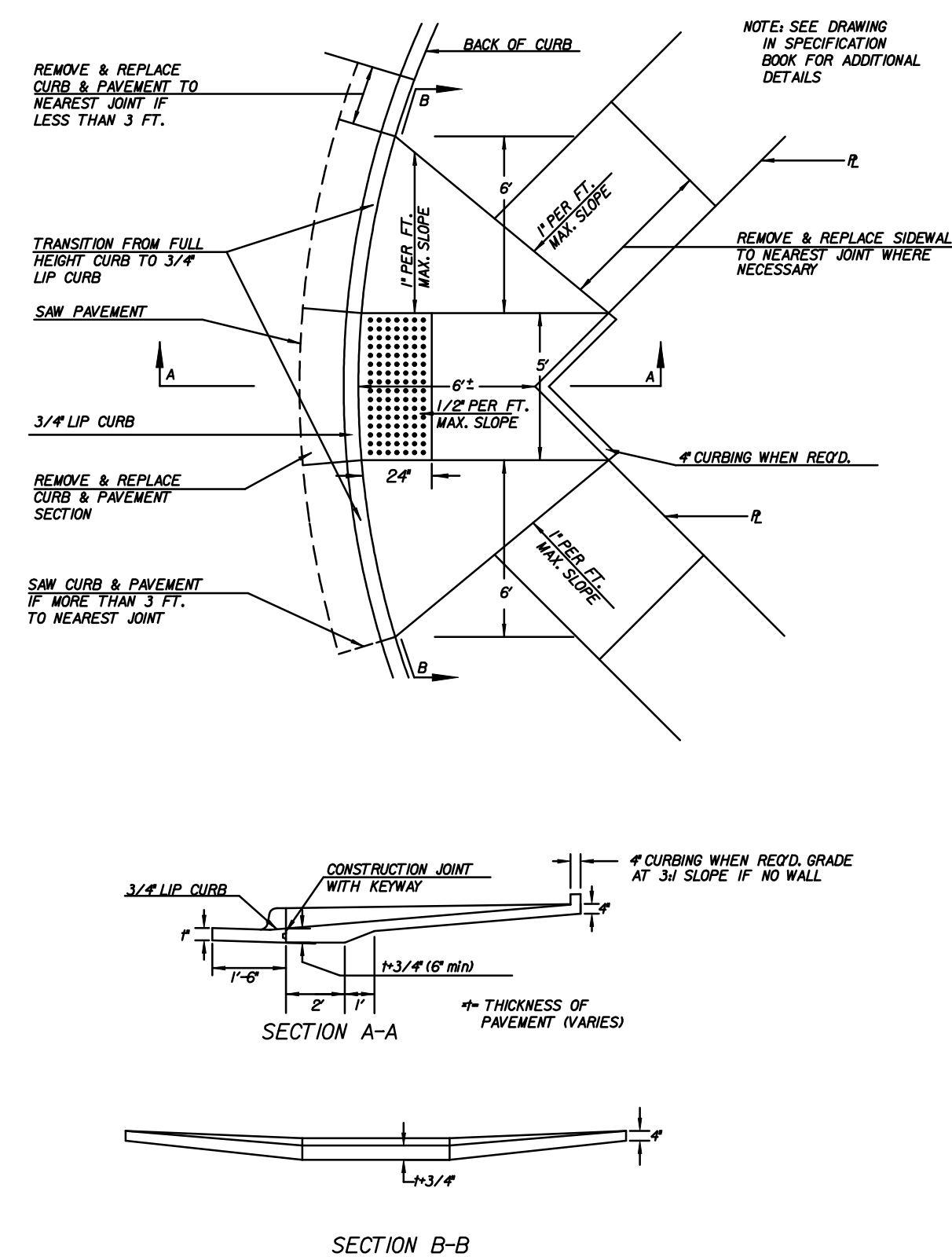
**STANDARD WHEELCHAIR RAMP CONSTRUCTION DETAIL FOR ENTRANCES WITH MONOLITHIC CURB (CLASS B)**



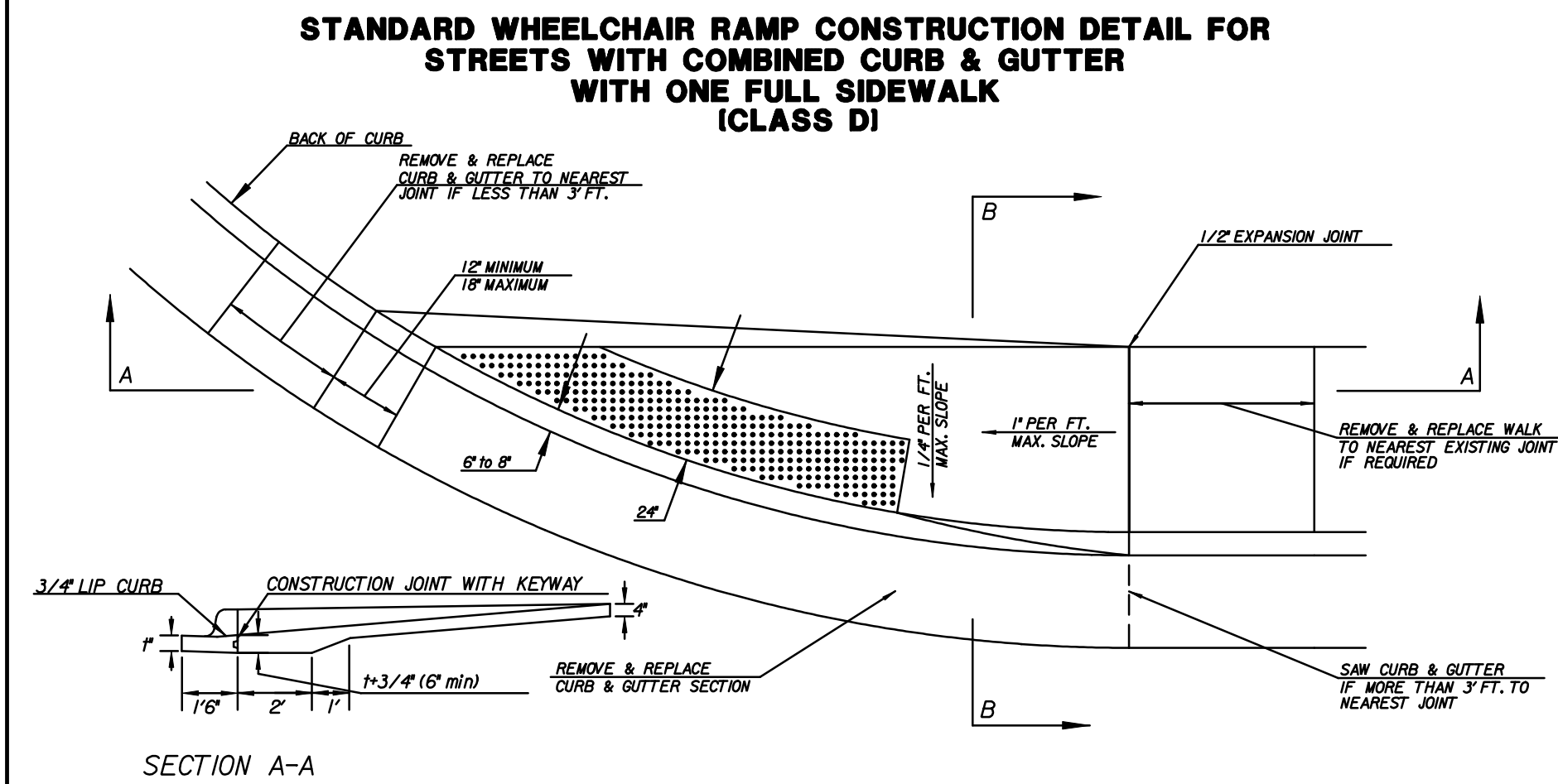
**STANDARD WHEELCHAIR RAMP CONSTRUCTION DETAIL FOR STREET WITH COMBINED CURB AND GUTTER ON RADIUS WITH 6'± FROM BACK OF CURB TO PROPERTY CORNER (CLASS C)**



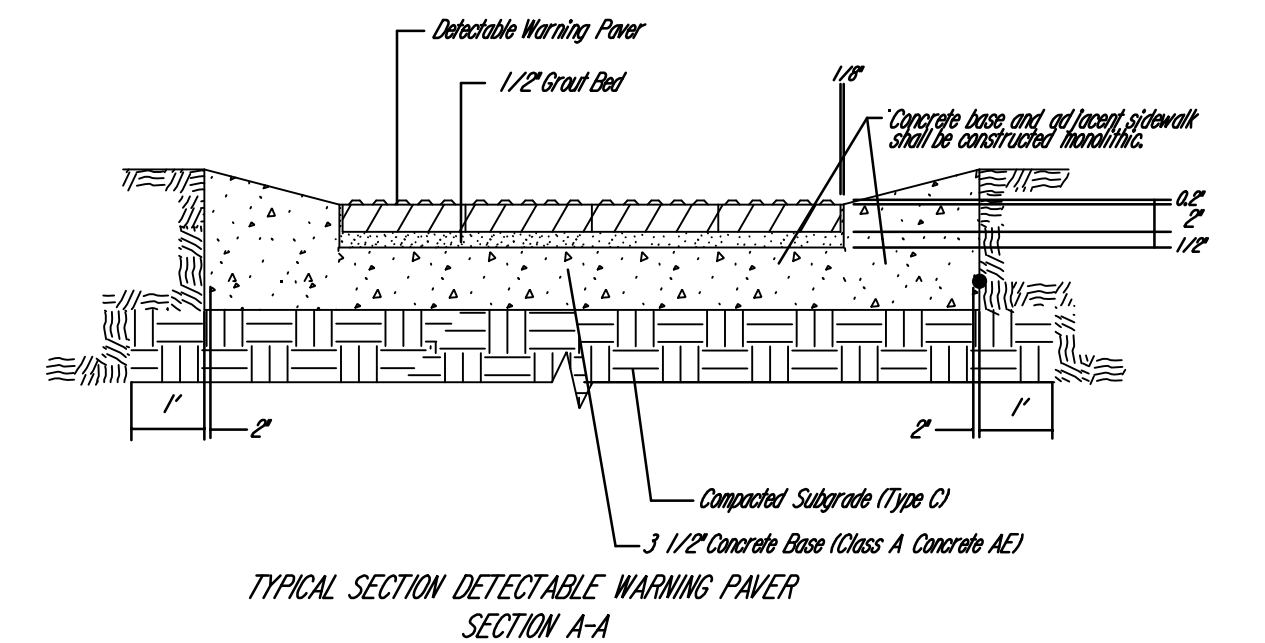
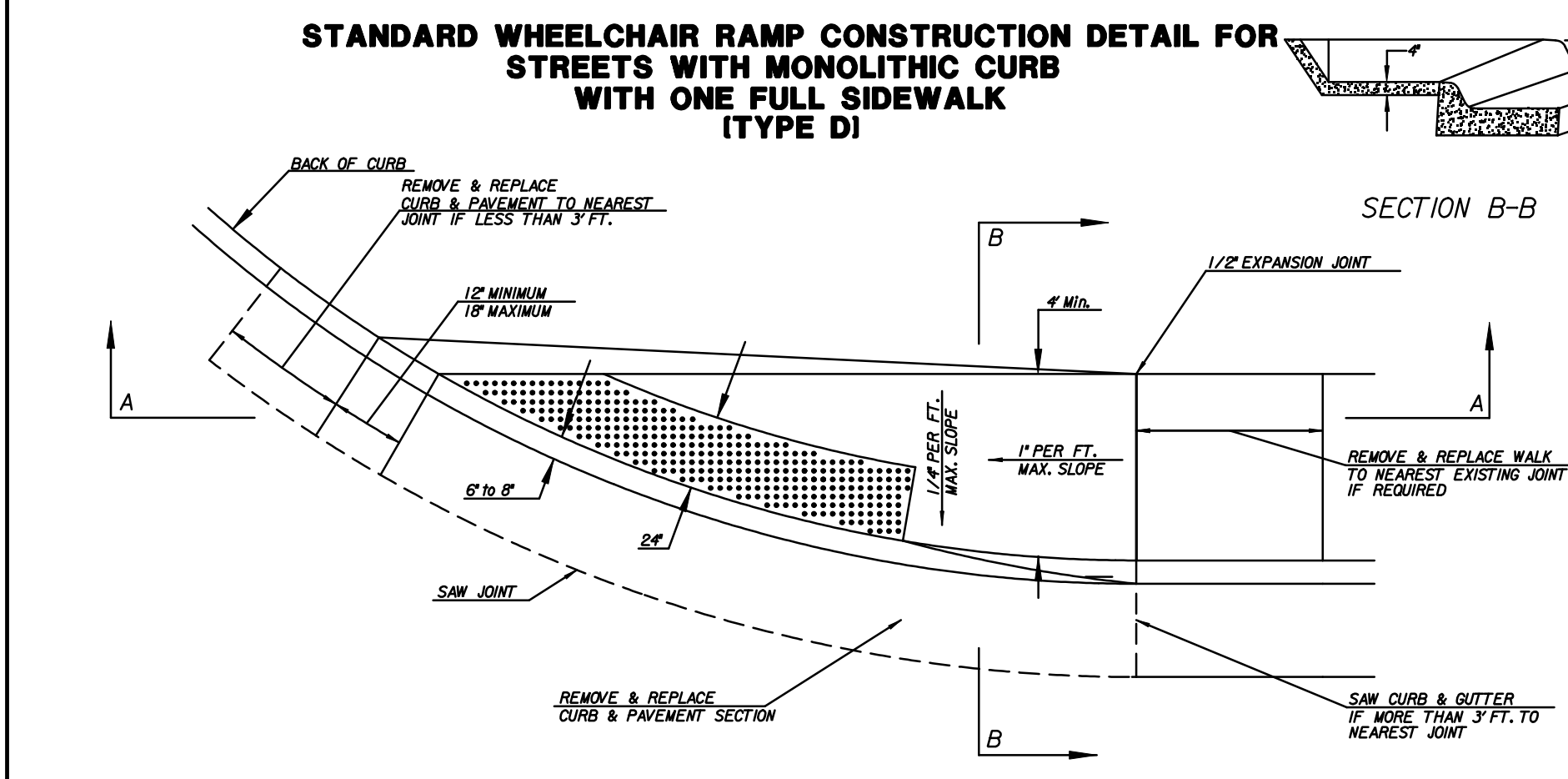
**STANDARD WHEELCHAIR RAMP CONSTRUCTION DETAIL FOR STREET WITH MONOLITHIC CURB ON RADIUS WITH 6'± FROM BACK OF CURB TO PROPERTY CORNER (CLASS C)**



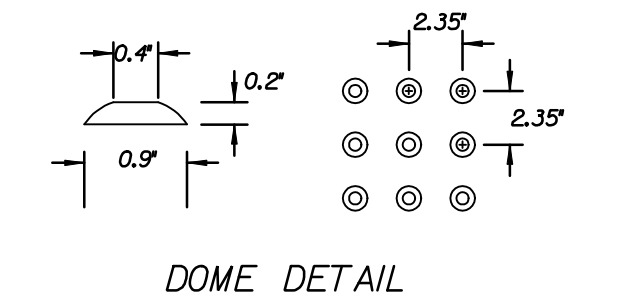
**STANDARD WHEELCHAIR RAMP CONSTRUCTION DETAIL FOR STREETS WITH COMBINED CURB & GUTTER WITH ONE FULL SIDEWALK (CLASS D)**



**STANDARD WHEELCHAIR RAMP CONSTRUCTION DETAIL FOR STREETS WITH MONOLITHIC CURB WITH ONE FULL SIDEWALK (TYPE D)**



NOTE: HOWEVER DETECTABLE WARNING PAVERS (OR AN APPROVED ALTERNATE) SHALL BE USED IN ALL WHEELCHAIR RAMPS. THE 11 3/4" RED 15" PAVES SHALL BE USED IN ALL APPLICATIONS.  
 HANOVER ARCHITECTURAL PRODUCTS  
 240 BENDER ROAD  
 HANOVER, PA 17331  
 1-717-631-0500  
 www.hanoverpavers.com



DSNR: COW OPER: DRP SCALE: 1-1/8" PLOTTED: 9-8-2008 DRP  
 7/2008/08521-002/Standards/08521-2-WCR with Detectable Warning v8.dgn

-WCR with Detectable Warning-ENG-

**WHEELCHAIR RAMP DETAILS**

CITY ENGINEER  
**JAMES L. ARMOUR, P.E., L.S.**

PROJECT NUMBER 472-84424 (P4)	OCA NUMBER 706956	DATE 07/03
CITY ENGINEER'S OFFICE CITY HALL - SEVENTH FLOOR 455 NORTH MAIN STREET WICHITA, KANSAS 67202-1620 (316) 268-4501 (316) 268-4114 FAX	DESIGN City	DRAWN City

SHEET  
**7 OF 7**

REV. 7-21-03