

10 OF 18 SHEET
 CITY ENGINEER'S OFFICE
 455 NORTH MAIN STREET
 WICHITA, KANSAS 67202-1620
 (316) 268-4501
 (316) 268-4114 FAX

DESIGN DRAWN
 COW COW
 DATE 01-07

PROJECT NUMBER
 468-84127
 744194

CITY ENGINEER
 JAMES L. ARMOUR, P.E.

MANHOLE FRAME AND COVER
 STANDARD & LIGHT WEIGHT

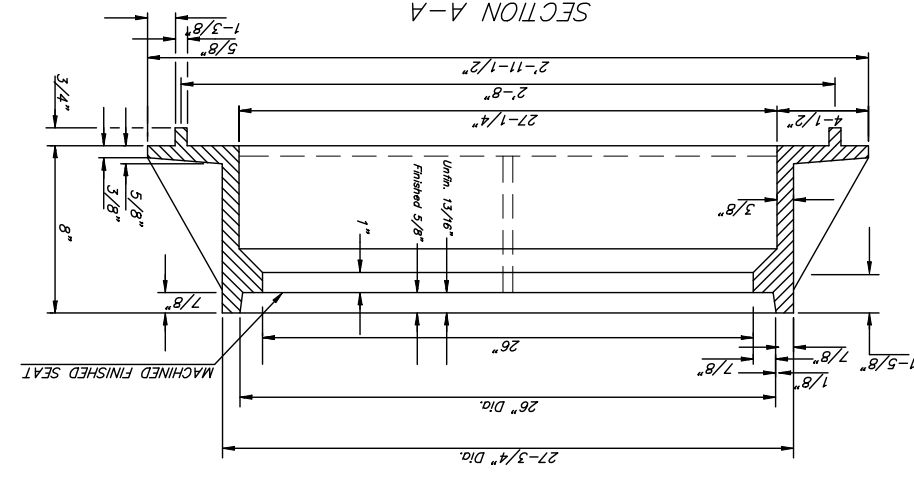


REV. 3-13-02, MCG

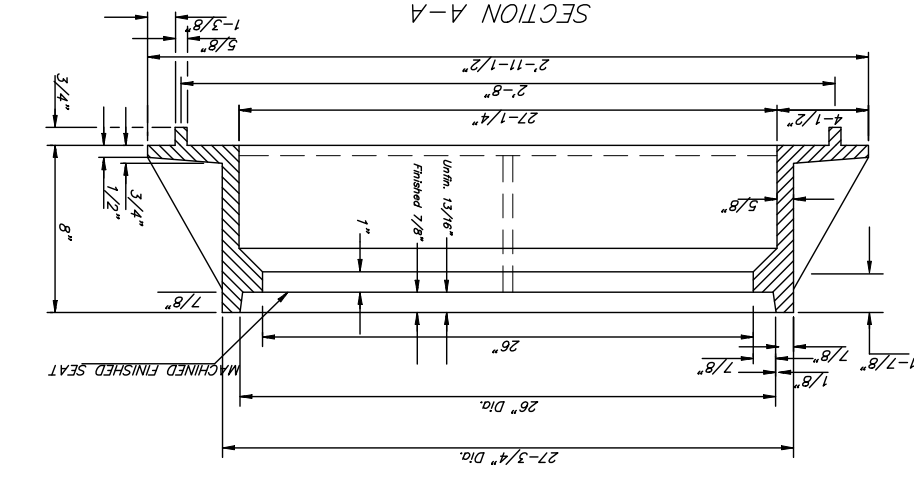
Sto 55+14.9	Sto 74+22.3
Sto 52+66.2	Sto 71+52.9
Sto 49+20.4	Sto 68+83.4
Sto 45+73.4	Sto 67+59.8
Sto 44+32.5	Sto 64+33.9
Sto 41+20.6	Sto 62+82.4
Sto 37+89.0	Sto 60+18.6
Sto 34+81.8	Sto 57+53.8

The following 16 manholes shall have Dealer 1270-B manhole ring and Dotted cover with "O" ring gasket. Cost of ring and cover shall be included to cost of manhole.

SECTION A-A
 LIGHT WEIGHT
 MANHOLE FRAME
 Weight = 161 lbs.

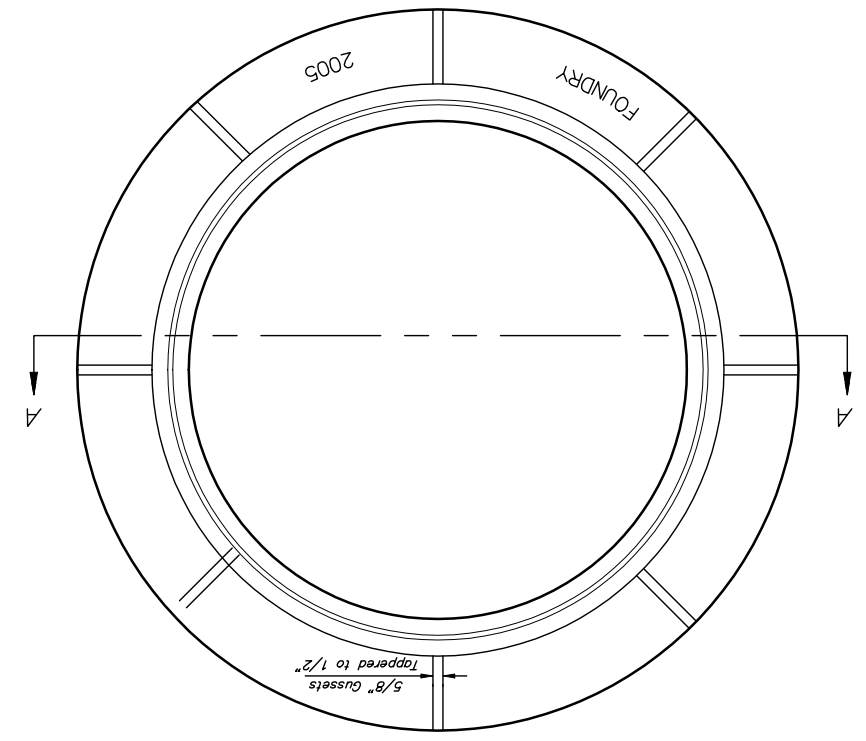


SECTION A-A
 STANDARD
 MANHOLE FRAME
 Weight = 250 lbs.

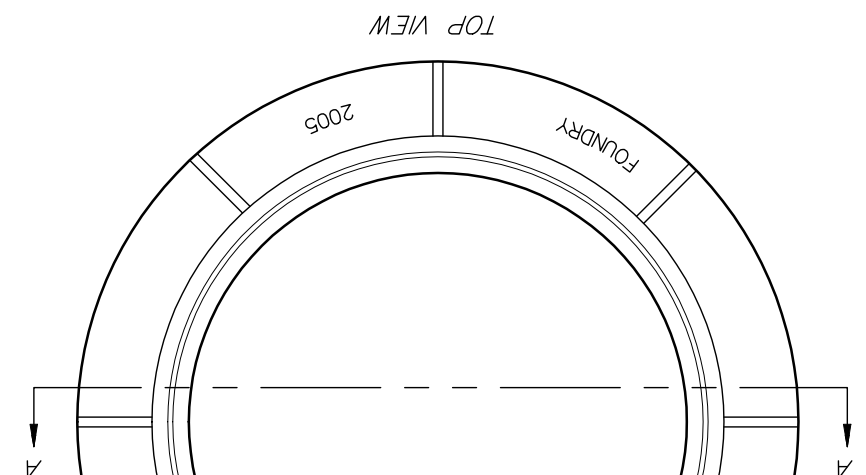


STANDARD AND LIGHT WEIGHT
 MANHOLE FRAME AND COVER DETAIL
 ADOPTED AS STANDARD DESIGN BY
 CITY OF WICHITA, KANSAS

LIGHT WEIGHT
 MANHOLE FRAME
 Weight = 161 lbs.

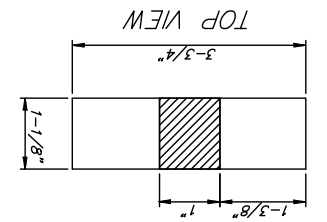
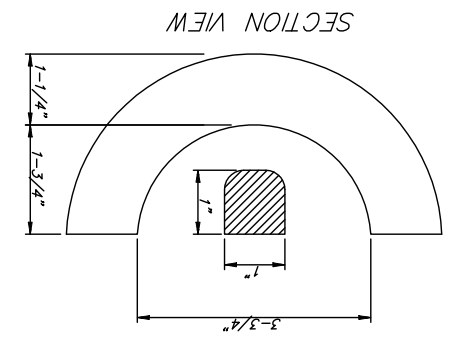


LIGHT WEIGHT
 MANHOLE FRAME
 Weight = 161 lbs.



GENERAL NOTES

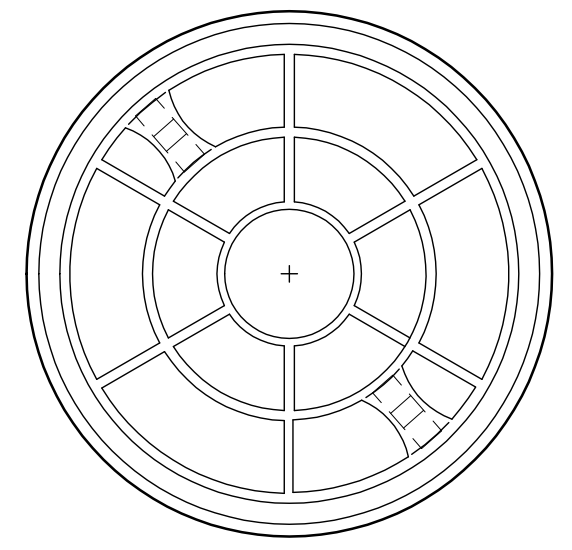
- MANHOLE CASTINGS SHALL BE MANUFACTURED USING GOOD QUALITY GRAY IRON CONFORMING TO CLASS 30 OF A.S.T.M. DIMENSIONS AND WEIGHTS SHOWN ON THE DETAILED DRAWINGS SHALL BE CONSIDERED AS MINIMUM REQUIREMENTS AND ANY DEVIATIONS FROM THE DIMENSIONS SHOWN MUST BE SPECIFICALLY APPROVED. THE FINISHED CASTINGS SHALL BE OF UNIFORM QUALITY, FREE FROM BLOWHOLES, POROSITY, HARD SPOTS, SHRINKAGE DISTORTIONS OR OTHER DEFECTS.
- LIGHT WEIGHT MANHOLE CASTINGS SHALL WEIGH A MINIMUM OF 180 POUNDS ON THE SOLID COVER AND 161 POUNDS ON THE MANHOLE RING. THIS IS A TOTAL OF 341 POUNDS ON A RING AND COVER SET. CASTINGS WEIGHING LESS THAN THE MINIMUM SPECIFICATIONS WILL NOT BE ACCEPTED.
- STANDARD MANHOLE CASTINGS SHALL WEIGH A MINIMUM OF 180 POUNDS ON THE SOLID COVER AND 430 POUNDS ON THE MANHOLE RING. THIS IS A TOTAL OF 430 POUNDS ON A RING AND COVER SET. CASTINGS WEIGHING LESS THAN THE MINIMUM SPECIFICATIONS WILL NOT BE ACCEPTED.
- MANHOLE CASTINGS SHALL BE MANUFACTURED SUCH THAT A COVER MANUFACTURED BY ANY ONE FOUNDRY WILL FIT INTERCHANGEABLY INTO A FRAME MANUFACTURED BY ANOTHER FOUNDRY AND CIRCUMFERENCE OF THE COVER. THE SEATING SURFACES BETWEEN THE COVER AND FRAME SHALL BE MACHINED SUCH THAT THESE SEATING SURFACES SHALL MAKE FULL CONTACT FOR THEIR FULL CIRCUMFERENCE TO PRECLUDE THE COVER FROM ROCKING IN THE FRAME.
- THE MANHOLE FRAME AND COVER SHALL BE MARKED WITH LETTERING INDICATING THE NAME OF THE MANUFACTURER AND THE YEAR WHEN THE COVER OR FRAME WAS CAST. THE COVER SHALL BE FURTHER IDENTIFIED WITH REGARDS TO OWNERSHIP USING LETTERS AT LEAST 1 INCH IN HEIGHT. THIS IDENTIFICATION SHALL BE "CITY OF WICHITA SANITARY SEWER" OR "CITY OF WICHITA STORM SEWER". THE TEXTURE OF THE TOP SURFACE OF THE COVER SHALL BE MANUFACTURED IN A CHECKERED PATTERN DESIGN AS INDICATED ON THE DRAWINGS. SMOOTH BLOCKOUTS SHALL BE UTILIZED TO HIGHLIGHT THE LETTERING ON THE COVER SURFACE. THE TOTAL AREA OF SMOOTH SURFACE BLOCKOUTS SHALL NOT EXCEED THE AREA AS INDICATED ON THE DRAWING. POSITIONING OF SMOOTH BLOCKOUTS AND LETTERING MAY VARY FROM THAT SHOWN ON THE DETAILED DRAWING.
- MANHOLE FRAME WITHOUT MUDRING TO BE USED ONLY ON RECONSTRUCTION PROJECTS WHERE ADDITIONAL CLEARANCE IS NEEDED.



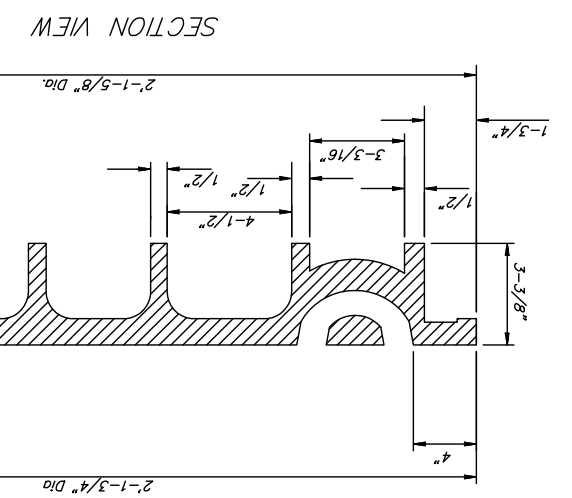
PICKHOLE DETAIL

SECTION VIEW

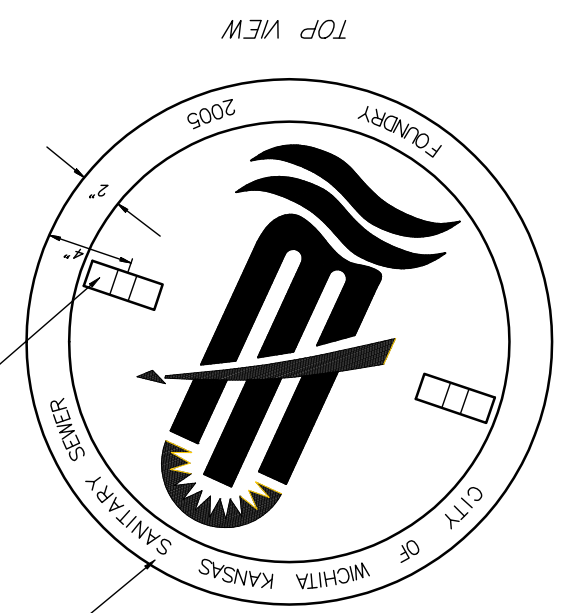
TOP VIEW



BOTTOM VIEW



SECTION VIEW



MANHOLE COVER
 Weight = 180 lbs.

CLOSED PICKHOLE (SEE DETAIL)

CHANGE TO SANITARY SEWER OR STORM SEWER AS APPLICABLE