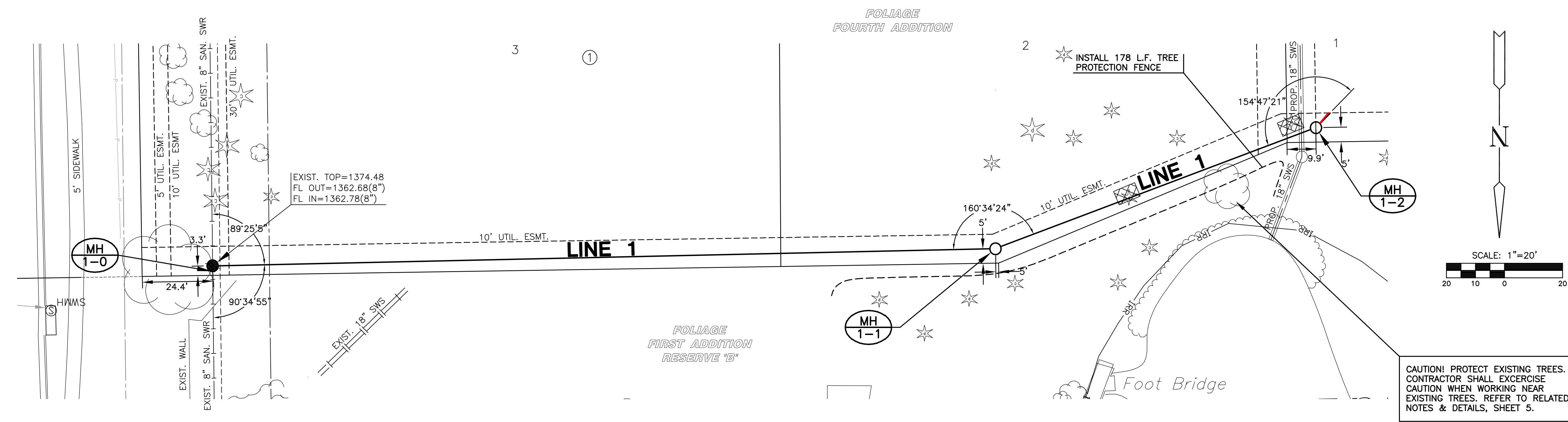
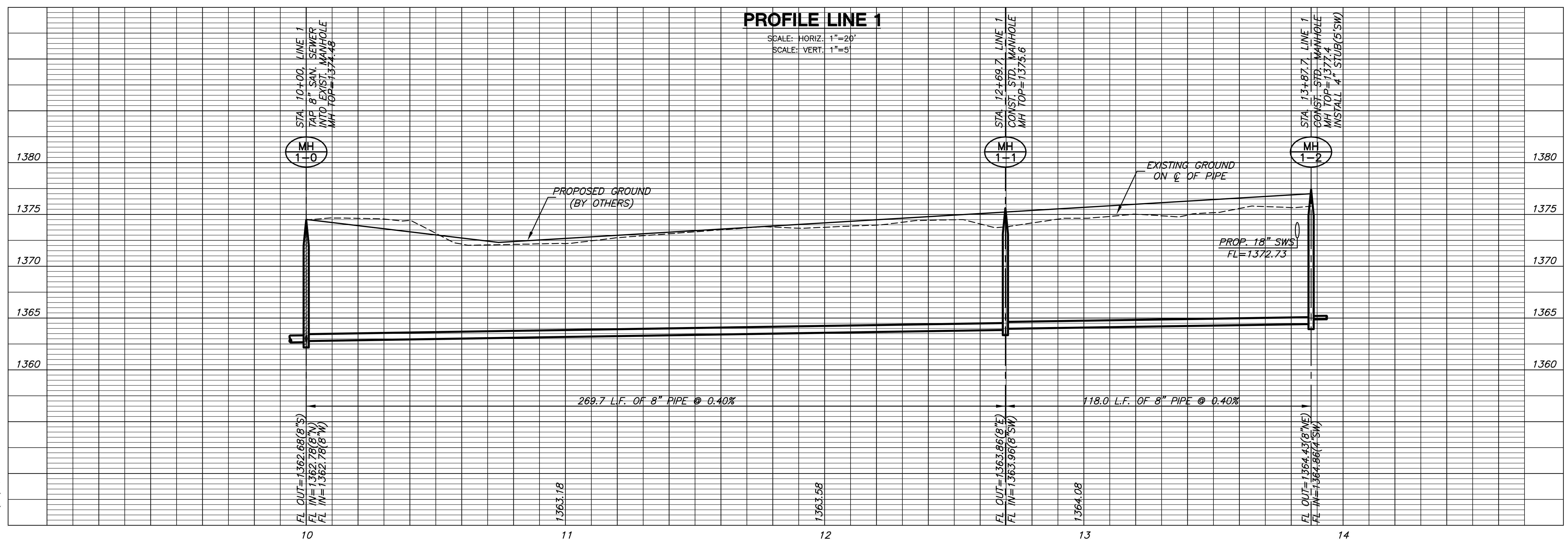


**SANITARY SEWER PLANS**  
**FOLIAGE FOURTH ADDITION**  
**PHASE 1**



**NOTES:**  
CONTRACTOR TO VERIFY THE DEPTH AND LOCATION OF EXISTING UTILITIES PRIOR TO CONSTRUCTION.

**PLAN LINE 1**  
**PROFILE LINE 1**



PLOTED: Tuesday, May 20, 2008 @ 01:00PM

J:\CIVIL\0427A\DWG\SAN\0427A81.DWG

**LINE 1**  
SHEET TITLE  
0427A  
PROJECT NUMBER

DESIGN BY: SRS  
DRAWN BY: JWC  
CHECKED BY: DFL

ISSUED: May 2008  
REVISED:

SHEET NO.  
4 of 14