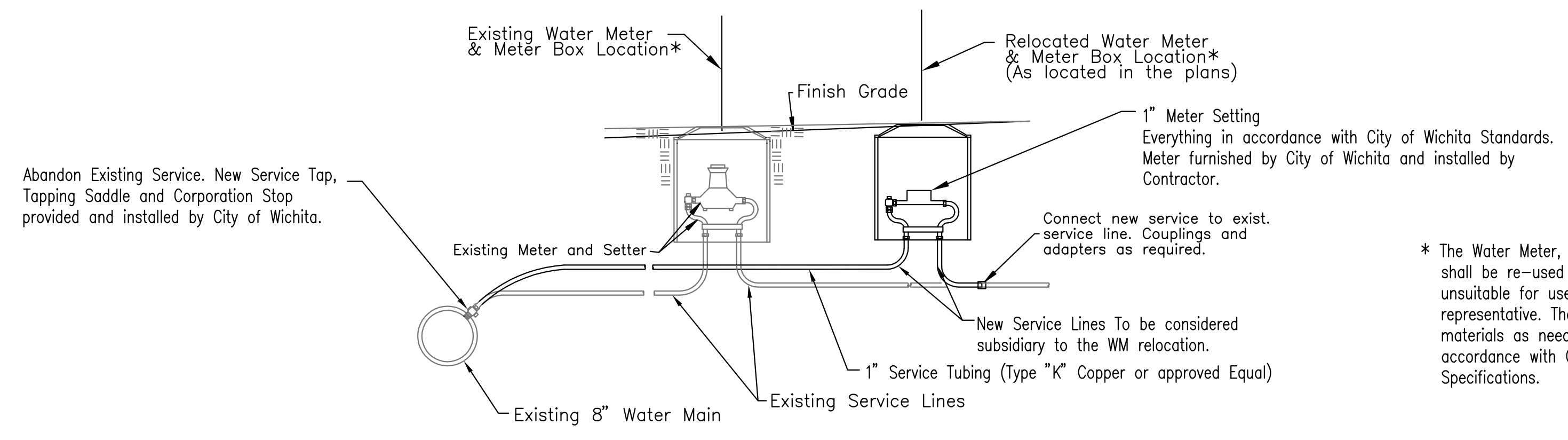


RECONNECT WATER SERVICE LINE AND METER DETAIL

RECONNECT EXISTING WATER SERVICE TABLE	
CONNECTION LOCATION	APPROXIMATE SERVICE LINE REQUIRED (FT.)
Washington St., Sta. 893+46.43, 37.8' Lt.	58' (East)



RELOCATE EXISTING WATER METER DETAIL

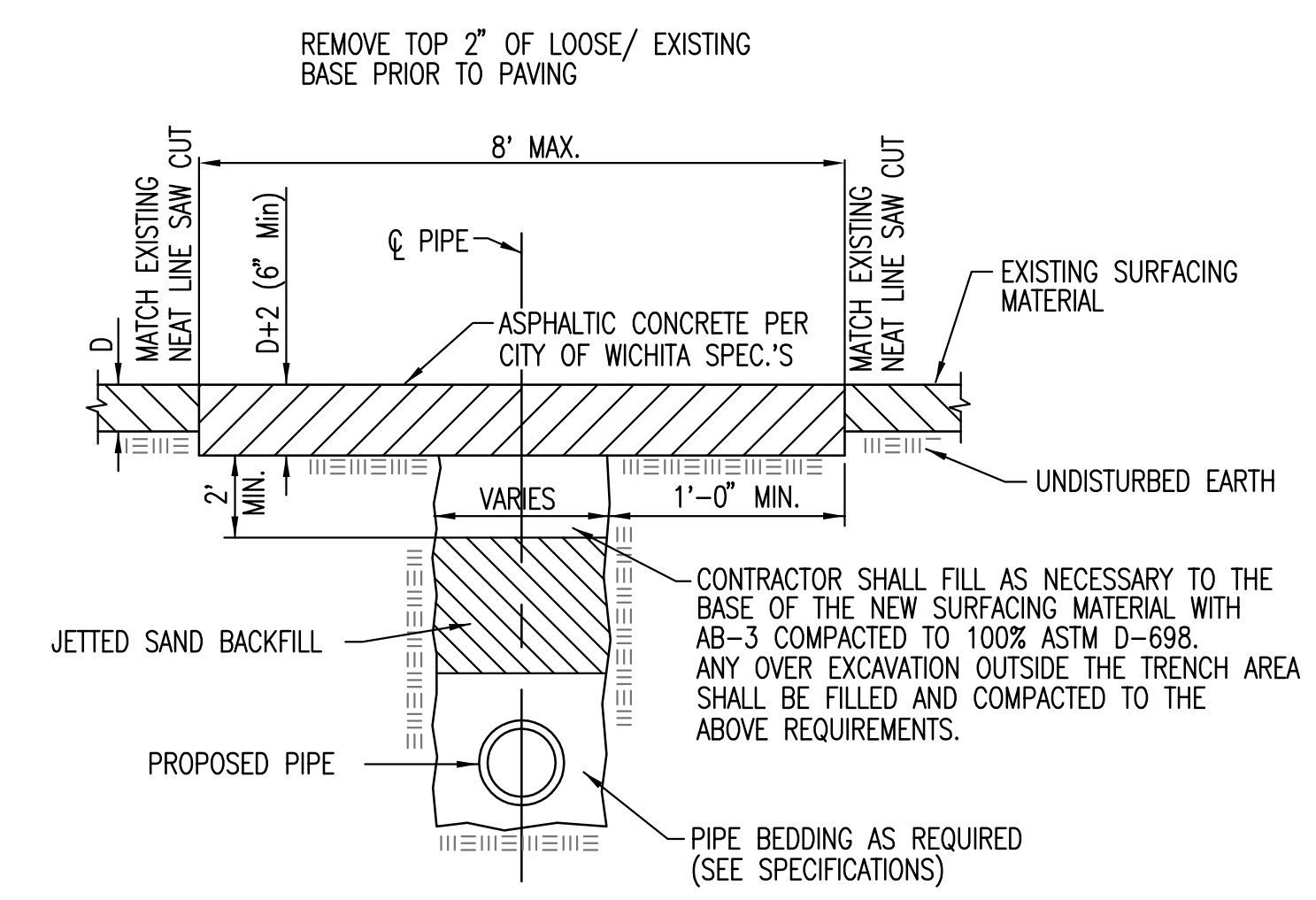
RELOCATE EXISTING WATER METER TABLE			
WASHINGTON ST. STATION	PROPOSED TAP LOCATION	PROPOSED METER LOCATION	APPROXIMATE 1" SERVICE LINE REQUIRED (FT.)
894+65.82	21.6' Rt.	31.4' Lt.	53'
896+24.50	28.6' Rt.	43.5' Lt.	72'
896+92.11	28.7' Rt.	43.5' Lt.	72'
898+81.34	29.2' Rt.	39.5' Lt.	69'
898+86.34	29.3' Rt.	39.5' Lt.	69'
902+41.53	26.6' Rt.	39.0' Lt.	66'

TOTAL METER BOXES = 6
 APPROXIMATE 1" SERVICE LINE = 401'

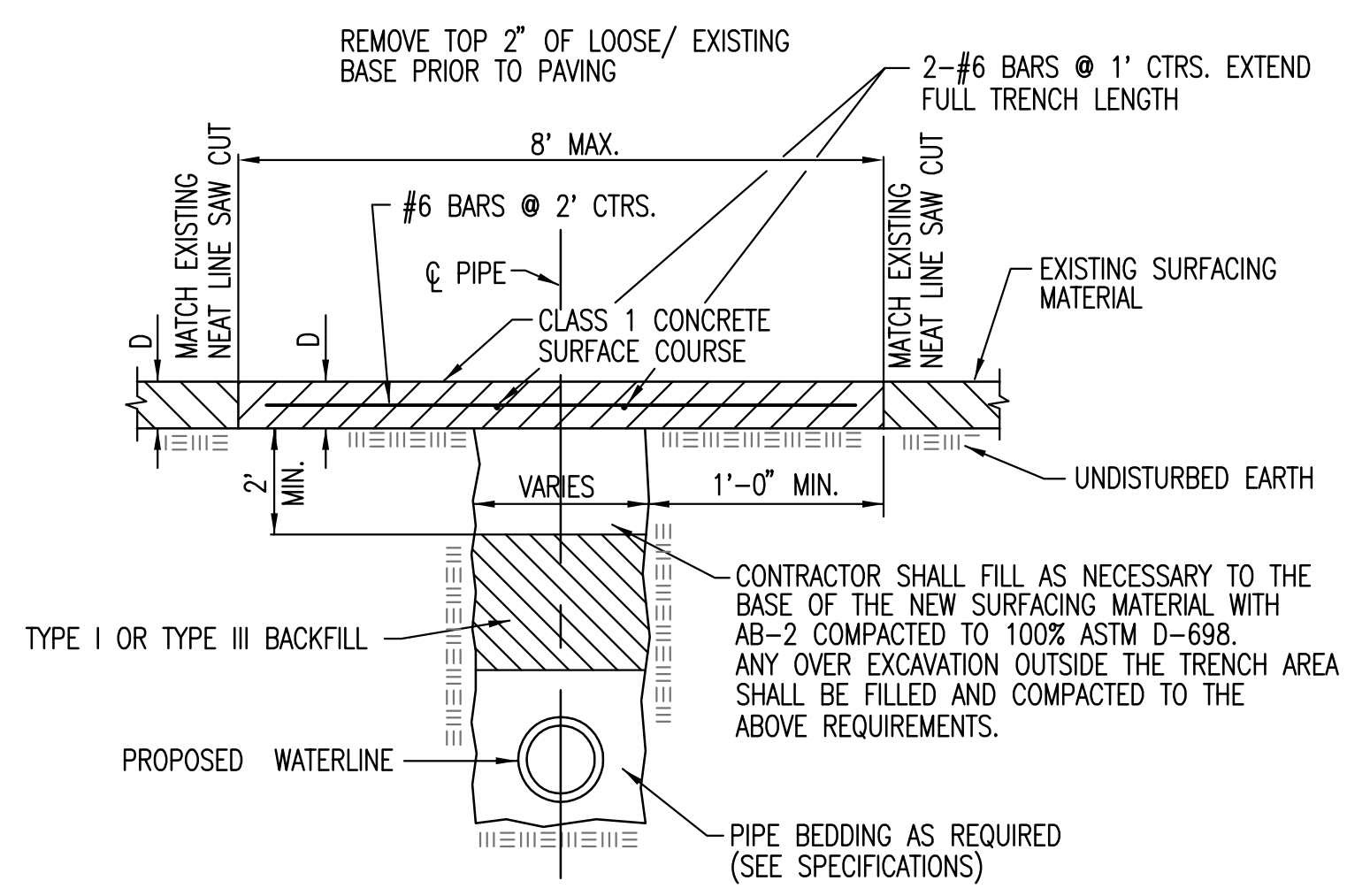
Note:
 Services will be bid on a per each basis.
 No adjustment in cost will be made for modifications to the approximate length as shown. Minimum depth of bury 42".

Contractor shall verify existing service line size prior to installing services.

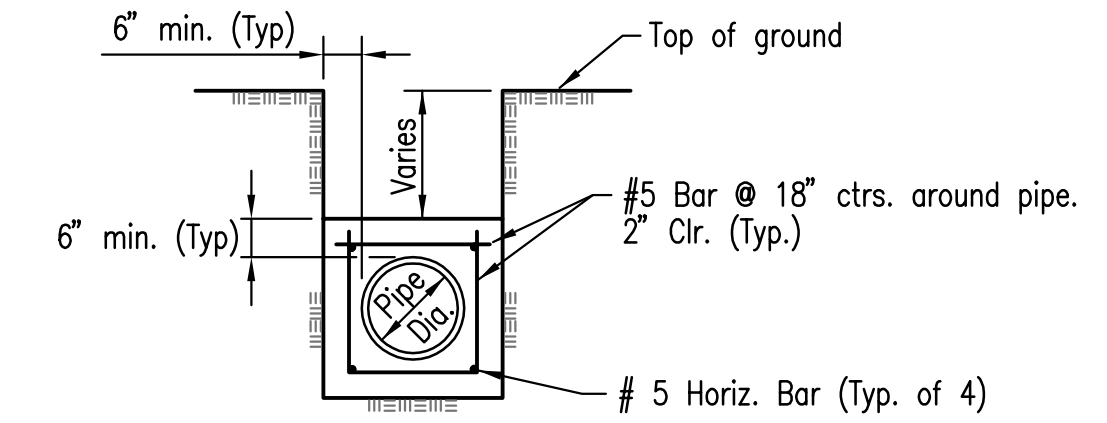
* The Water Meter, Meter Setter, Meter Box, Ring and Lid shall be re-used and reset unless damaged or determined unsuitable for use by the Construction Engineer or his representative. The Contractor will provide the new service materials as needed. All new service materials shall be in accordance with City of Wichita, Kansas Standard Specifications.



ASPHALT PAVEMENT REMOVAL AND REPLACEMENT DETAIL

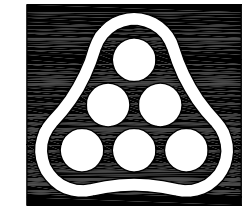


PAVEMENT REMOVAL AND REPLACEMENT DETAIL



CONCRETE ENCASEMENT DETAIL

Sowed 12-31-2008 10:47:54 AM by MJC
 Plot Scale 1:1 01-02-2009 9:51:01 AM
 G:\2009\05787\001\Phase C\05787-001-Phase1C-C-WaterlineDetail.dwg



No.	Revision	By	Date
SOUTHEAST 48" WATERLINE - PHASE 1C WASHINGTON/WATERMAN TO LEWIS/IDA WATERLINE DETAILS JAMES L. ARMOUR, P.E. - CITY ENGINEER CITY OF WICHITA PROJECT NO. 448-90417 Professional Engineering Consultants, P.A. 303 S. TOPEKA • WICHITA, KANSAS 67202 316-262-2691 • FAX 316-262-3003			
Designed by	MDK, EJB	Job No.	35-05787-001-42
Drawn by	CSL	Date	March 2006
			Sht. W6 of 23