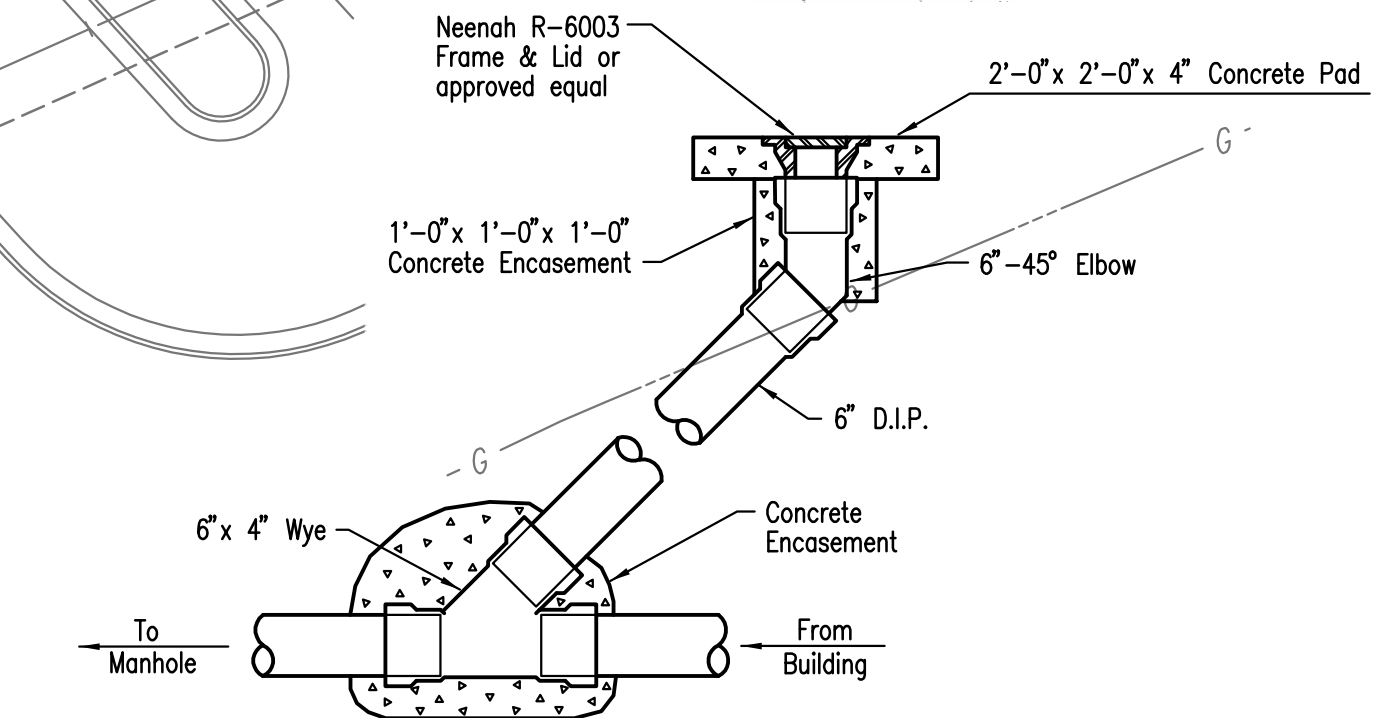
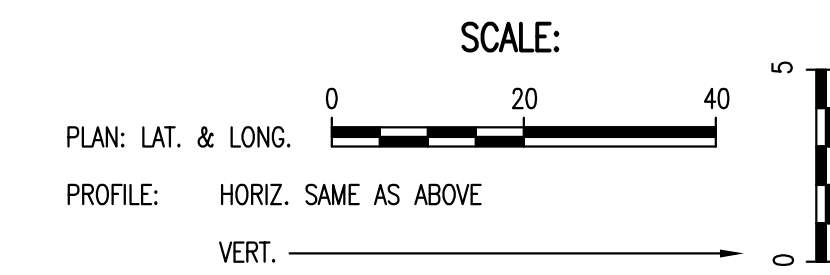
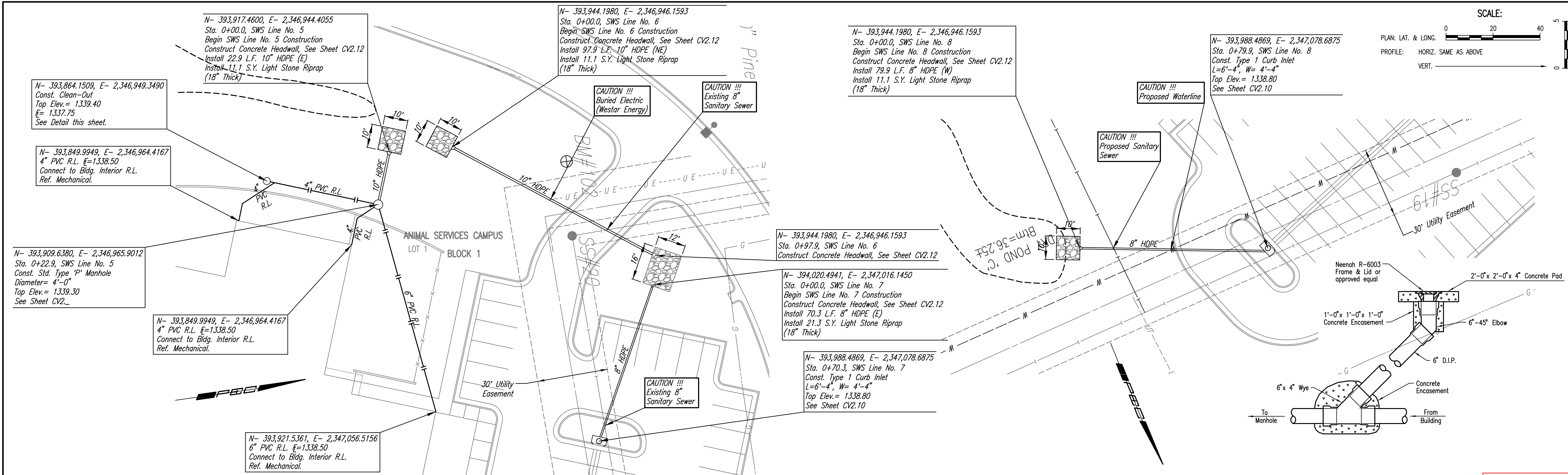


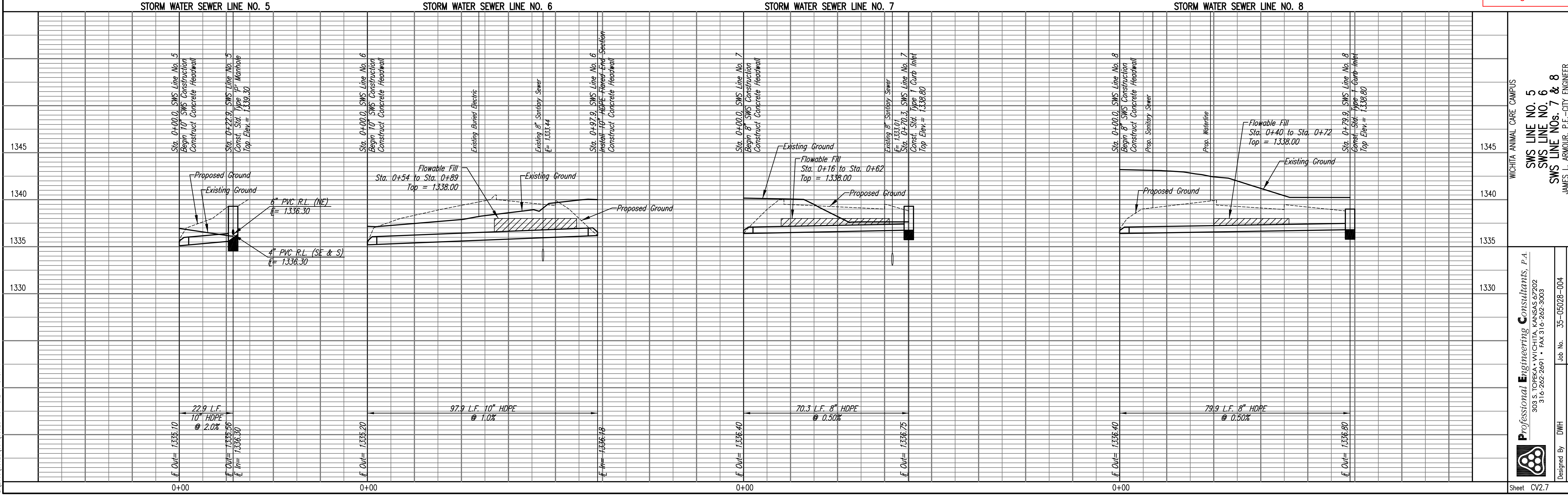
| | | |
|------|---------|------|
| PLAN | CHECKED | DATE |
| | CHECKED | |
| BY | | |

| | | |
|---------|---------|------|
| PROFILE | CHECKED | DATE |
| | CHECKED | |
| BY | | |

Served 01-17-2008 3:04:18 PM by AFE
 Plot Scale 1:20' 0" = 1" 0" 20' 0" AM by AFE
 01/20/08 10:04:00 04/05/08-04-CV2-7-SWSPP4



**Built As Planned.
No Changes Made.**



WICHITA ANIMAL CARE CAMPUS
SWS LINE NO. 5
SWS LINE NO. 6
SWS LINE NOS. 7 & 8
 JAMES L. ARMOUR, P.E. - CITY ENGINEER
 CITY OF WICHITA, PRIVATE PROJECT NO. 1837 PPS (607861)
 Professional Engineering Consultants, P.A.
 303 S. TORREY, WICHITA, KANSAS 67202
 316-262-2091 • FAX 316-262-3003
 Designed By: DWH
 Drawn By: SAW
 Job No.: 35-05028-004
 Date: November 2007
 Sheet CV2.7