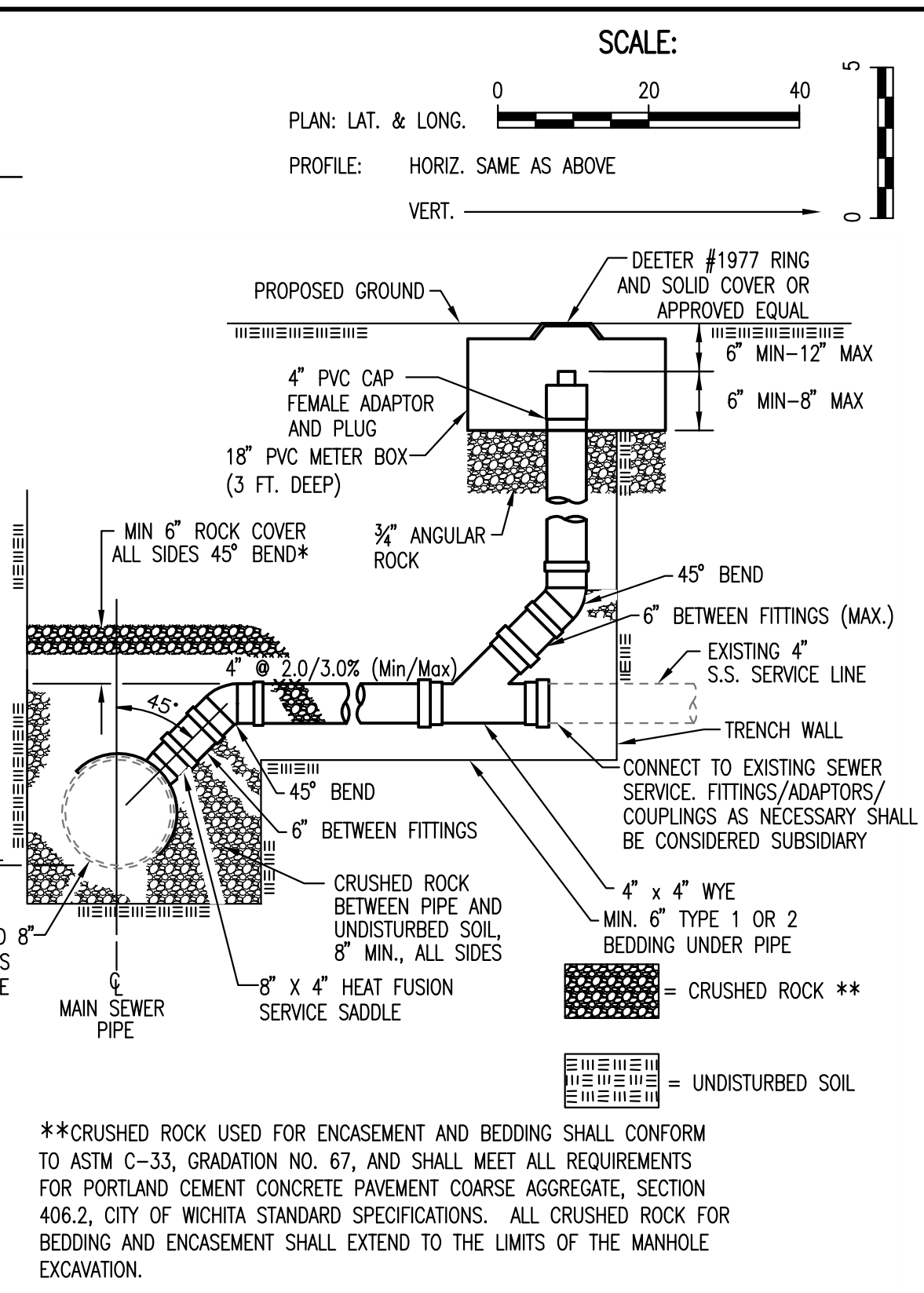
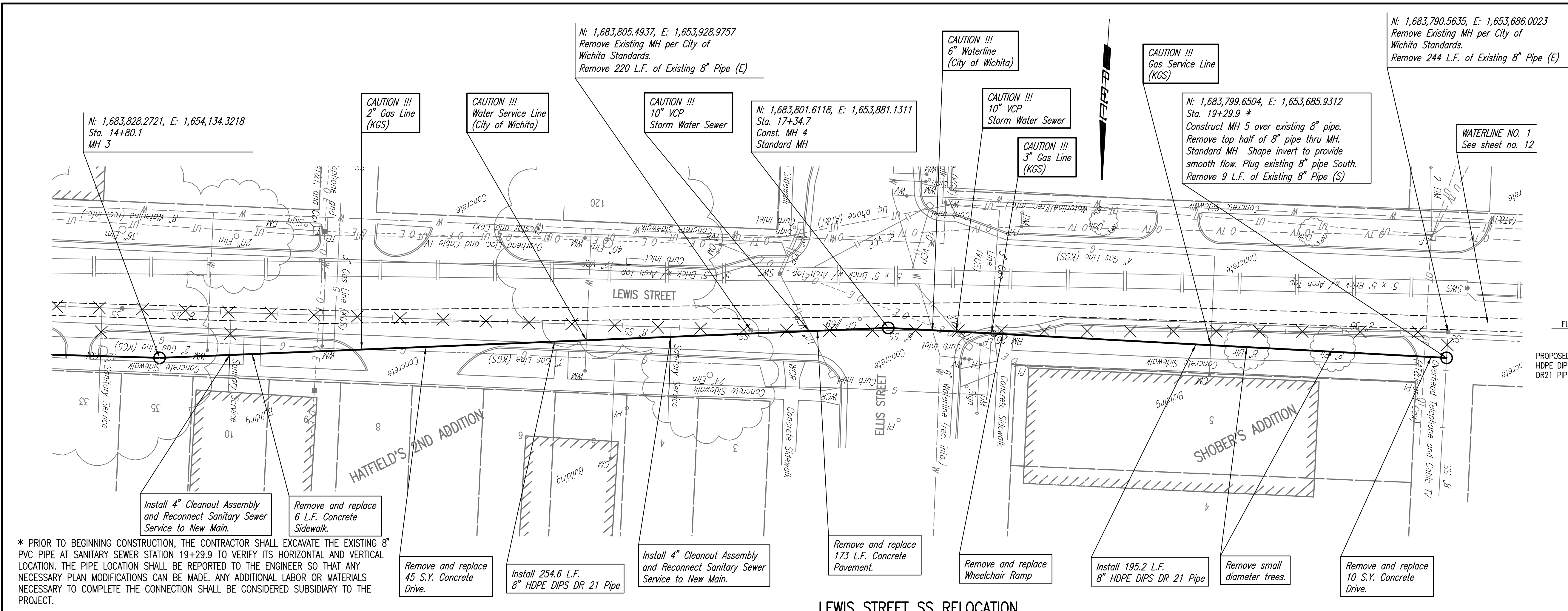


PLAN	CHECKED	DATE
	CHECKED	



**4" CLEANOUT ASSEMBLY DETAIL AND SERVICE DETAIL**

\* 4" CLEANOUT ASSEMBLY AND SERVICE PIPE ARE PAID FOR ON A PER EACH BASIS AND INCLUDES ALL PIPE AND MATERIALS FROM THE SANITARY SEWER MAIN TO THE  $\epsilon$  OF THE CLEANOUT AND/OR CONNECTION TO THE EXISTING SERVICE PIPE.

\*\* ALL 4" PVC PIPING SHALL BE SDR 35.

X = Denotes Pipe/Manholes to be removed

PROFILE	CHECKED	DATE
	CHECKED	



**Professional Engineering Consultants, P.A.**  
 933 S. TOPICKA AVENUE, WICHITA, KANSAS 67202  
 316-262-2691 • FAX 316-262-3003

**JAMES L. ARMOUR, P.E. - CITY ENGINEER**  
 CITY OF WICHITA PROJECT NO. 448-90417

Job No. 35-07704-000  
 Date March 2008

Designed By MDK, EJB  
 Drawn By JAN

Sheet 26 of 38

Printed: 02-03-2009 10:42:04 AM by: JLN  
 Plot Scale: 1:20 02-03-2009 2:05:05 PM  
 Q:\2007\07704\000\PHASE 2A\07704-000-C-SSPR02