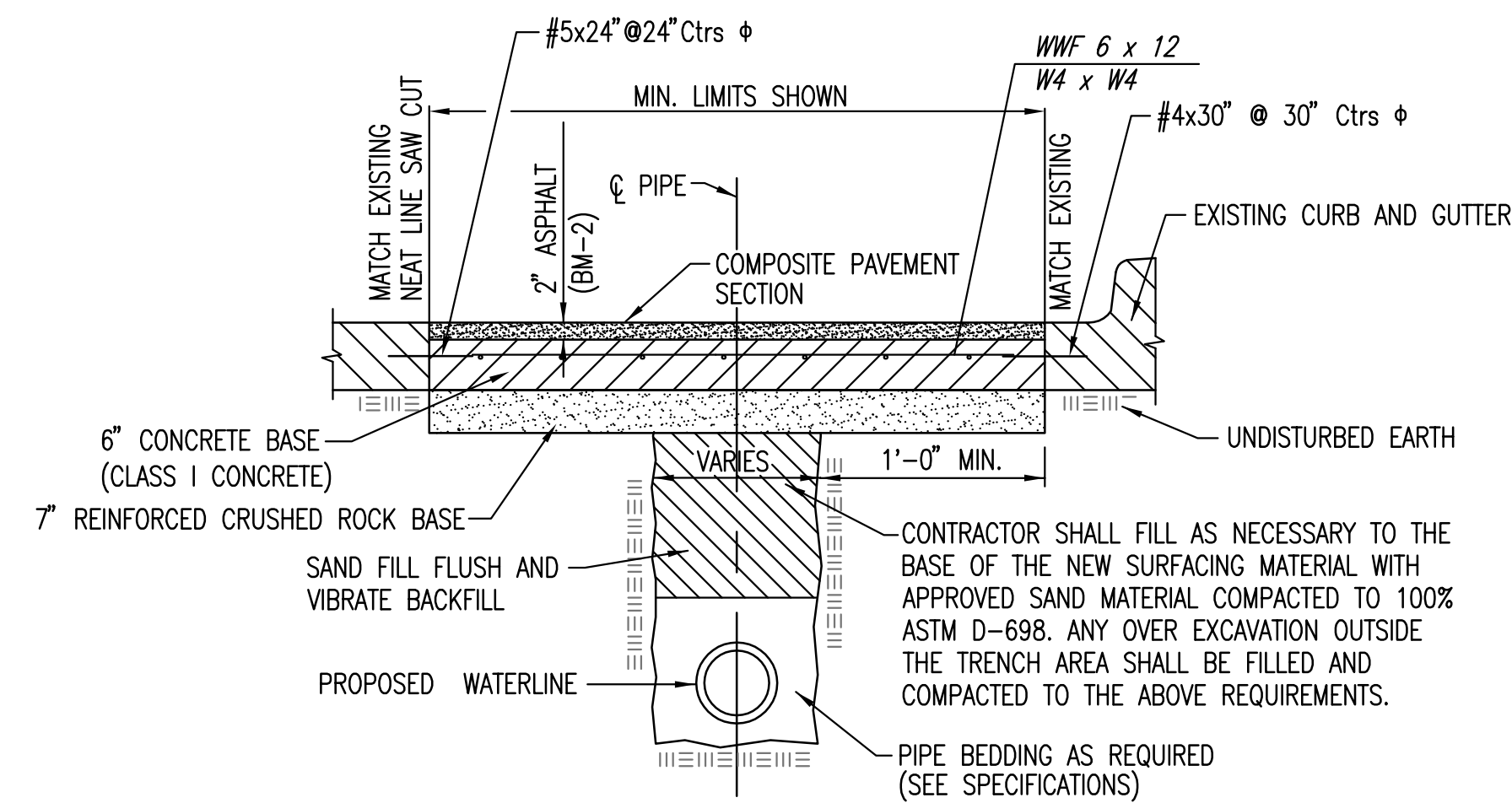
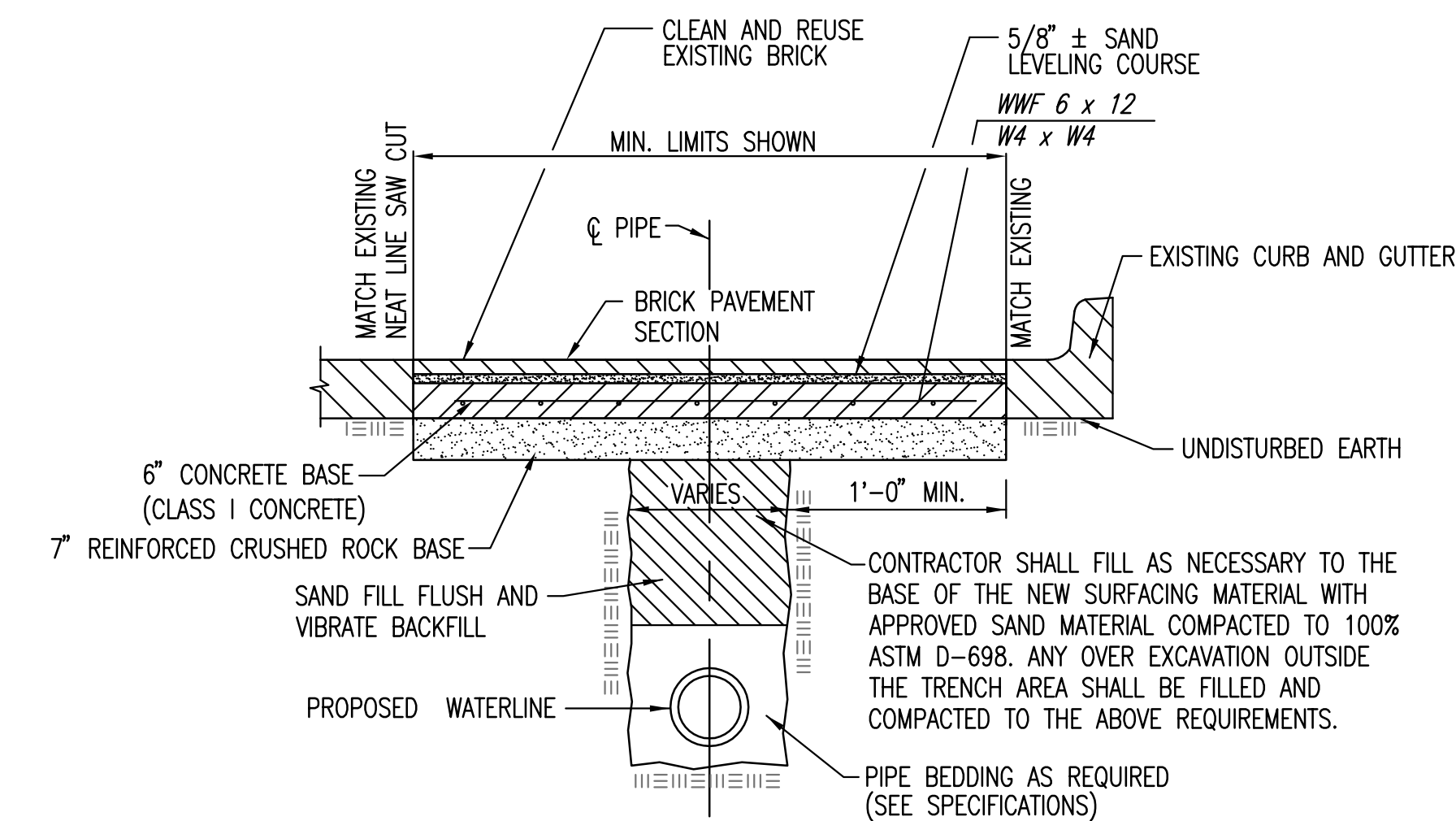


**CONCRETE PAVEMENT REMOVAL AND REPLACEMENT DETAIL**

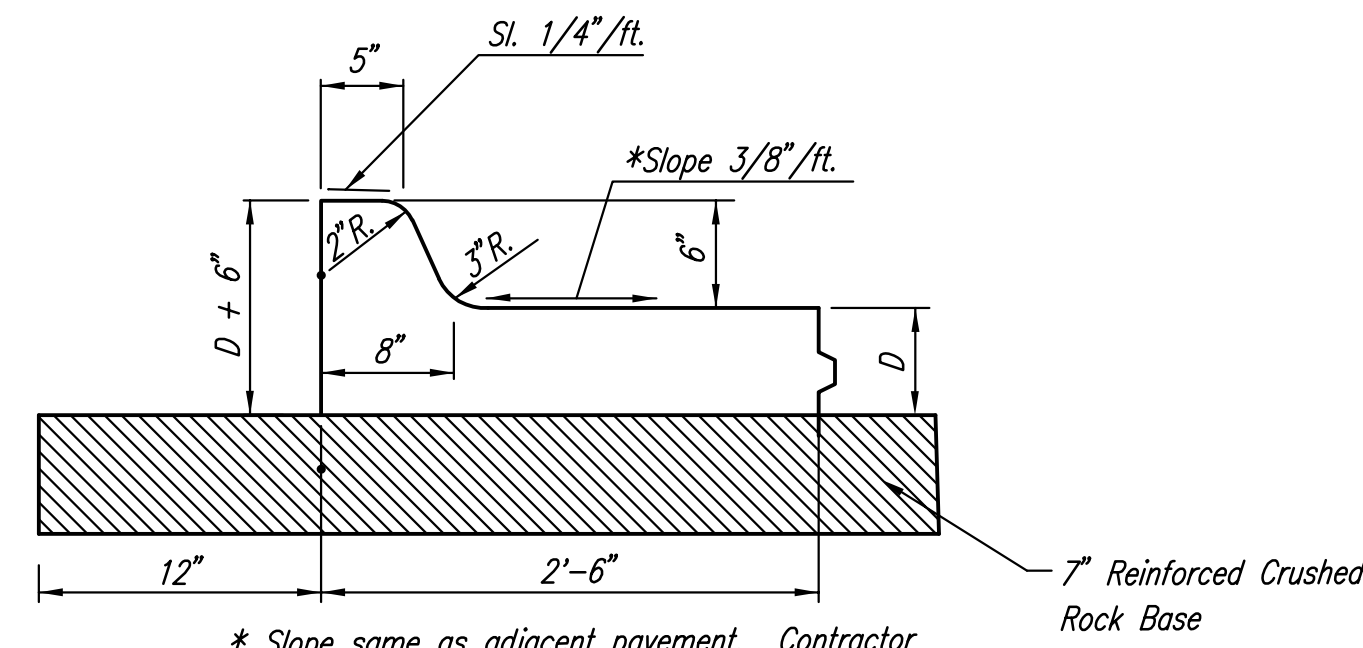
NOTE: CONTRACTOR SHALL SAW CUT AND SEAL JOINT LINES TO MATCH THE EXISTING JOINT PATTERN.



**COMPOSITE PAVEMENT REMOVAL AND REPLACEMENT DETAIL**

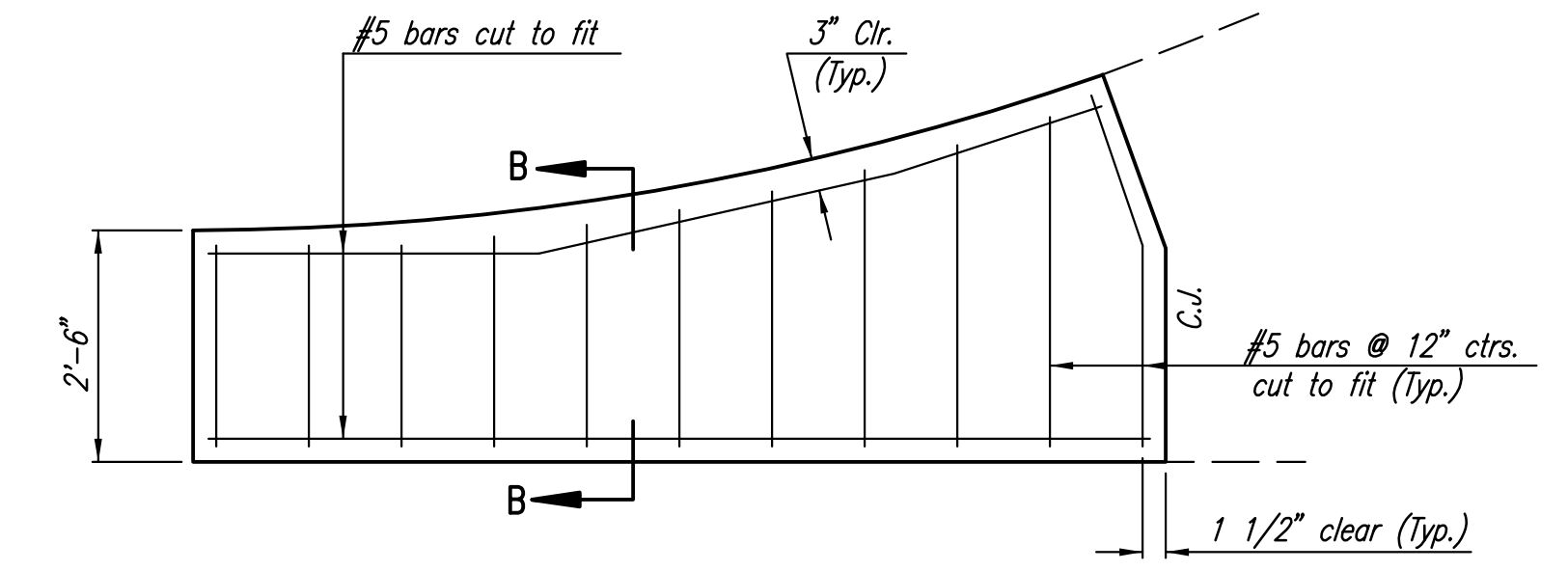


**BRICK PAVEMENT REMOVAL AND REPLACEMENT DETAIL**



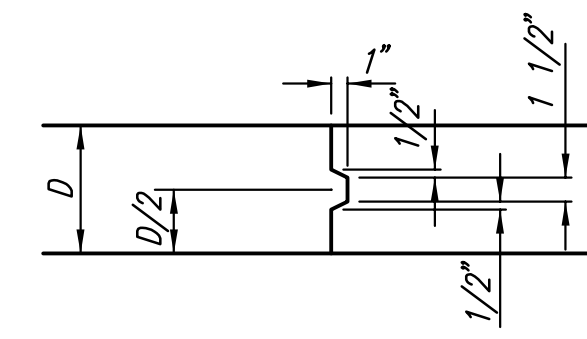
**COMBINED CURB AND GUTTER**

\* Slope same as adjacent pavement. Contractor shall verify direction of slope with final grading.

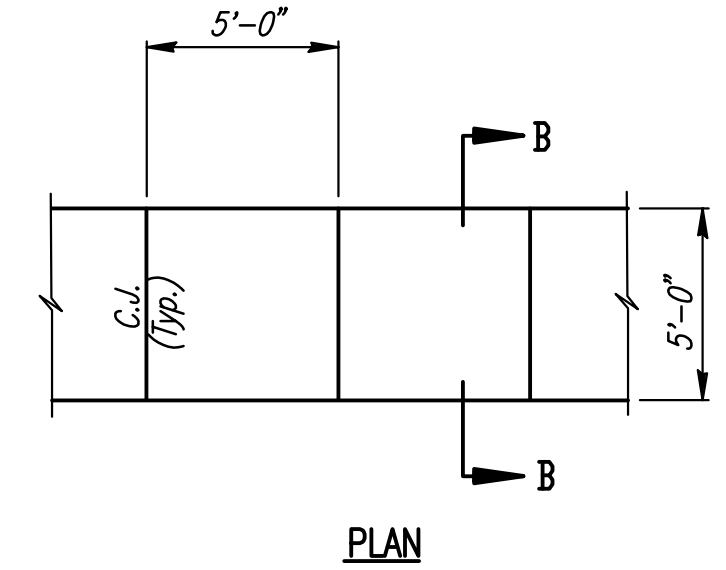


**WING REINFORCING DETAIL**

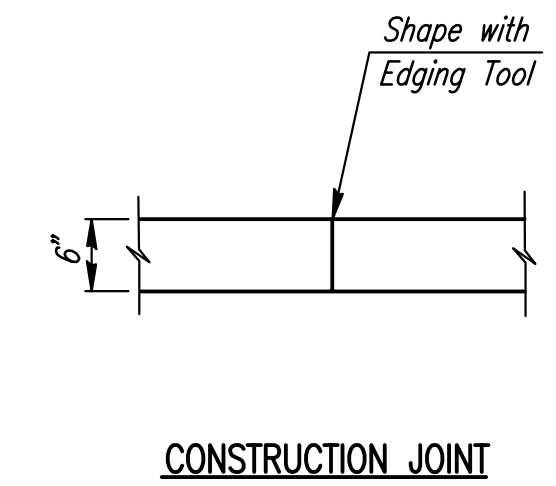
NOTE: OMIT WIRE FABRIC REINFORCING IN THIS SECTION.



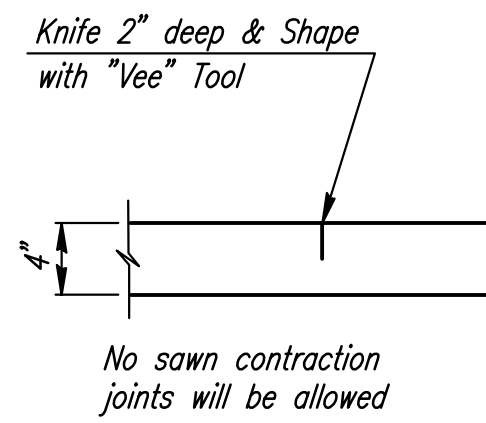
**KEYWAY DETAIL**



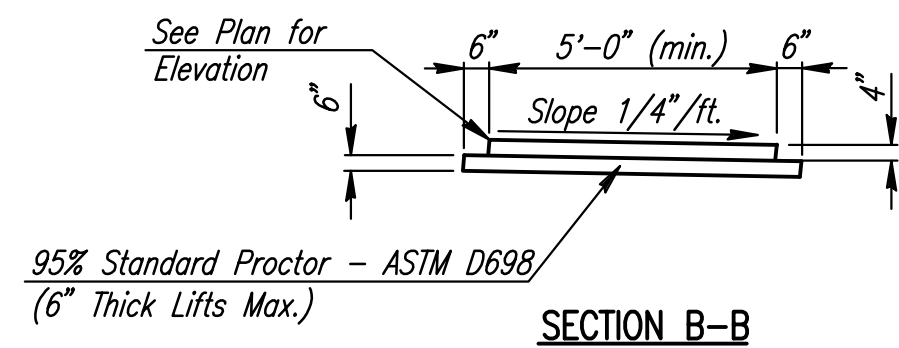
**PLAN**



**CONSTRUCTION JOINT**

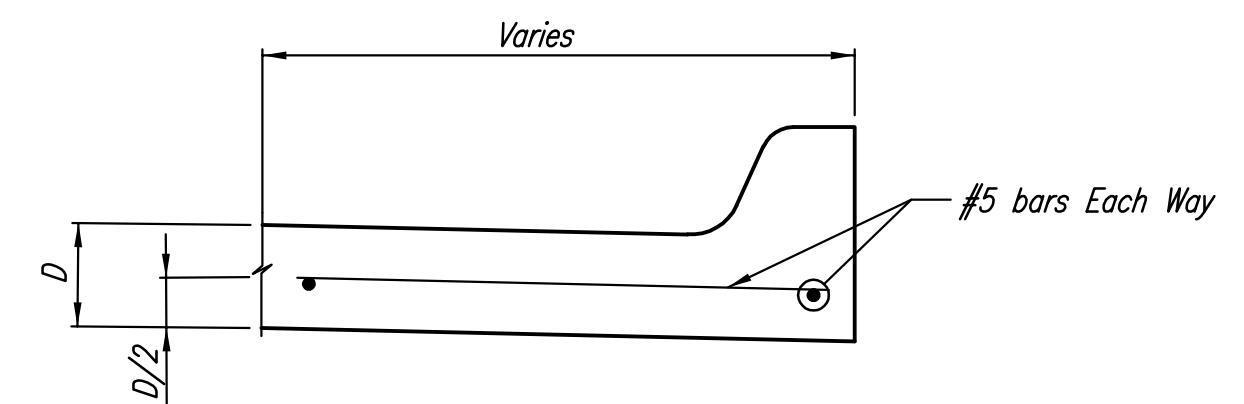


**CONTRACTION JOINT**

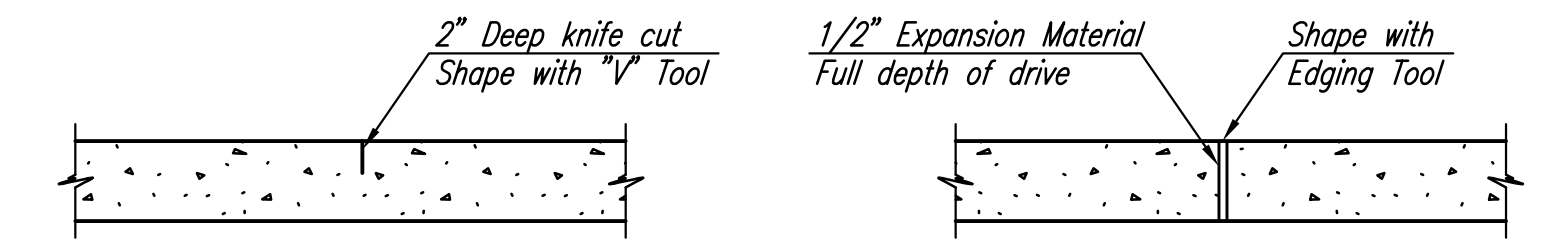


**SECTION B-B**

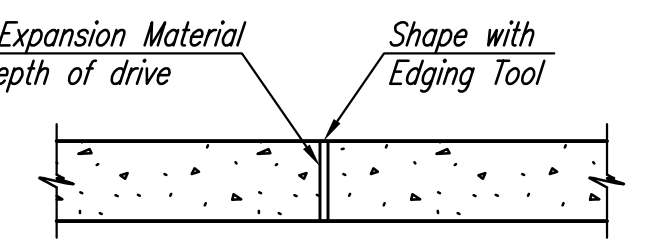
**SIDEWALK DETAILS**



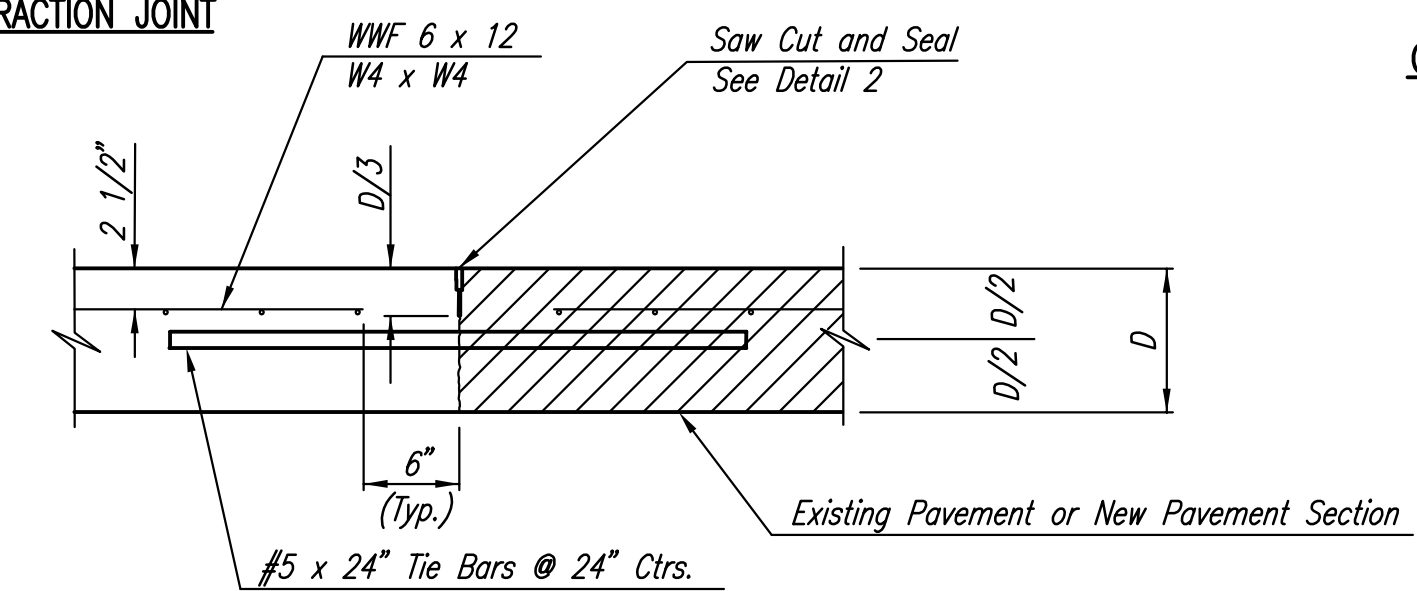
**SECTION B-B**



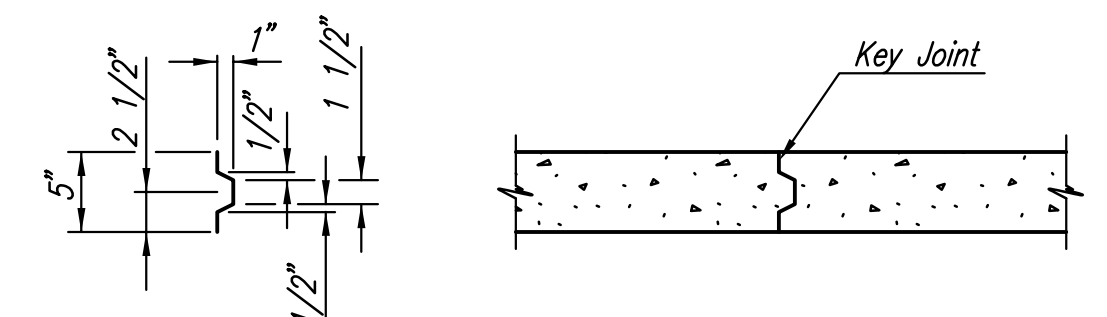
**CONTRACTION JOINT (Cj) OR LONGITUDINAL JOINT (Lj)**



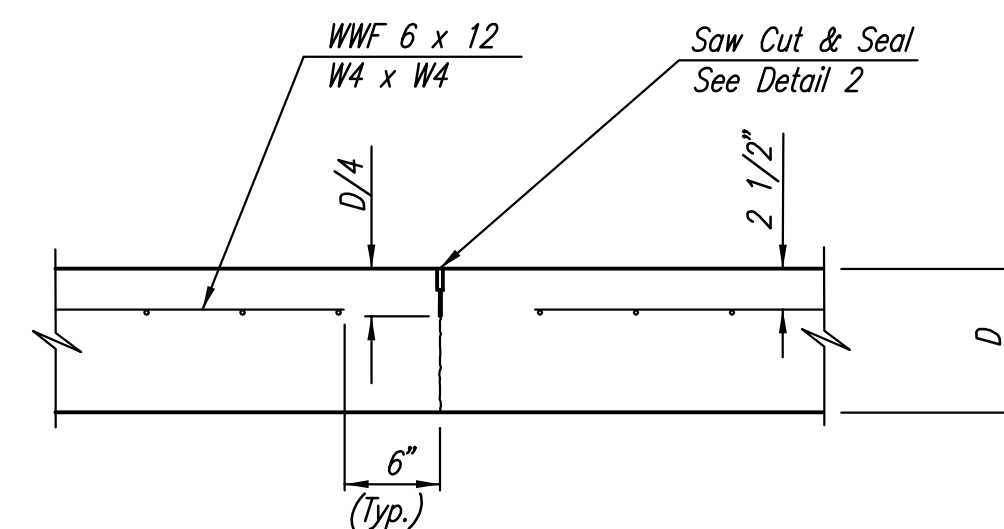
**EXPANSION JOINT (Ej)**



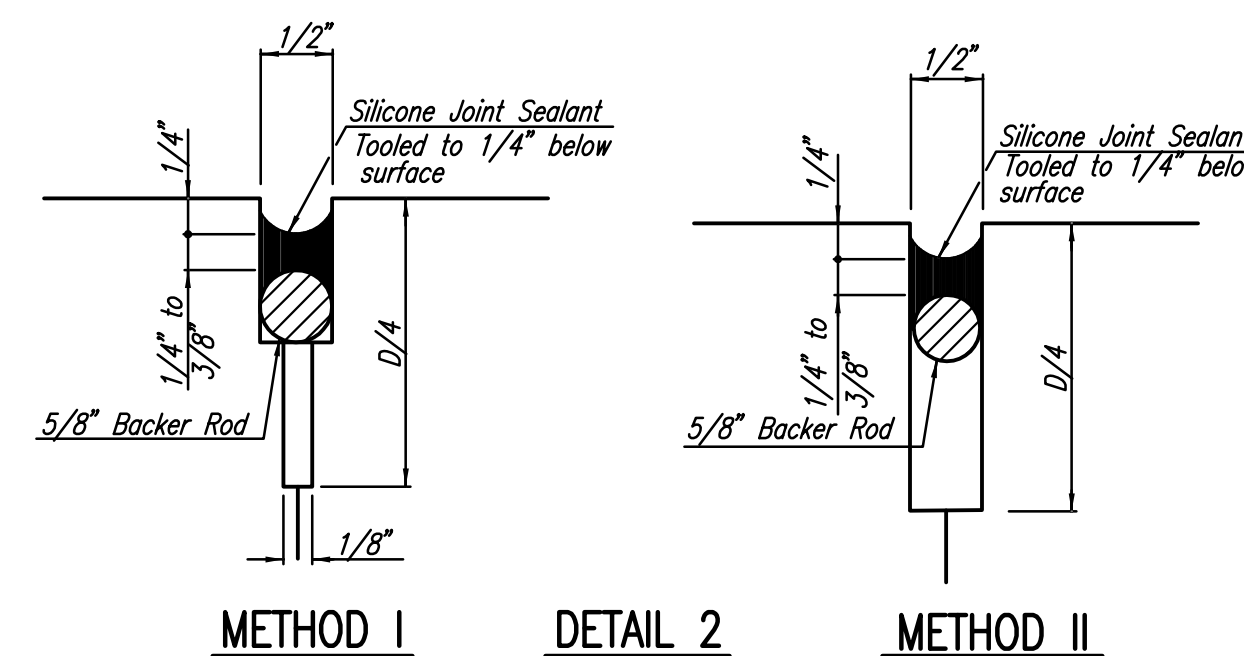
**LONGITUDINAL JOINT DETAIL REINFORCED PAVEMENT (TRANSVERSE SECTION) (L.J.)**



**ALT. LONGITUDINAL CONSTRUCTION JOINT**



**CONTRACTION JOINT DETAIL REINFORCED PAVEMENT (C.J.)**



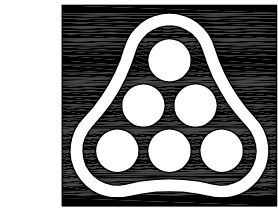
**METHOD I**

**DETAIL 2**

**METHOD II**

**JOINT DETAILS FOR CONCRETE DRIVES**

Scaled 02-02-2009 9:14:48 AM by JAN  
 Plot Scale 1:1 02-03-2009 2:03:18 PM  
 Q:\2007\07704\000\PHASE 2A\07704-000-C-PavementDetails



No.	Revision	By	Date
SOUTHEAST 45" WATERLINE - PHASE 2A LEWIS/IDA TO LEWIS/GREEN <b>MISCELLANEOUS PAVEMENT DETAILS</b> JAMES L. ARMOUR, P.E. - CITY ENGINEER CITY OF WICHITA PROJECT NO. 448-90417 <b>Professional Engineering Consultants, P.A.</b> 303 S. TOPKA • WICHITA, KANSAS 67202 316-262-2691 • FAX 316-262-3003			
Designed by	MDK, EJB	Job No.	35-07704-000
Drawn by	CSL, JAN	Date	March 2008
			Sht. 35 of 38