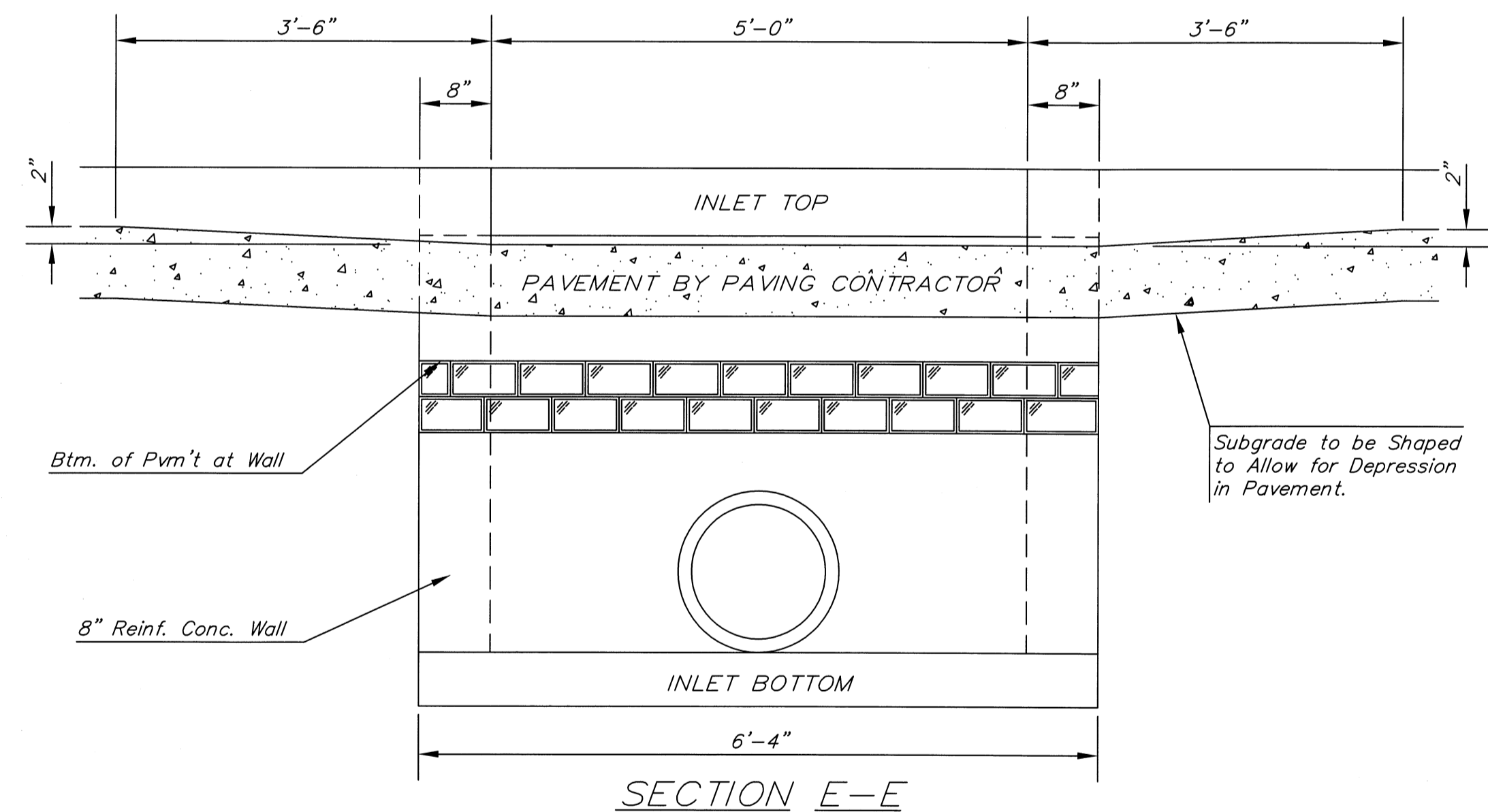
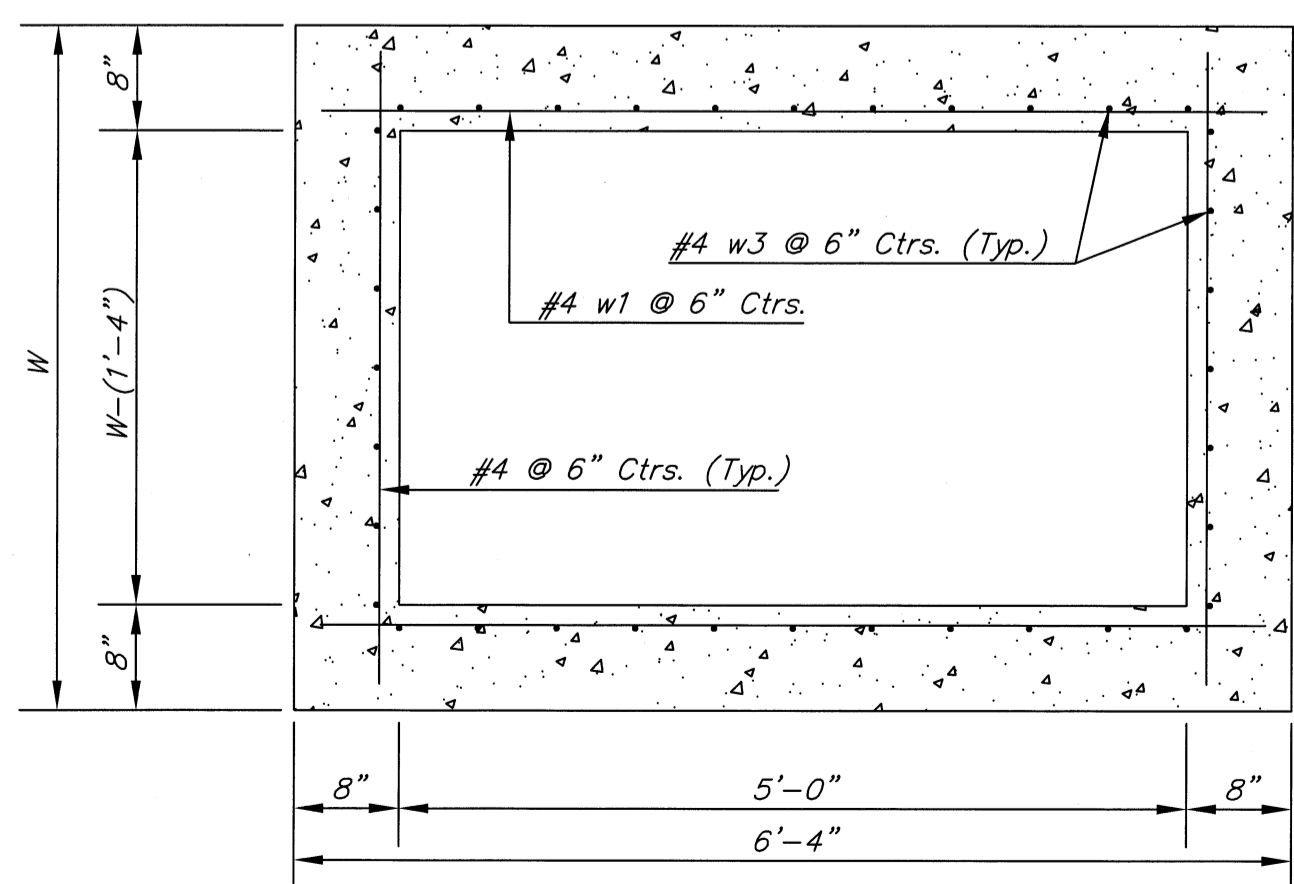


PLAN



SECTION E-E



SECTION D-D

NOTE: Inlet Top Reinforcing shall be Spaced on 6" Max. Centers. Inlet Lids Shall be Notched Out as Indicated to Facilitate Construction of Curb.

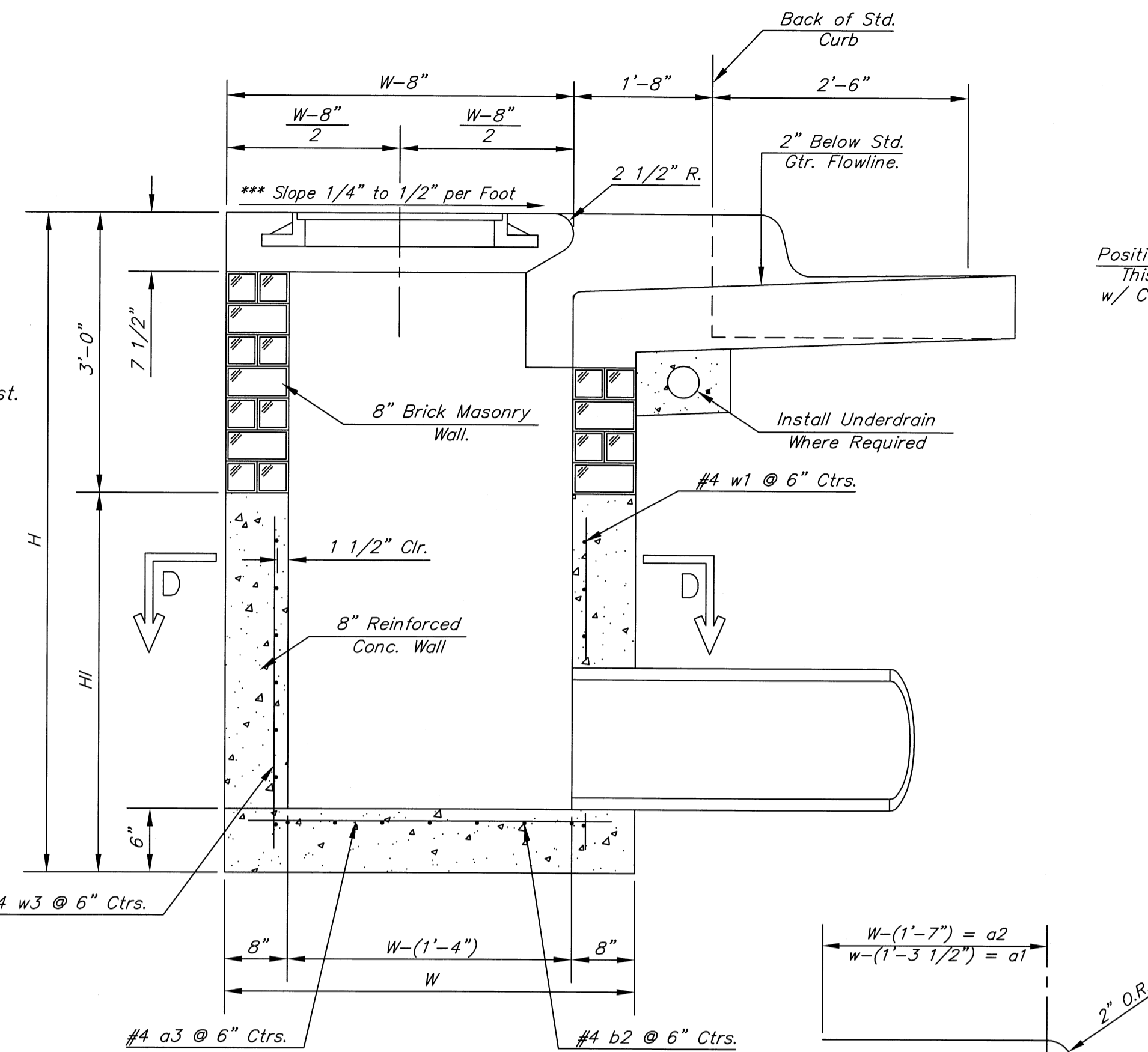
NOTE: Concrete Tops to be installed on thin mortar cushion to insure full support along brick walls. Concrete tops may be cast in place or precast. Concrete used for inlet construction shall be concrete pavement mix with air entrainment.

NOTE: Contractor shall have the option of constructing 8" brick masonry walls between the concrete inlet base and top on this inlet when W=6'-4" and H=7'-0" or more.

Additional curb and gutter construction necessary to connect set-back inlet to pavement will be paid for at the unit price bid for each inlet hookup.

Inlet invert shall be shaped with 8 sack sand mix concrete to create flow channels and to increase hydraulic efficiency such that the inlet will be self-cleaning between all inlet and/or outlet pipes.

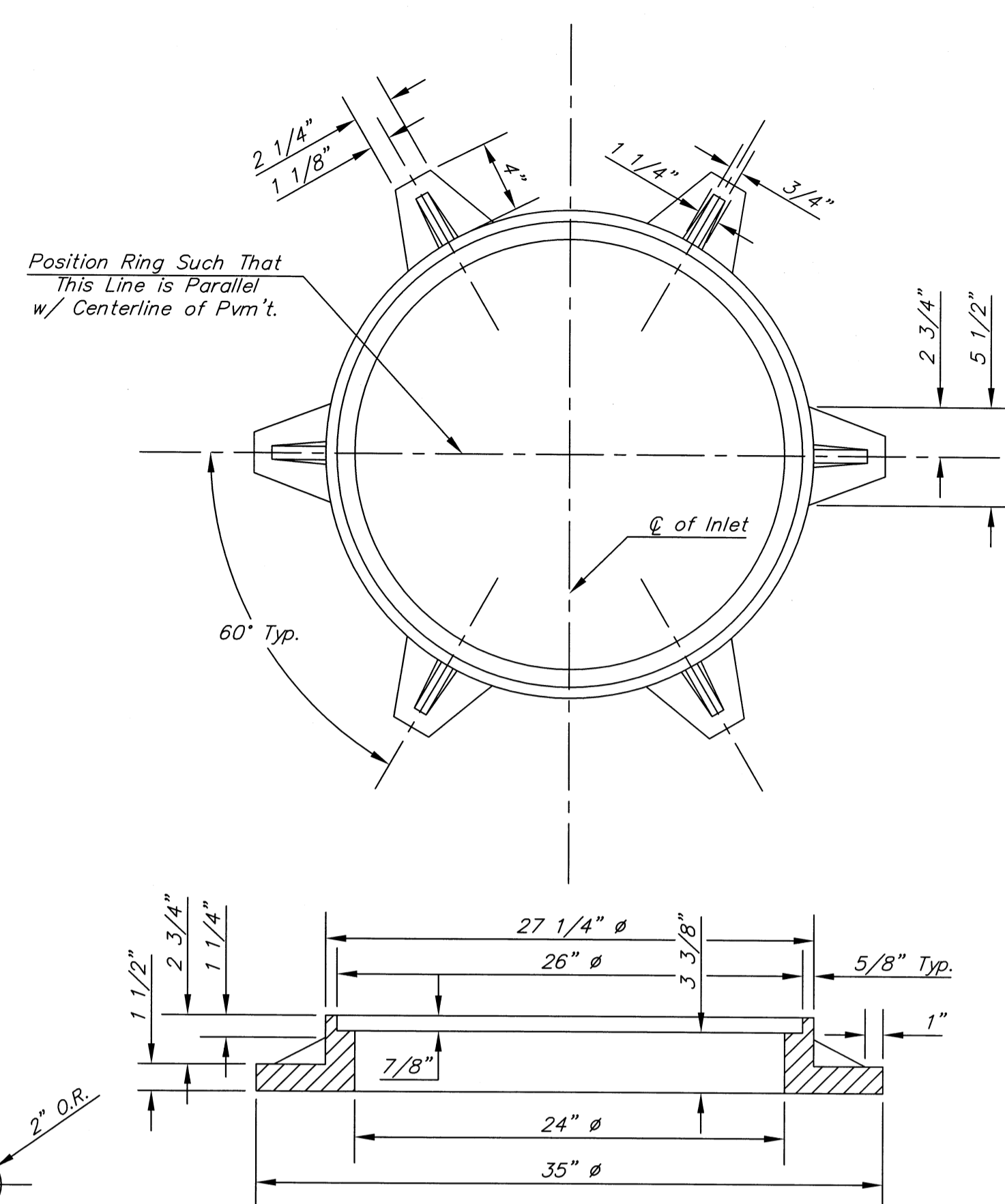
The ends of all pipes installed in inlets shall be cut off flush with the inside face of the inlet wall



SECTION A-A

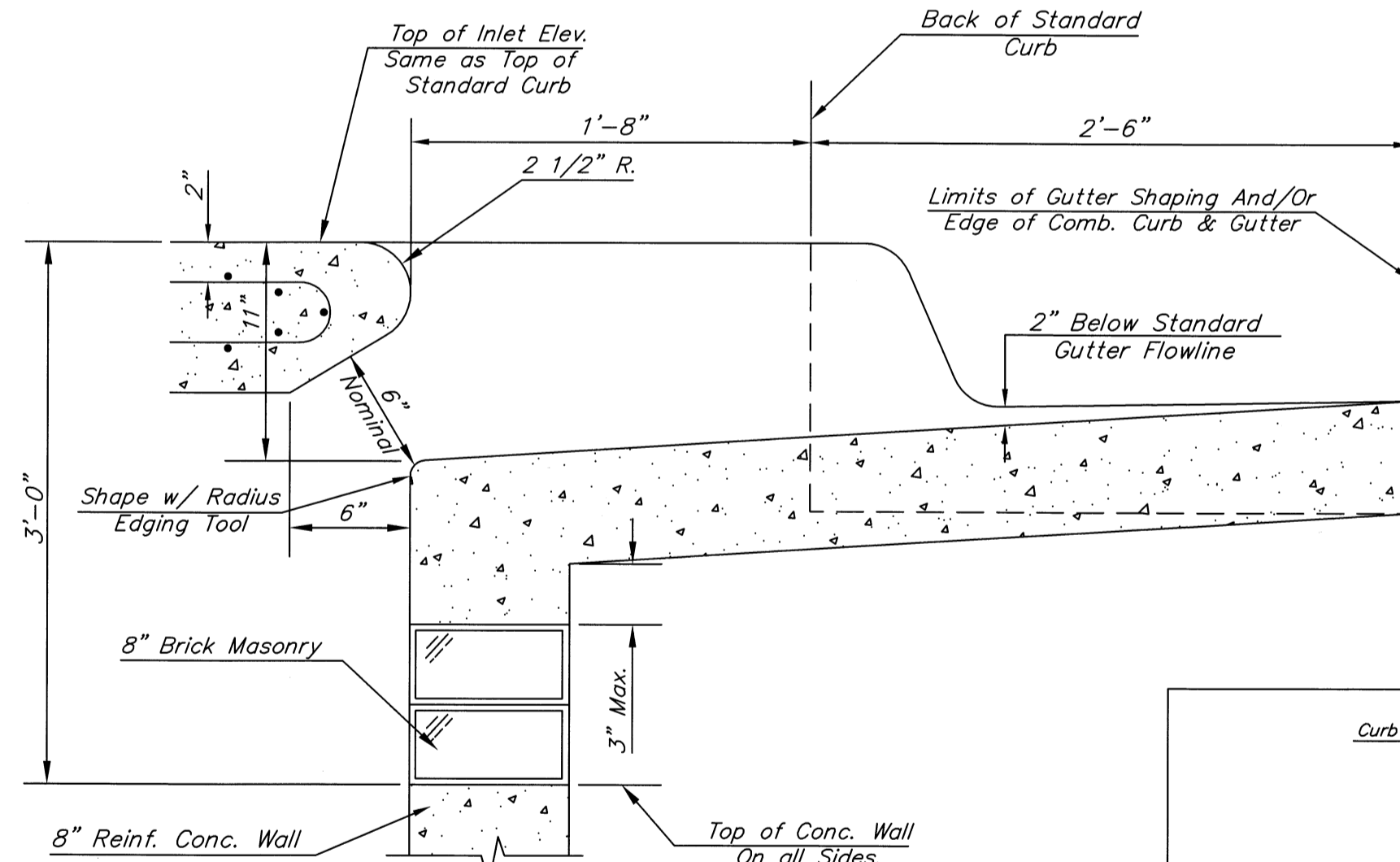
***NOTE: Slope of Inlet tops to Match Sidewalk or Parking Slopes within Limits Indicated.

BENDING DIAGRAM

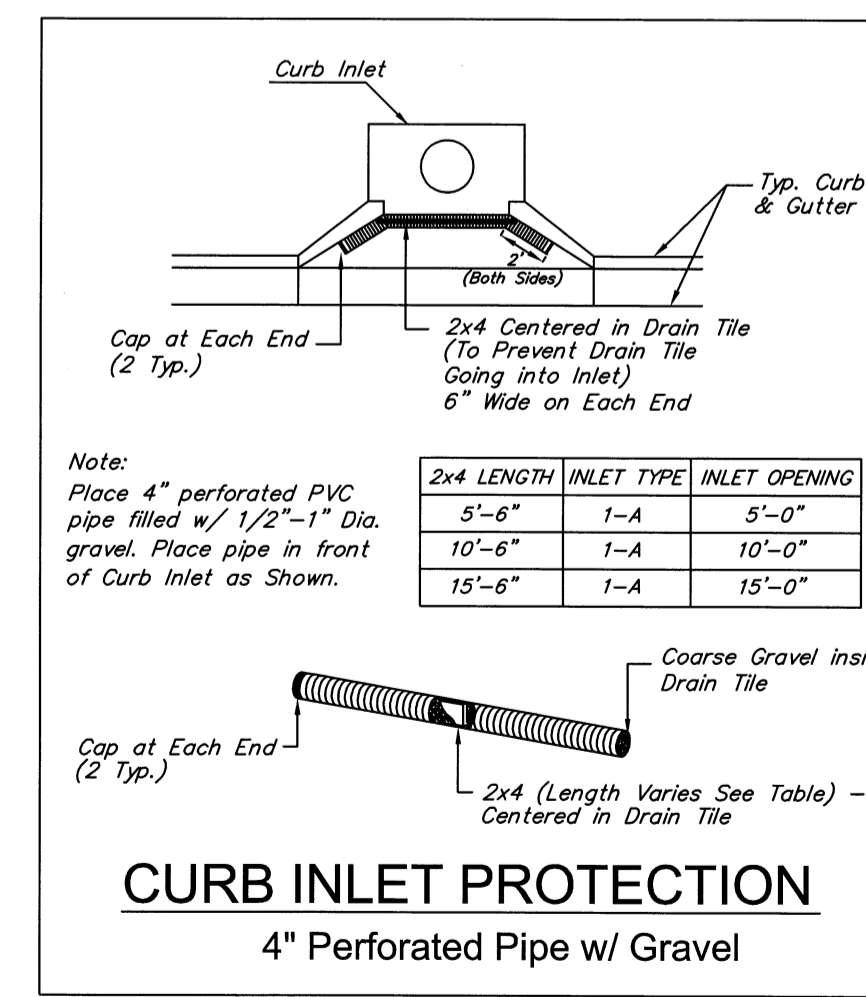


MANHOLE RING AND COVER

Weight = 180 Lbs.
*See City of Wichita Standard Manhole Ring and Cover Detail Sheet for Cover Details to Be Used With Inlet Frame.



SECTION B-B



CURB INLET PROTECTION
4" Perforated Pipe w/ Gravel

| PRECAST SLAB AND FLOOR REINFORCING | | | | | | | | | | | |
|------------------------------------|------|-----------|--------|-----------|--------|-----------|--------|-----------|--------|-----------|--------|
| MARK | SIZE | W = 3'-0" | | W = 4'-0" | | W = 5'-0" | | W = 6'-0" | | W = 7'-0" | |
| | | NO. | LENGTH | NO. | LENGTH | NO. | LENGTH | NO. | LENGTH | NO. | LENGTH |
| * a1 | #4 | 6 | 6'-2" | 6 | 8'-7" | 6 | 10'-7" | 6 | 12'-7" | 6 | 14'-7" |
| a2 | #4 | 4 | 6'-0" | 4 | 8'-0" | 4 | 10'-0" | 4 | 12'-0" | 4 | 14'-0" |
| a3 | #4 | 13 | 4'-1" | 13 | 5'-1" | 13 | 6'-1" | 13 | 7'-1" | 13 | 8'-1" |
| b1 | #4 | 1 | 4'-9" | 1 | 4'-9" | 1 | 4'-9" | 1 | 4'-9" | 1 | 4'-9" |
| * b2 | #4 | 23 | 6'-1" | 29 | 6'-1" | 35 | 6'-1" | 41 | 6'-1" | 47 | 6'-1" |
| x1 | #4 | 8 | 3'-10" | 8 | 4'-2" | 8 | 4'-6" | 8 | 4'-10" | 8 | 5'-2" |

| WALL REINFORCING | | | | | | | | | | | |
|------------------|------|-----------|--------|-----------|--------|-----------|--------|-----------|--------|-----------|--------|
| MARK | SIZE | W = 3'-0" | | W = 4'-0" | | W = 5'-0" | | W = 6'-0" | | W = 7'-0" | |
| | | NO. | LENGTH | NO. | LENGTH | NO. | LENGTH | NO. | LENGTH | NO. | LENGTH |
| w1 | #4 | ① | 6'-1" | ① | 6'-1" | ① | 6'-1" | ① | 6'-1" | ① | 6'-1" |
| w2 | #4 | ① | 4'-1" | ① | 5'-1" | ① | 6'-1" | ① | 7'-1" | ① | 8'-1" |
| w3 | #4 | 32 | ② | 36 | ② | 40 | ② | 44 | ② | 48 | ② |

* Field Bend or Cut Reinforcing as Required for Clearance.
① 4 (Hl - 12") (Hl - 21") Rounded down to nearest 0.5"
② Hl - 3"

| STANDARD CURB INLET PRECAST TOPS | | | |
|----------------------------------|------------------------|---------------|---------------|
| W | PRE-CAST TOP SIZE | PIPE SIZE | CU. YD. CONC. |
| 3'-0" | 3'-8" x 6'-4" x 7 1/2" | 21" & SMALLER | 0.38± |
| 4'-0" | 4'-8" x 6'-4" x 7 1/2" | 24" & 30" | 0.51± |
| 5'-0" | 5'-8" x 6'-4" x 7 1/2" | 36" & 42" | 0.64± |
| 6'-0" | 6'-8" x 6'-4" x 7 1/2" | 48" & 54" | 0.77± |
| 7'-0" | 7'-8" x 6'-4" x 7 1/2" | 60" & 66" | 0.90± |

CITY OF WICHITA PUBLIC WORKS ENGINEERING

STANDARD TYPE 1-A CURB INLET 5'-0" OPENING

CITY ENGINEER
JAMES L. ARMOUR, P.E., L.S.

KEM NO. 08138 OCA NUMBER XXXXXX DATE 10/2008

CITY ENGINEER'S OFFICE
CITY HALL - SEVENTH FLOOR
455 NORTH MAIN STREET
WICHITA, KANSAS 67202-1620
(316) 268-4501
(316) 268-4114 FAX

DESIGN DRAWN SHEET
3 OF 7

REV. 5-10-06

TYPE 1-A INLET, L=5'.DWG