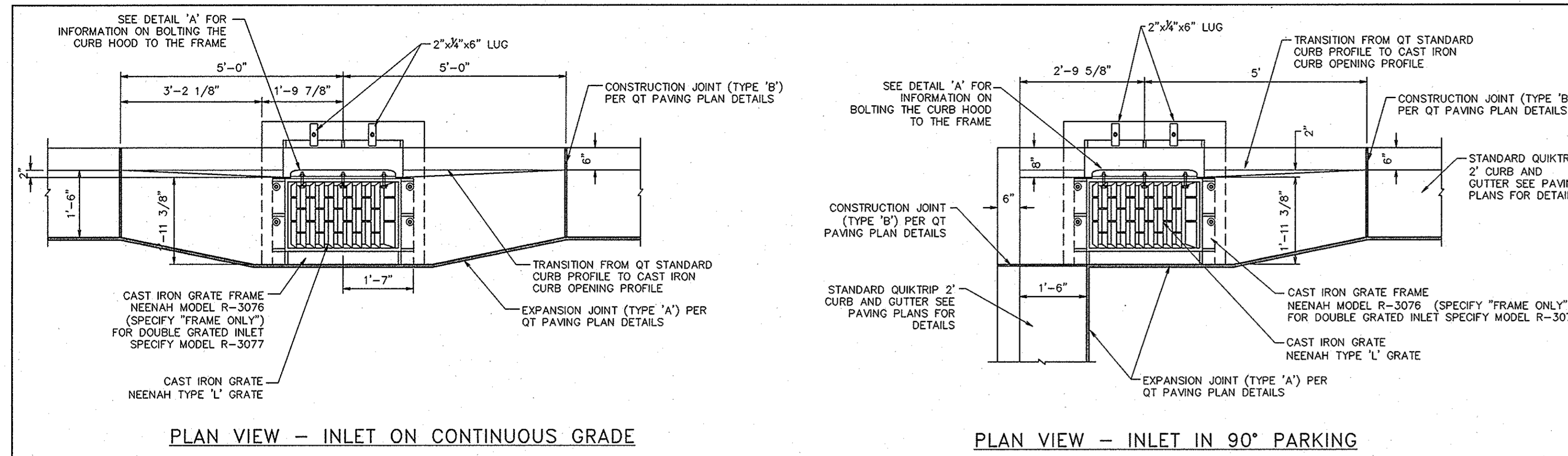
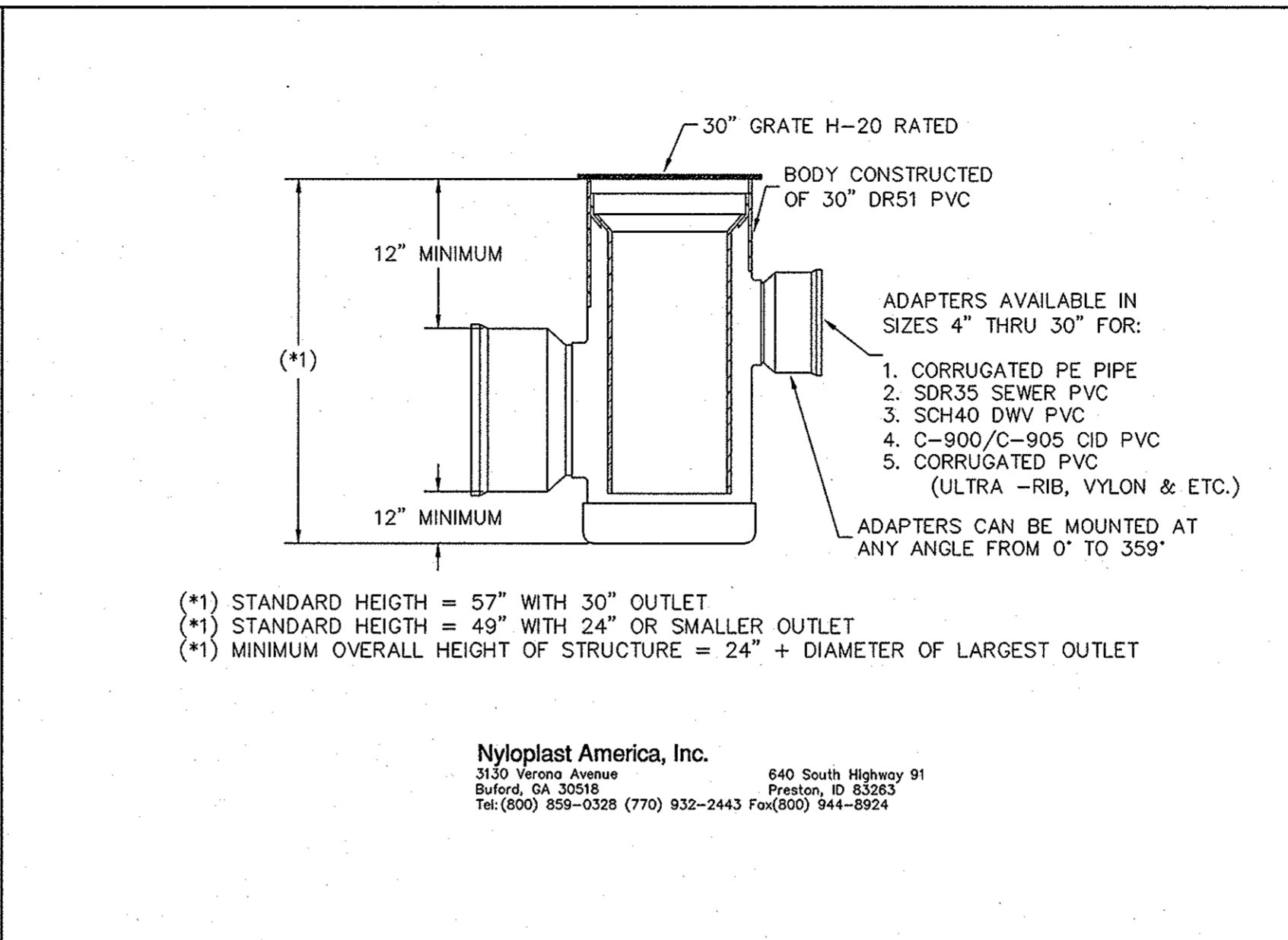
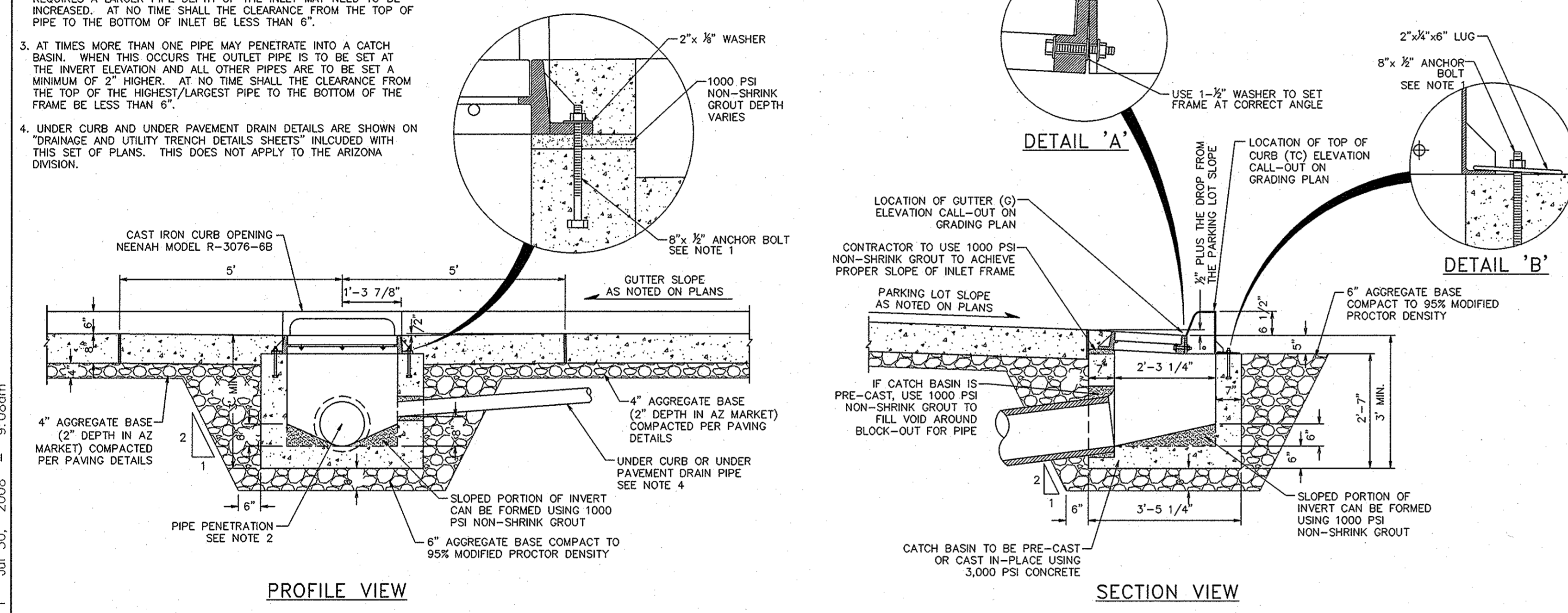


G:\OT\106-0021 Wichita-KS\Drawings\Civil\Details\316 City SWS Details 6-7.dwg - Sheet 1 Jul 30, 2008 - 9:06am



- NOTES:**
1. CONTRACTOR CAN SUBSTITUTE HILTI DRILLED BOLT SYSTEM FOR ANCHOR BOLT SET IN CONCRETE FOR EASE OF CONSTRUCTION
 2. 12" PIPE IS THE MINIMUM PIPE SIZE ACCEPTED BY QUIKTRIP. PIPE TYPE MAY VARY BY REGION AND MUNICIPALITY. IF HYDRAULICS REQUIRES A LARGER PIPE DEPTH OF THE INLET MAY NEED TO BE INCREASED. AT NO TIME SHALL THE CLEARANCE FROM THE TOP OF PIPE TO THE BOTTOM OF INLET BE LESS THAN 6".
 3. AT TIMES MORE THAN ONE PIPE MAY PENETRATE INTO A CATCH BASIN. WHEN THIS OCCURS THE OUTLET PIPE IS TO BE SET AT THE INVERT ELEVATION AND ALL OTHER PIPES ARE TO BE SET A MINIMUM OF 2" HIGHER. AT NO TIME SHALL THE CLEARANCE FROM THE TOP OF THE HIGHEST/LARGEST PIPE TO THE BOTTOM OF THE FRAME BE LESS THAN 6".
 4. UNDER CURB AND UNDER PAVEMENT DRAIN DETAILS ARE SHOWN ON "DRAINAGE AND UTILITY TRENCH DETAILS SHEETS" INCLUDED WITH THIS SET OF PLANS. THIS DOES NOT APPLY TO THE ARIZONA DIVISION.



DS 1-2
NOT TO SCALE

Nyoplast America, Inc.
3150 Verona Avenue
Suwanee, GA 30086
Tel: (900) 859-0328 (770) 832-2443 Fax: (900) 844-8924

30" DRAIN BASIN WITH BAFFLE DETAIL

DS1-1
NOT TO SCALE

CATCH BASIN INLET DETAIL

Revision				
No.	1	2	3	4
Date				

QuikTrip 316
DRAINAGE STRUCTURE - 1
CITY OF WICHITA, KANSAS
JIM ARMOUR, P.E. - CITY ENGINEER

BSW INTERNATIONAL ENGINEERS, P.C.
ONE WEST THIRD ST., STE. 800
WICHITA, KS 67202
PHONE (616) 265-4271
FAX (616) 587-3594
CERTIFICATE OF AUTHORITY NO. E-510
EXPIRATION DATE 12/31/2008

Designed By: J. Crisp
Drawn By: J. Bradford
BSW Job No.: 106-0021
Date: 07/30/08

Sheet
6 of 9