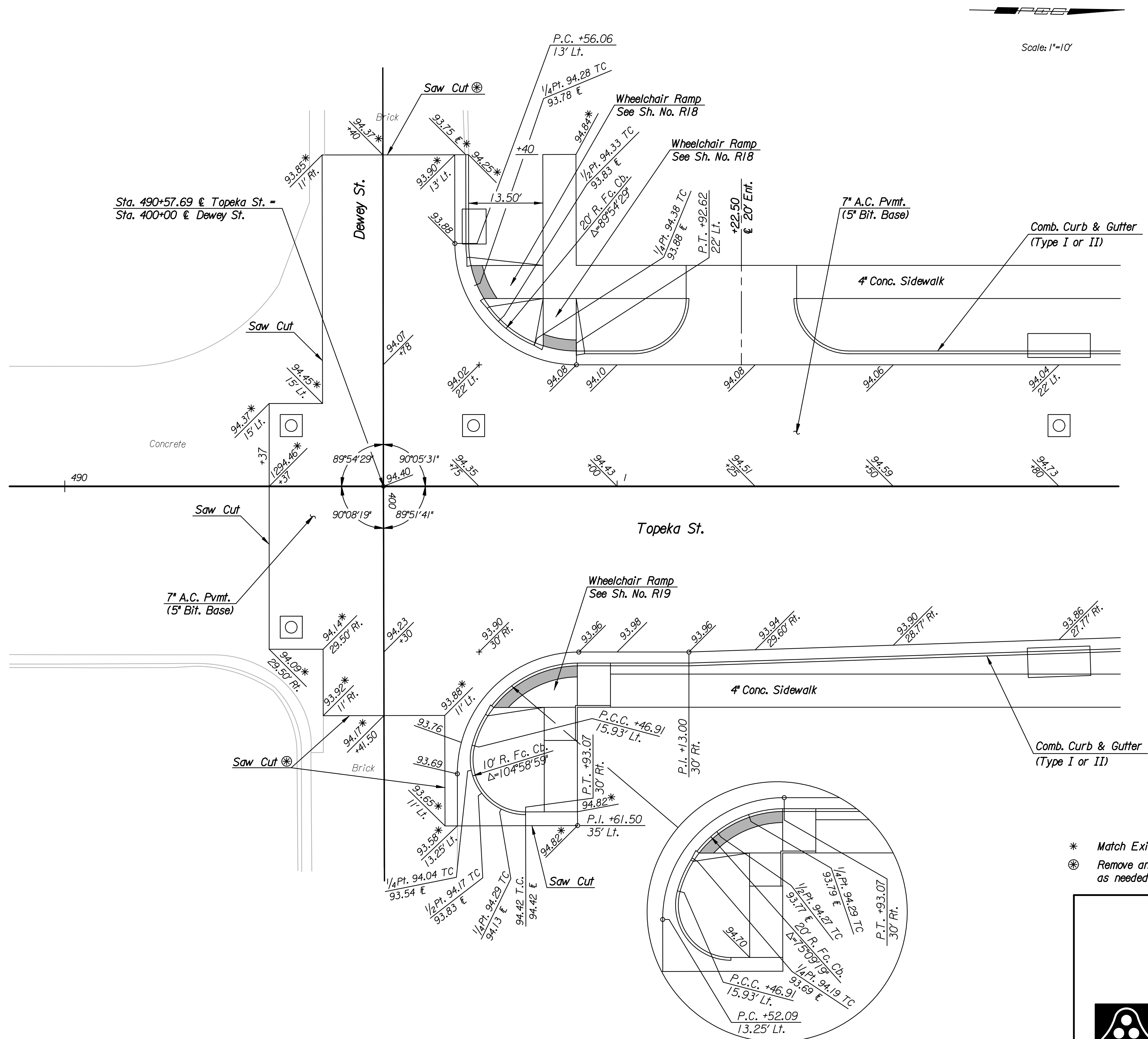


Plotted By: svb Date: 2/20/2009 11:57:59 AM
 FILE: I:\2008\08457\Intersection\08457-Int-dewey.dgn



Scale: 1"=10'

LEGEND

- * Match Existing
- ⊗ Remove and Reset Existing Brick Pavers as needed for tie-in. (Subsidiary)

TOPEKA STREET		By	Date
INTERSECTION DETAIL TOPEKA AND DEWEY			
JAMES L. ARMOUR, P.E.—CITY ENGINEER CITY OF WICHITA PROJECT NO. 472-84745			
Professional Engineering Consultants, P.A. 303 S. TOPEKA • WICHITA, KANSAS 67202 316-262-2691 • FAX 316-262-3003			
Designed by	DRM	Job No.	08457
Drawn by	AKL	Date	Feb., 2009
			Sht. R10 of R52

