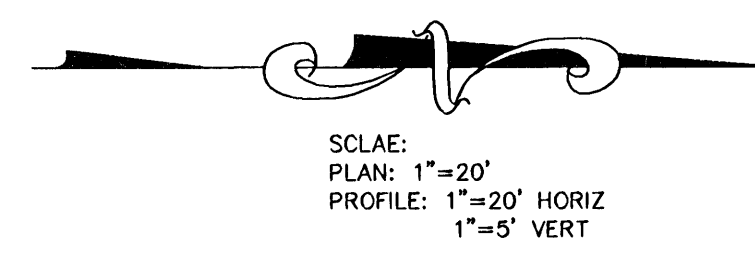
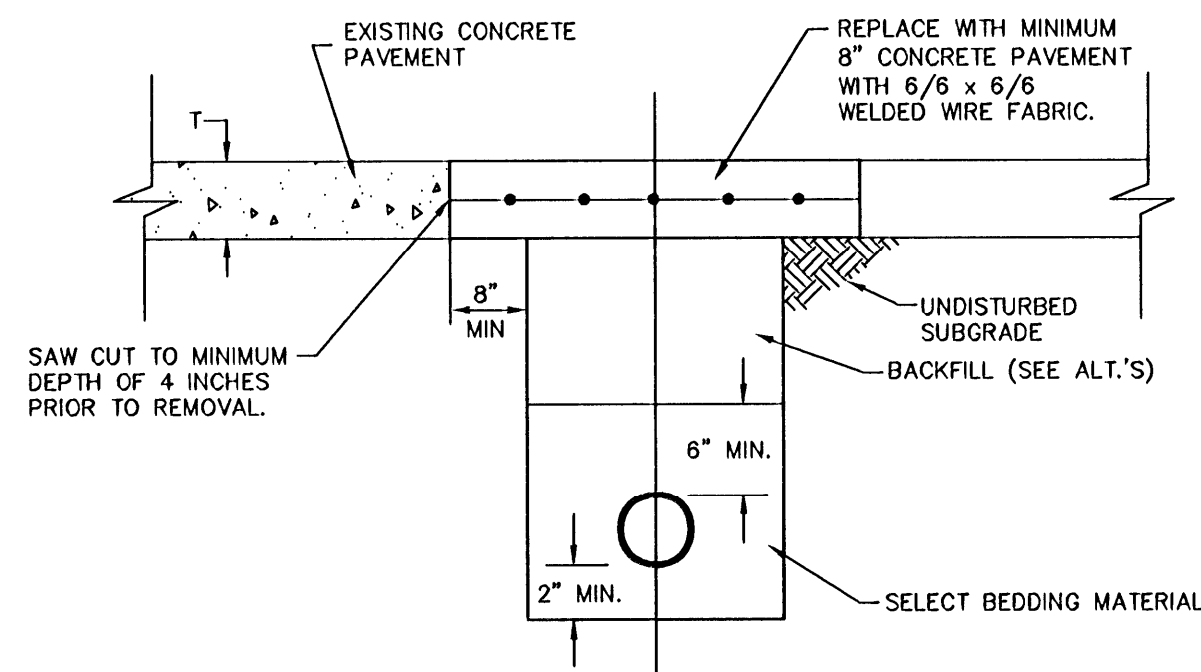


NOTE: CITY WILL MAKE THE TAP. CONTRACTOR SHALL REIMBURSE THE CITY \$ 1,400.00 FOR THE COST OF THE TAPPING SLEEVE AND VALVE.

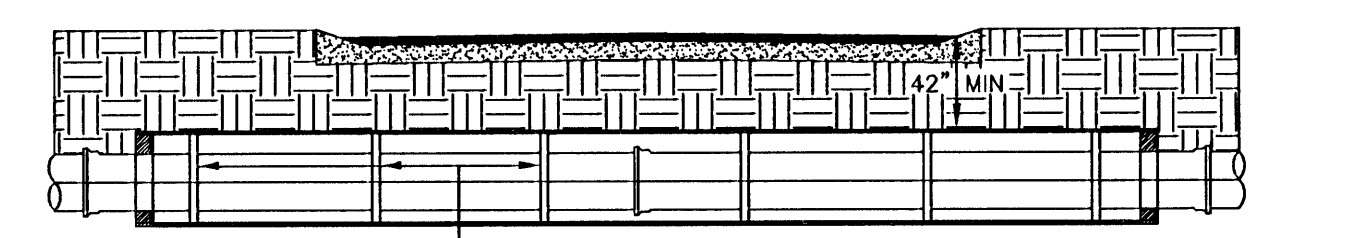


NOTE: CONTRACTOR IS RESPONSIBLE FOR PROVIDING ALL TRAFFIC CONTROL. A MINIMUM OF ONE LANE OF TRAFFIC TO BE OPEN AT ALL TIMES. PROPOSED TRAFFIC CONTROL AND CONSTRUCTION SEQUENCING MUST BE APPROVED PRIOR TO BEGINNING CONSTRUCTION.

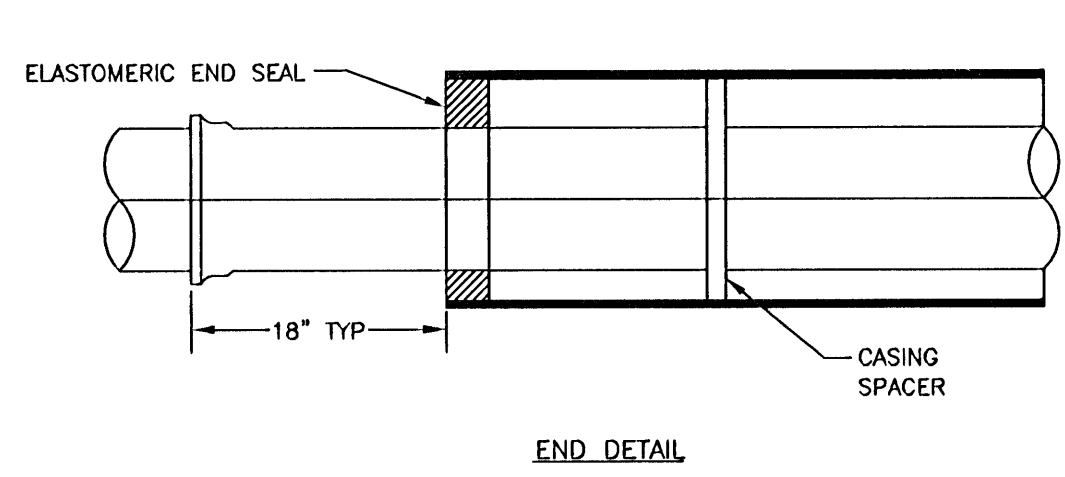
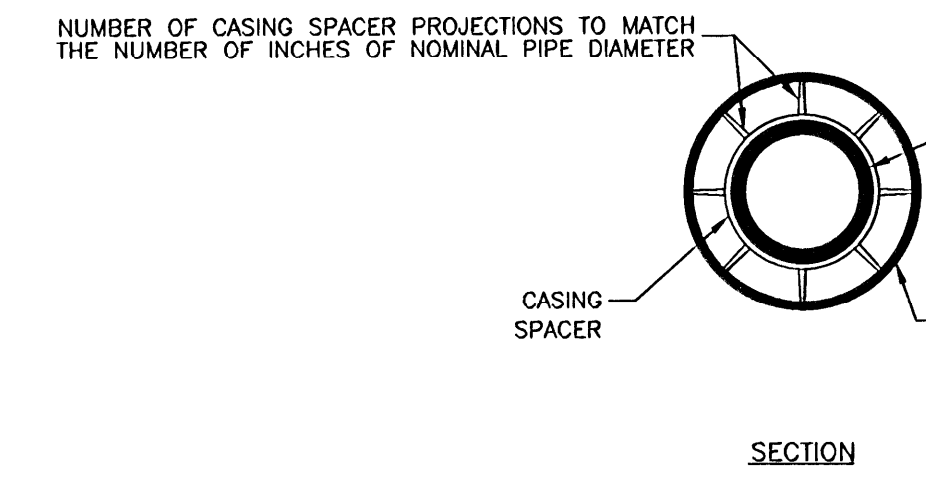


- ALTERNATE BACKFILL METHODS**
 - A. CRUSHER RUN ROCK OR SOIL FREE OF DEBRIS AND DELETERIOUS MATERIAL MAY BE USED WHEN COMPACTED TO A MINIMUM OF 95% DENSITY. BACKFILL IS SUBJECT TO APPROPRIATE IN-PLACE DENSITY TESTS.
 - B. LEAN MIX CONCRETE FOR BACKFILL MAY BE USED IF VIBRATED TO FILL ALL VOIDS.
 - C. CRUSHED ROCK FOR BACKFILL SHALL CONSIST OF 1 INCH MAXIMUM TO 1/4 MINIMUM CLEAN AGGREGATE, MANIPULATED AND COMPACTED TO ESTABLISH A FIRM INTERLOCK OF PARTICLES.
- ALL CUTS** ALL CUTS SHALL BE FILLED WITH GRAVEL MIX AS A TEMPORARY SURFACE IF FINAL SURFACE CANNOT BE INSTALLED.
- CLEANUP** ALL EXCESS MATERIAL, DEBRIS, MUD AND OTHER FOREIGN MATTER SHALL BE REMOVED FROM THE STREET RIGHT-OF-WAY IN A MANNER THAT RESTORES THE SURFACE TO ITS ORIGINAL CONDITION.

STREET CUT RESTORATION 031
CONCRETE PAVEMENT

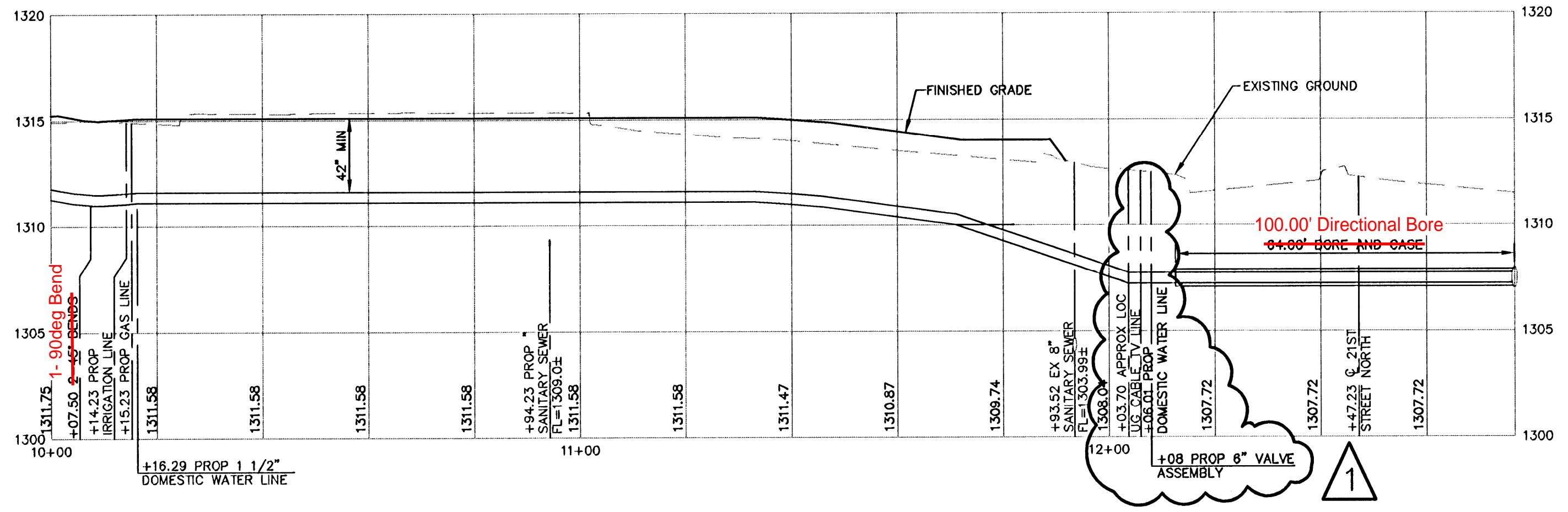


PROVIDE CASING SPACERS @ 6" SPACING TO POSITION CARRIER PIPE SUCH THAT THE REQUIRED ALIGNMENT AND GRADE IS MAINTAINED IN A RESTRAINED POSITION WITHIN THE CASING PIPE



- NOTES:
- CASING SPACERS SHALL USE DOUBLE-BACKED TAPE PROVIDED WITH THE SPACERS TO FASTEN THEM TIGHTLY ONTO THE CARRIER PIPE SO THAT THE SPACERS DO NOT MOVE DURING INSTALLATION.
 - CASING SPACERS SHALL BE PROJECTION-TYPE, TOTALLY NON-METALLIC CONSTRUCTED OF PREFORMED SECTIONS OF HIGH-DENSITY POLYETHYLENE.
 - CASING SPACERS SHALL BE ISO 9002 CERTIFIED FOR STRENGTH AND QUALITY.

BORING & CASING 205



PROJ. NO.	A06_3079	DATE	JAN 2007	DESIGNER		REV	DATE	DESCRIPTION	DSN	CHK
DRAWN BY	JL/BJH	CFN	3079WPP	SHEET	2 OF 7	1				

BRAUM'S ICE CREAM & DAIRY STORES
 2223 WEST 21ST STREET NORTH
 WICHITA, KANSAS

KAW VALLEY ENGINEERING, INC. - CONSULTING ENGINEERS
 Offices: Junction City, Mo. | Lawrence, Mo. |

2319 NORTH JACKSON
 P.O. BOX 1304
 JUNCTION CITY, KANSAS 66441
 785-762-5040 | FAX 785-762-7744
 E-MAIL jce@kveg.com | www.kveg.com