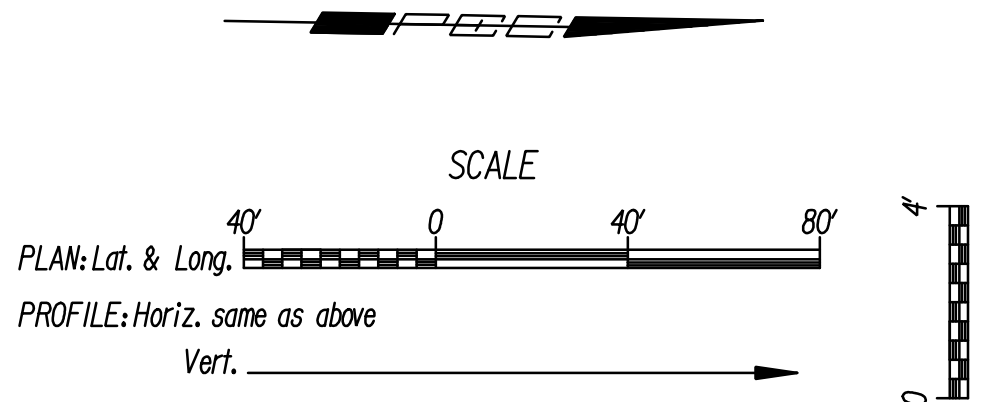
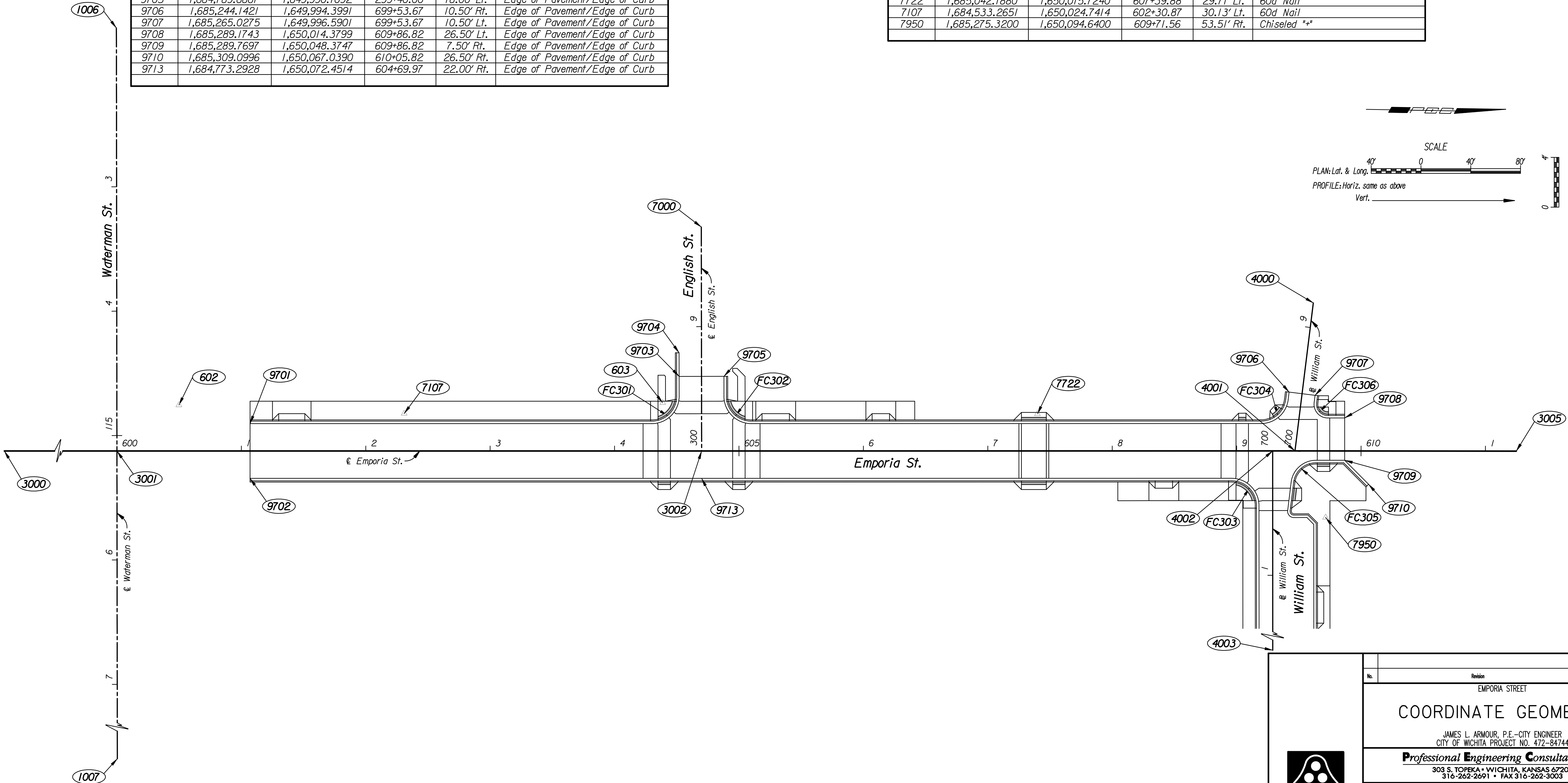


COORDINATE TABLE					
POINT NO.	NORTH COORDINATE	EAST COORDINATE	STATION	OFFSET	DESCRIPTION
1006	1,684,296.2847	1,649,719.1482	111+72.35	0.00' Rt.	Waterman Centerline Point
1007	1,684,311.2790	1,650,479.2979	119+32.65	0.00' Rt.	Waterman Centerline Point
3000	1,683,866.0361	1,650,067.1281	595+62.97	0.00' Rt.	Emporia Centerline Point
3001	1,684,302.9910	1,650,059.1314	600+00.00	0.00' Rt.	Emporia Centerline Point
3002	1,684,772.8832	1,650,050.4552	604+69.97	0.00' Rt.	Emporia & English Centerline Point
3005	1,685,427.5490	1,650,038.4602	611+24.75	0.00' Rt.	Emporia Centerline Point
4000	1,685,262.2582	1,649,922.3512	698+80.12	0.00' Rt.	William Baseline Point
4001	1,685,249.7506	1,650,041.5745	700+00.00	0.00' Rt.	Emporia & William Point
4002	1,685,231.7638	1,650,041.9094	700+00.00	0.00' Rt.	William Baseline Point
4003	1,685,235.4044	1,650,231.9409	701+90.07	0.00' Rt.	William Baseline Point
7000	1,684,769.3030	1,649,870.4220	298+19.93	0.00' Rt.	English Centerline Point
9701	1,684,409.5666	1,650,035.1598	601+07.00	22.00' Lt.	Edge of Pavement/Edge of Curb
9702	1,684,410.3789	1,650,079.1523	601+07.00	22.00' Rt.	Edge of Pavement/Edge of Curb
9703	1,684,753.6938	1,649,990.8250	299+40.00	18.00' Rt.	Edge of Pavement/Edge of Curb
9704	1,684,753.3160	1,649,971.8287	299+21.00	18.00' Rt.	Edge of Pavement/Edge of Curb
9705	1,684,789.6867	1,649,990.1092	299+40.00	18.00' Lt.	Edge of Pavement/Edge of Curb
9706	1,685,244.1421	1,649,994.3991	699+53.67	10.50' Rt.	Edge of Pavement/Edge of Curb
9707	1,685,265.0275	1,649,996.5901	699+53.67	10.50' Lt.	Edge of Pavement/Edge of Curb
9708	1,685,289.1743	1,650,014.3799	609+86.82	26.50' Lt.	Edge of Pavement/Edge of Curb
9709	1,685,289.7697	1,650,048.3747	609+86.82	7.50' Rt.	Edge of Pavement/Edge of Curb
9710	1,685,309.0996	1,650,067.0390	610+05.82	26.50' Rt.	Edge of Pavement/Edge of Curb
9713	1,684,773.2928	1,650,072.4514	604+69.97	22.00' Rt.	Edge of Pavement/Edge of Curb

NO.	Δ	R	T	L	E	CURVE DATA							
						P.C. COORDINATES		P.I. COORDINATES		P.T. COORDINATES		C.C. COORDINATES	
						NORTH	EAST	NORTH	EAST	NORTH	EAST	NORTH	EAST
FC301	90°04'53" Lt.	20'	20.03'	31.44'	8.30'	1,684,732.3844	1,650,027.1989	1,684,752.4094	1,650,026.8292	1,684,752.0112	1,650,006.8047	1,684,732.0151	1,650,007.2023
FC302	89°55'40" Lt.	20'	19.97'	31.39'	8.27'	1,684,792.0054	1,650,006.1166	1,684,792.4025	1,650,026.0875	1,684,812.3739	1,650,025.7156	1,684,812.0015	1,650,005.7191
FC303	89°58'10" Rt.	20'	19.99'	31.41'	8.28'	1,685,199.2399	1,650,066.5193	1,685,219.2258	1,650,066.1471	1,685,219.6087	1,650,086.1328	1,685,199.6123	1,650,086.5158
FC304	82°56'39" Lt.	20'	17.68'	28.95'	6.69'	1,685,222.0065	1,650,018.0870	1,685,239.6806	1,650,017.7579	1,685,241.5250	1,650,000.1772	1,685,221.6341	1,649,998.0905
FC305	96°59'41" Lt.	9'	10.17'	15.24'	4.58'	1,685,249.1036	1,650,066.9112	1,685,265.3375	1,650,012.8038	1,685,266.6793	1,650,050.7922	1,685,267.0053	1,650,068.7892
FC306	82°58'24" Rt.	18'	15.92'	26.07'	6.03'	1,685,266.3988	1,650,002.6876	1,685,250.7643	1,650,051.0804	1,685,275.5077	1,650,012.6253	1,685,275.3497	1,650,003.6267

CONTROL POINTS					
POINT NO.	NORTH COORDINATE	EAST COORDINATE	STATION	OFFSET	DESCRIPTION
602	1,684,352.1083	1,650,021.3289	600+49.81	36.89' Lt.	Chiseled "+"
603	1,684,740.8164	1,650,012.2574	604+38.62	38.78' Lt.	Chiseled "+"
7722	1,685,042.1880	1,650,015.7240	607+39.88	29.71' Lt.	60d Nail
7107	1,684,533.2651	1,650,024.7414	602+30.87	30.13' Lt.	60d Nail
7950	1,685,275.3200	1,650,094.6400	609+71.56	53.51' Rt.	Chiseled "+"



Plotted By: svb Date: 3/8/2009 2:34:59 PM
 FILE: I:\2008\08456\Geometry\08456-COG0 Emporia.dgn

No.	Revision	By	Date
EMPORIA STREET			
COORDINATE GEOMETRY			
JAMES L. ARMOUR, P.E. - CITY ENGINEER CITY OF WICHITA PROJECT NO. 472-84744			
Professional Engineering Consultants, P.A. 303 S. TOPEKA • WICHITA, KANSAS 67202 316-262-2691 • FAX 316-262-3003			
Designed by	JPS	Job No.	08456
Drawn by	DRP	Date	Feb., 2009
			Sht. RB of R78