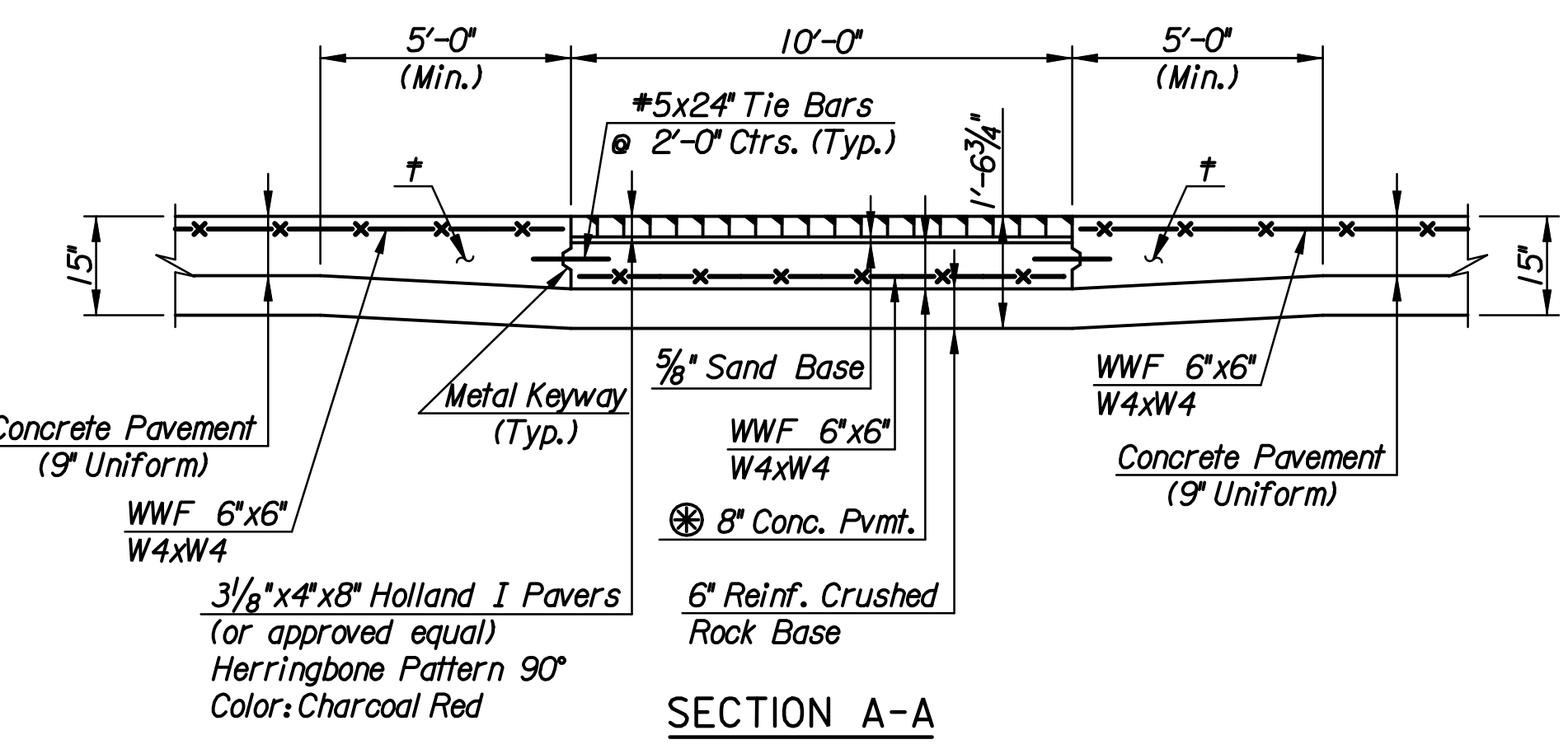
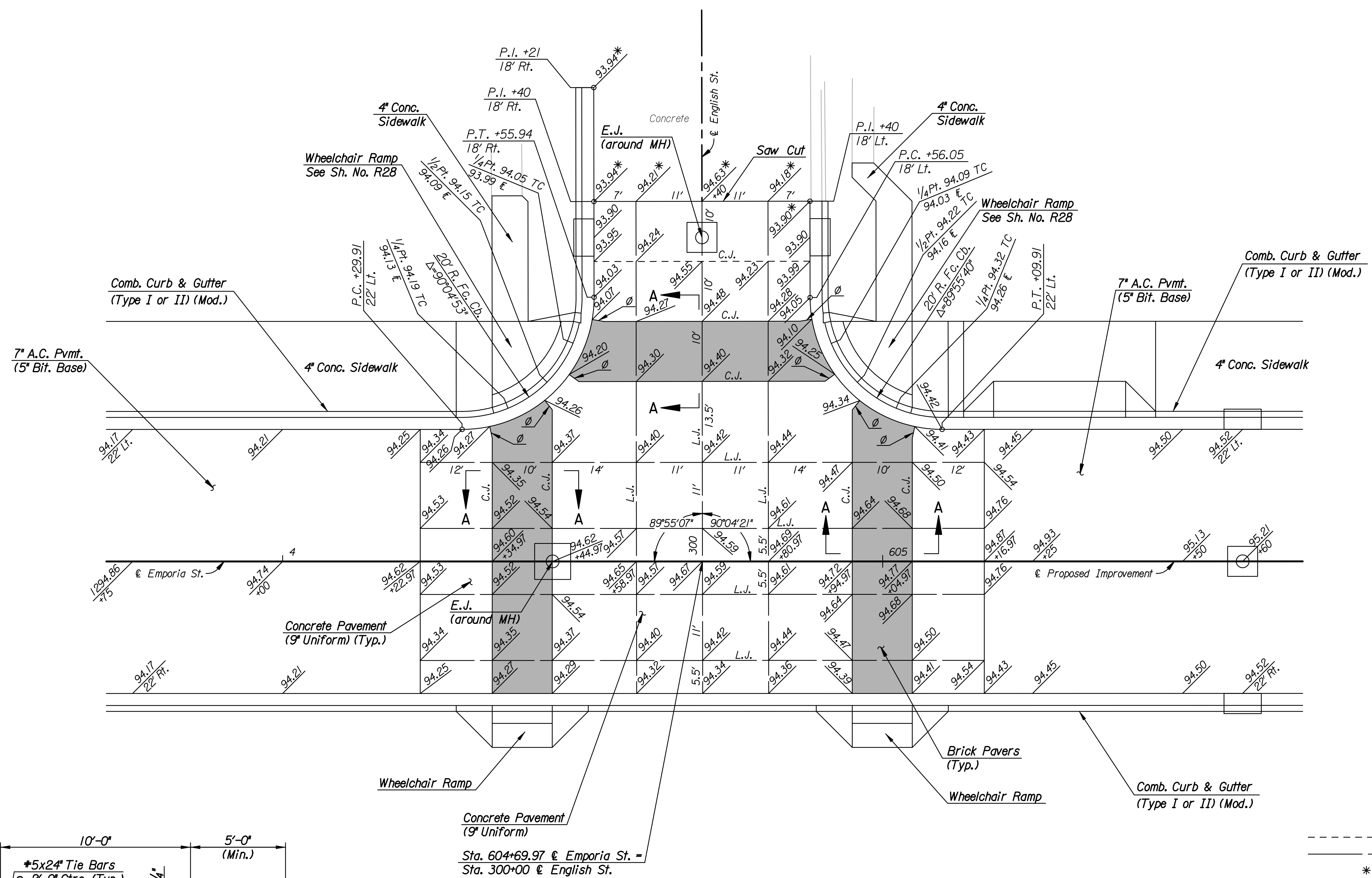




Scale: 1"=10'



⊗ 8" Concrete Pavement to be paid as "Concrete Pavement (9" Uniform)"
 † Additional Pavement Thickness shall be Subsidiary to "Concrete Pavement (9" Uniform)"

- LEGEND**
- Construction Joint (C.J.)
 - Longitudinal Joint (L.J.)
 - * Match Existing
 - ∅ Omit Dowels
 - Holland I Pavers

See Sh. No. R20 for Joint Details.

Plotted By: svb Date: 3/8/2009 3:31:31 PM
 FILE: I:\2008\08456\Intersection\08456-Int-English.dgn

No.	Revision	By	Date
EMPORIA STREET			
INTERSECTION DETAIL			
EMPORIA AND ENGLISH			
JAMES L. ARMOUR, P.E. - CITY ENGINEER CITY OF WICHITA PROJECT NO. 472-84744			
Professional Engineering Consultants, P.A. 303 S. TOPEKA • WICHITA, KANSAS 67202 316-262-2691 • FAX 316-262-3003			
Designed by	JPS	Job No.	08456
Drawn by	AKL	Date	Feb., 2009
			Sht. R16 of R78