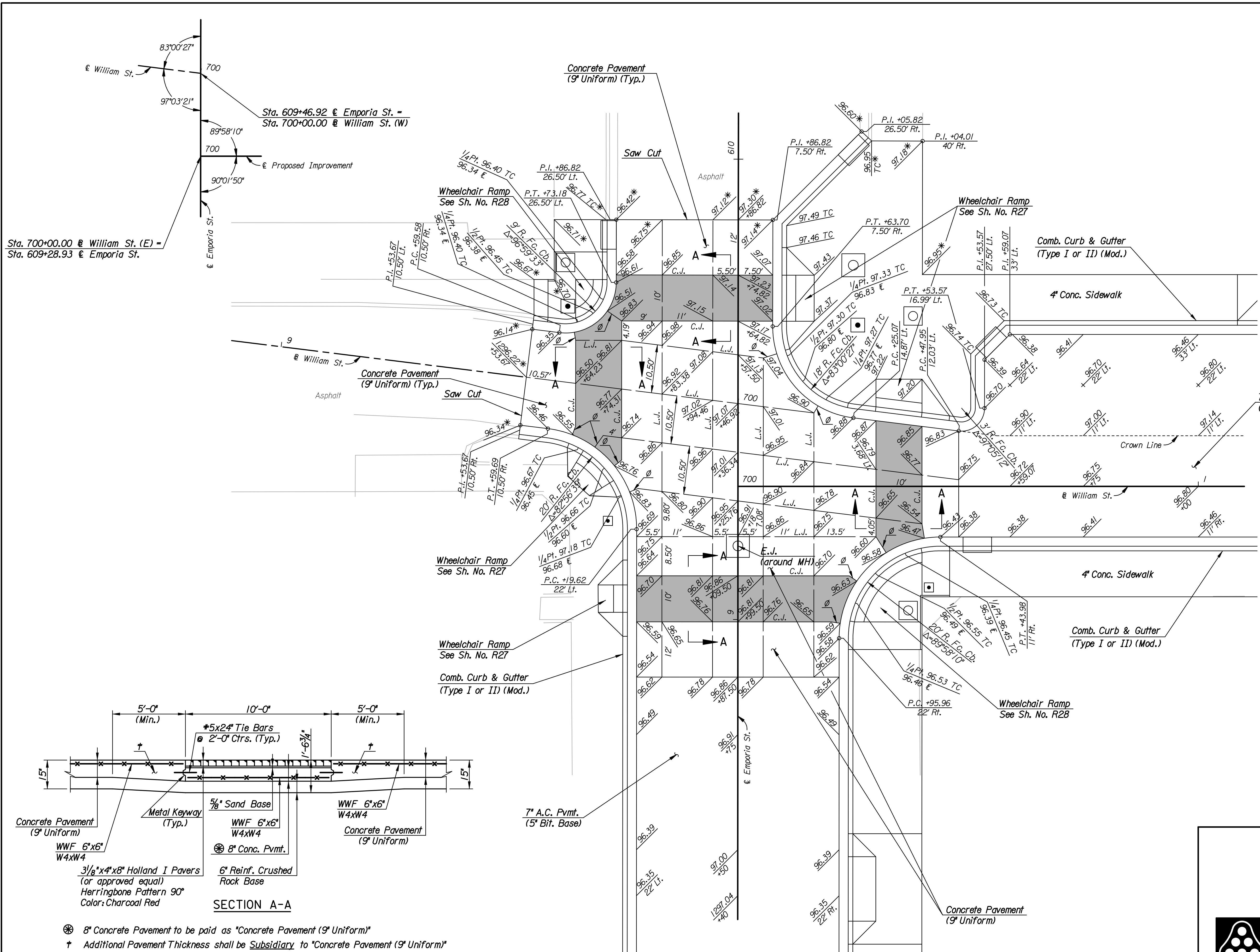


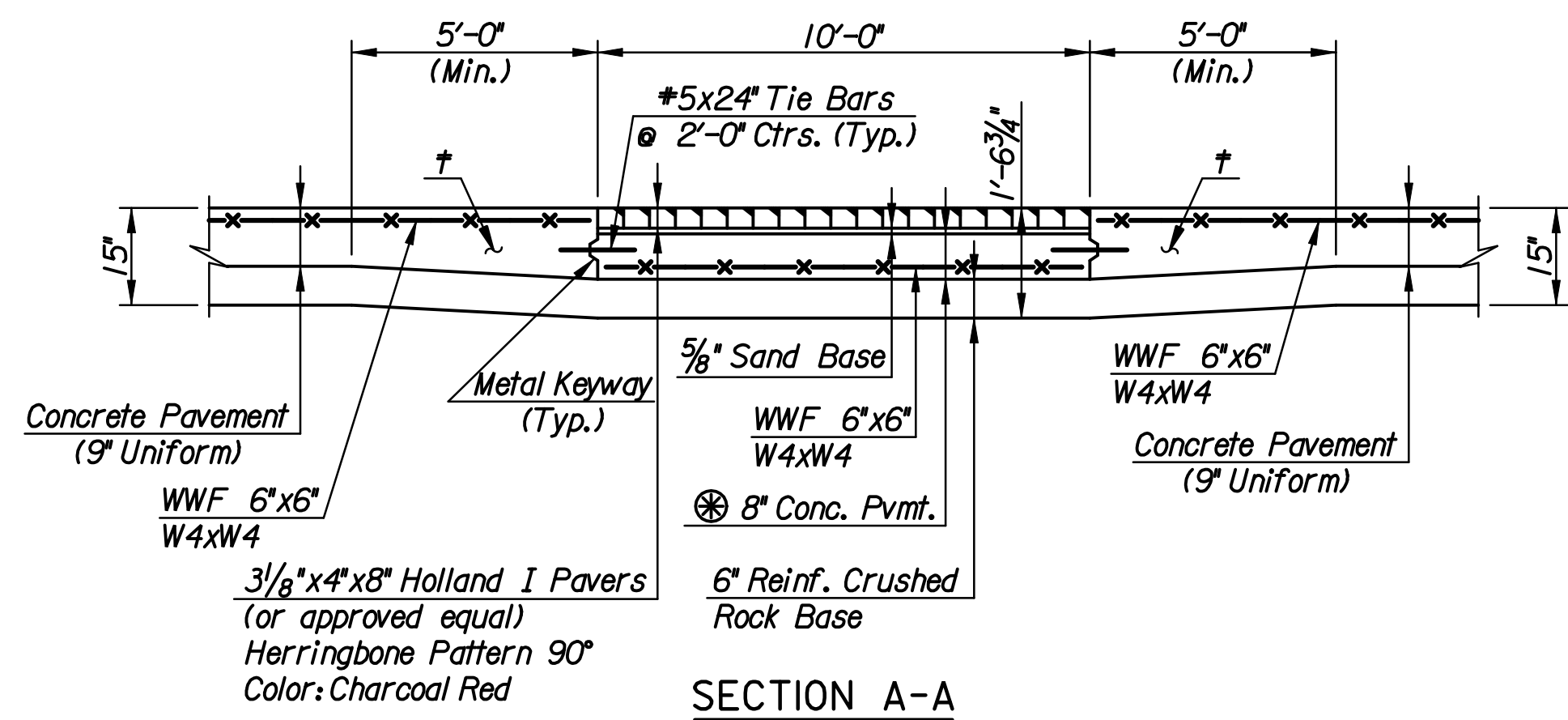
Plotted By: svb Date: 3/9/2009 9:24:38 AM
 FILE: I:\2008\08455\Intersections\08455-Int-emporia.dgn



LEGEND

- Construction Joint (C.J.)
- Longitudinal Joint (L.J.)
- * Match Existing
- ∅ Omit Dowels
- ▨ Holland I Pavers

Note: See Sh. No. R20 for Joint Details.



SECTION A-A

⊗ 8" Concrete Pavement to be paid as "Concrete Pavement (9' Uniform)"
 † Additional Pavement Thickness shall be Subsidiary to "Concrete Pavement (9' Uniform)"

Revision		By	Date
WILLIAM STREET			
INTERSECTION DETAIL EMPORIA AND WILLIAM			
JAMES L. ARMOUR, P.E.—CITY ENGINEER CITY OF WICHITA PROJECT NO. 472-84744			
Professional Engineering Consultants, P.A. 303 S. TOPEKA • WICHITA, KANSAS 67202 316-262-2691 • FAX 316-262-3003			
Designed by	JPS	Job No.	08455
Drawn by	AKL	Date	Feb., 2009
			Sht. R17 of R78

