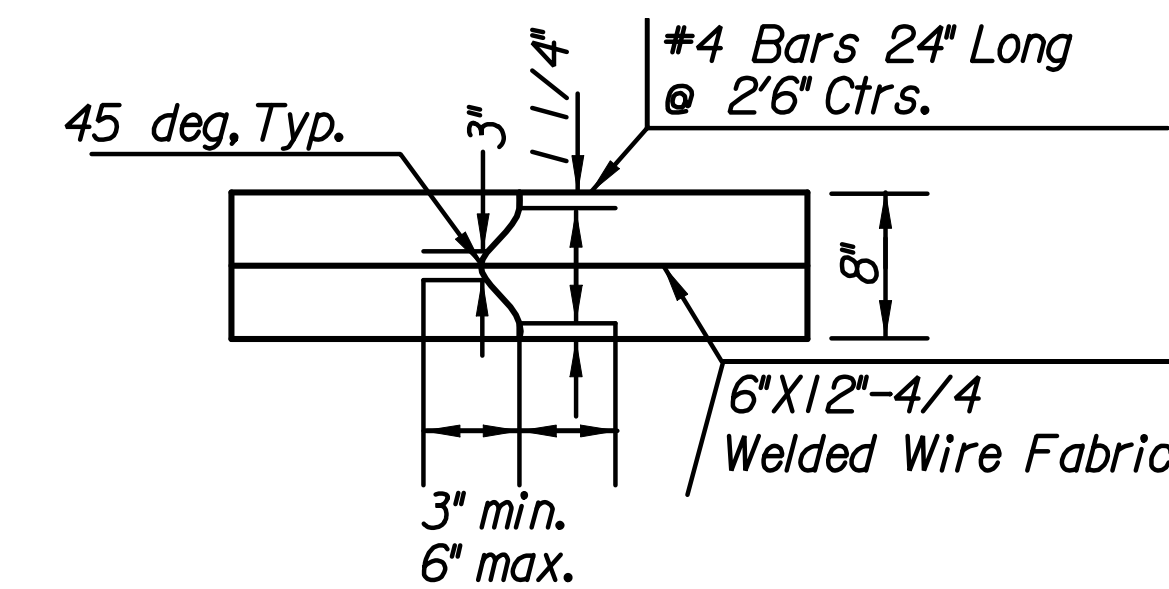
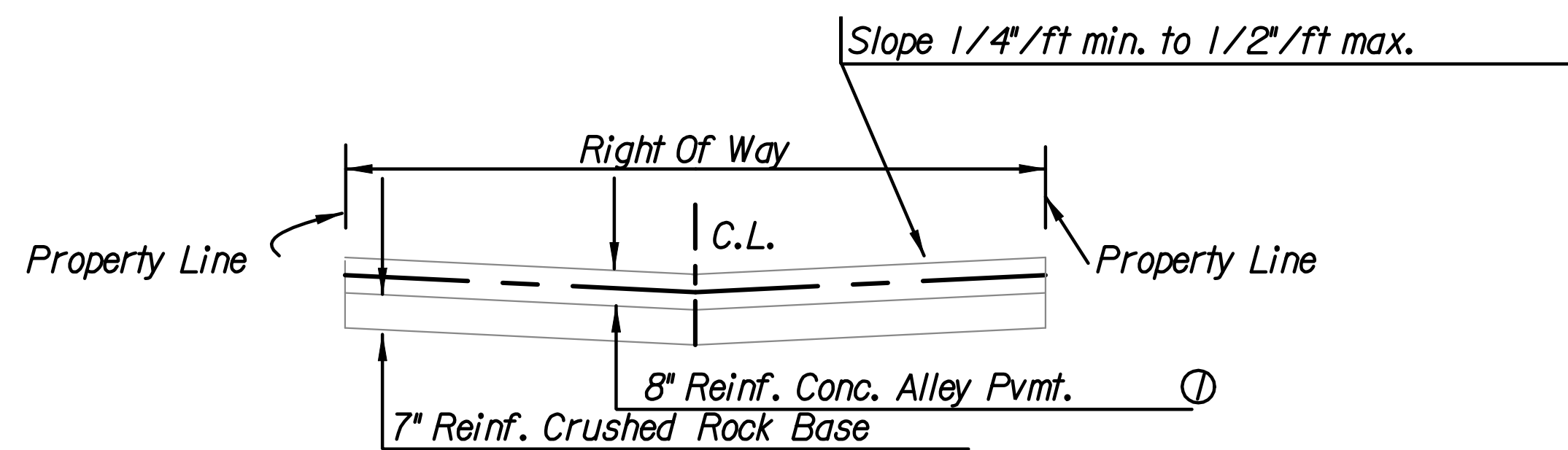


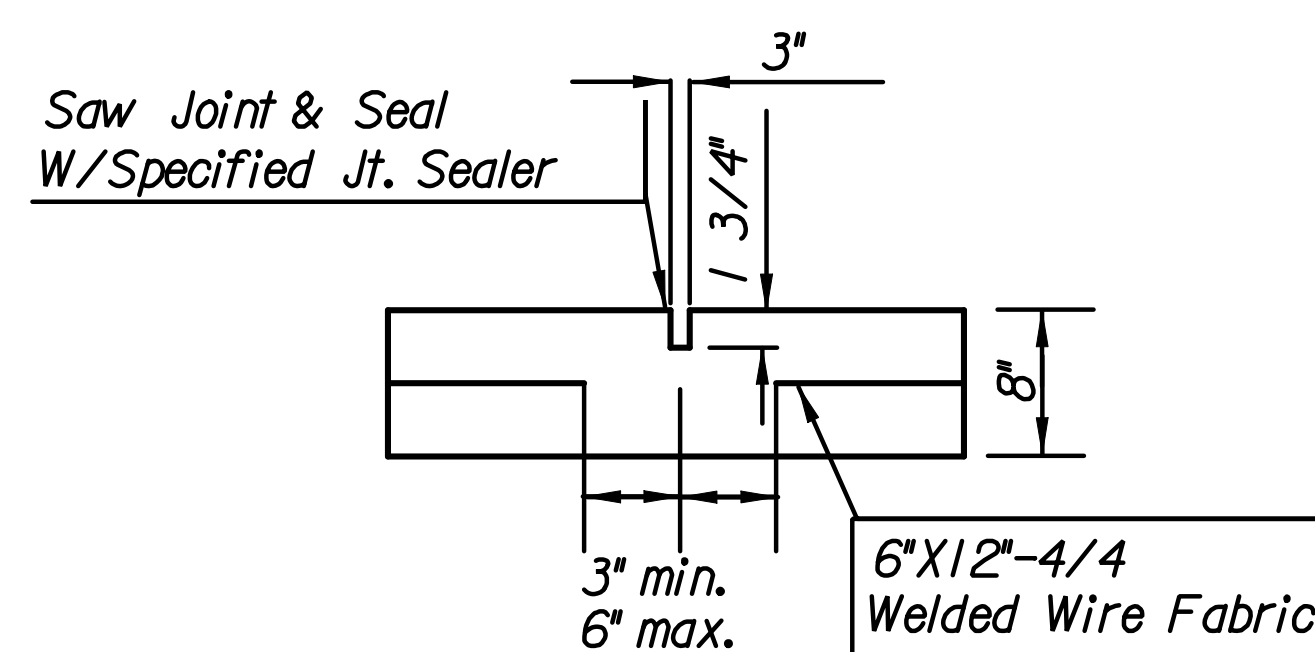
SLAB REINFORCEMENT DETAIL



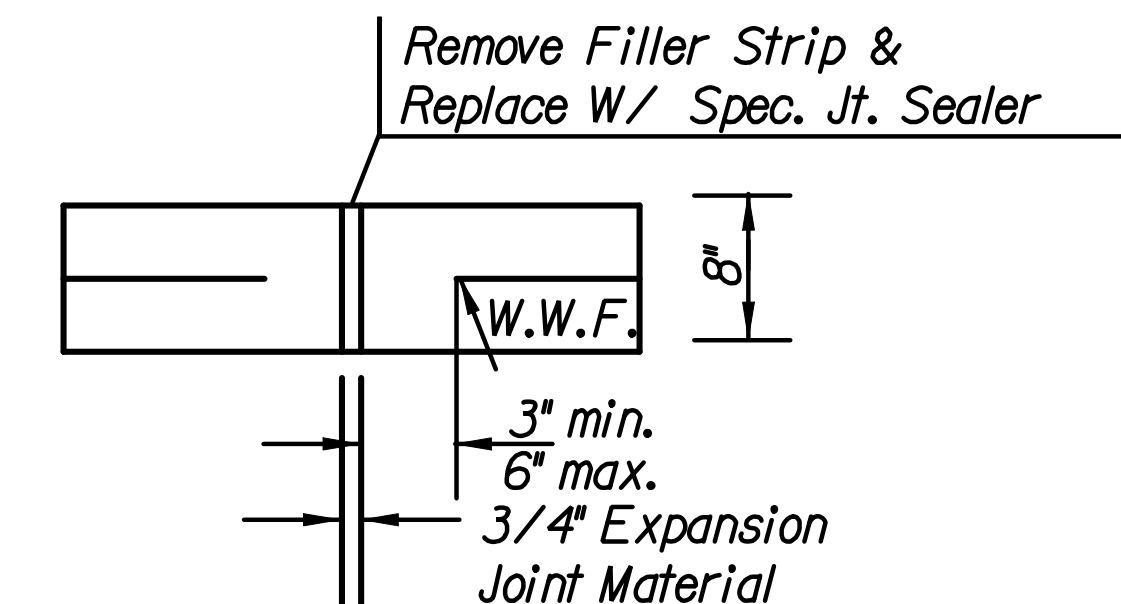
LONGITUDINAL CONSTRUCTION JOINT



TYPICAL PAVEMENT SECTION



CONTRACTION JOINT



EXPANSION JOINT

DSNR: COW OPER: SVB SCALE: PLOTTED: 1-23-2009 sub
 I:/2008/08456/Standard/08456-Alley.dgn

① 8" Reinf. Conc. Alley Pvmf. to be paid for as Concrete Pavement (8")(Reinforced)

<p>THE CITY OF WICHITA</p> <p>CITY ENGINEER'S OFFICE 455 NORTH MAIN STREET WICHITA, KANSAS 67202 (316) 268-4501 (316) 268-4114 FAX</p>	Reinforced Concrete Alley Paving Details	
	JAMES L. ARMOUR P.E. - CITY ENGINEER	
	PROJECT NUMBER 472-84744	INDEX CODE XXXXXX
	DATE	SHEET R26 OF R78