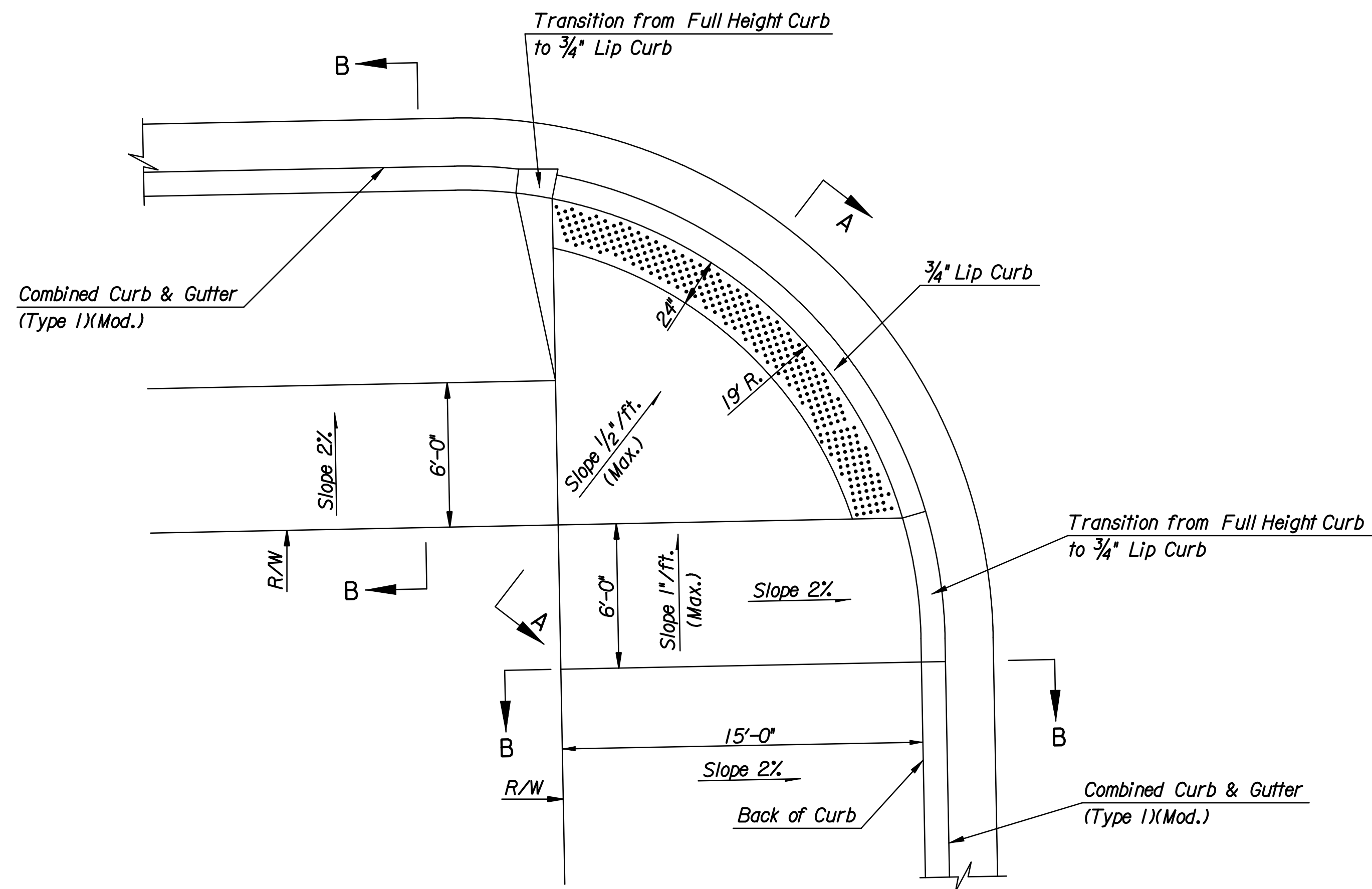
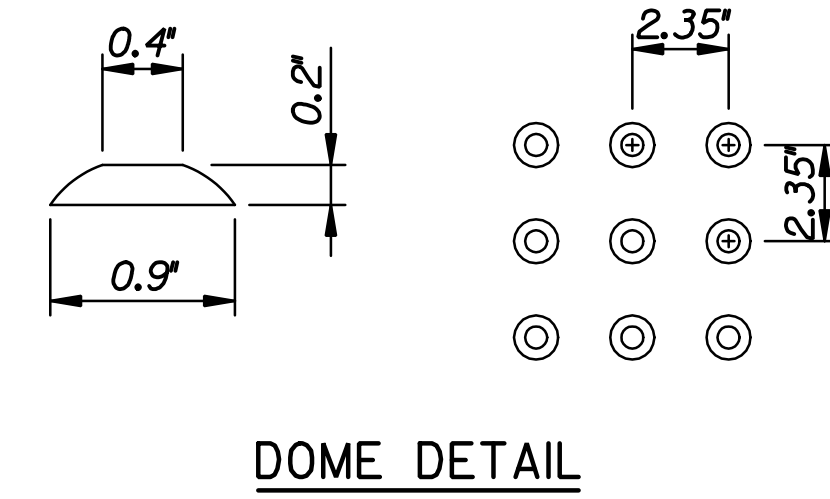


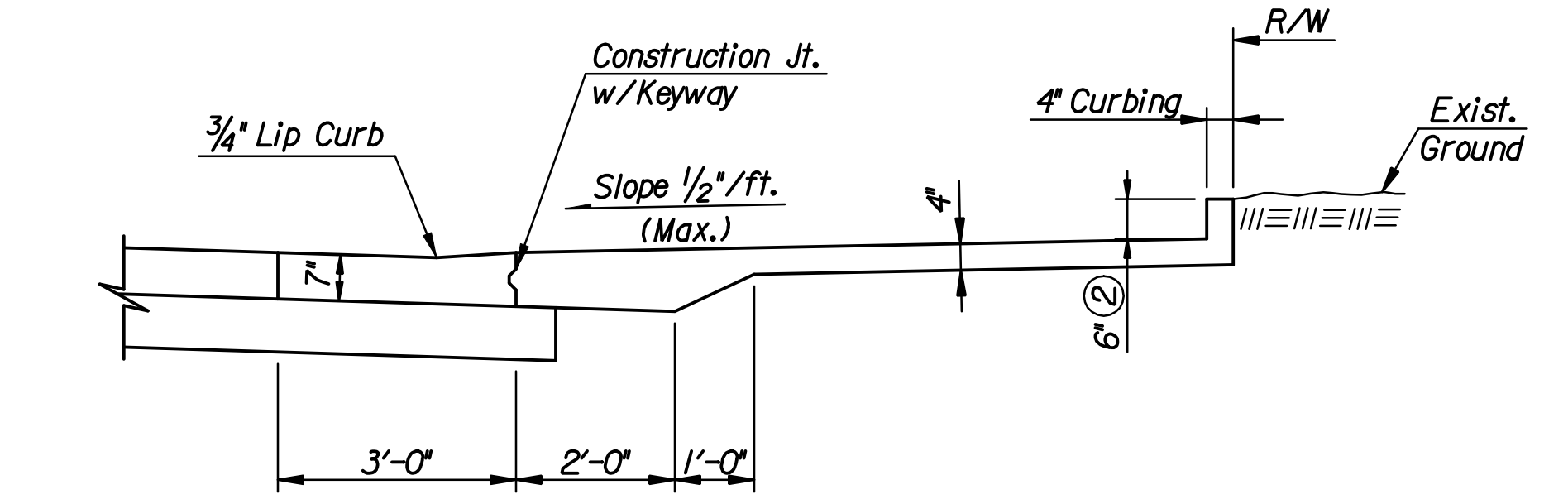
DSNR: DRM OPER: SVB SCALE: I:/2008/08456/STANDARDS/08456-WCRAMP.DGN LAST REV: 1-23-2009 BY: svb



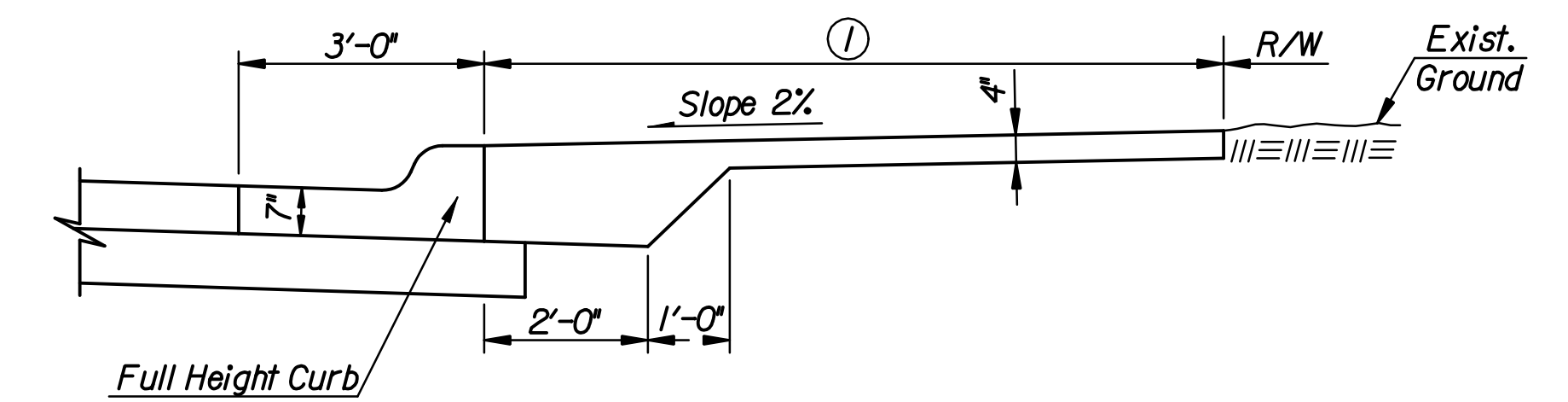
TYPICAL WHEELCHAIR RAMP
Emporia & English



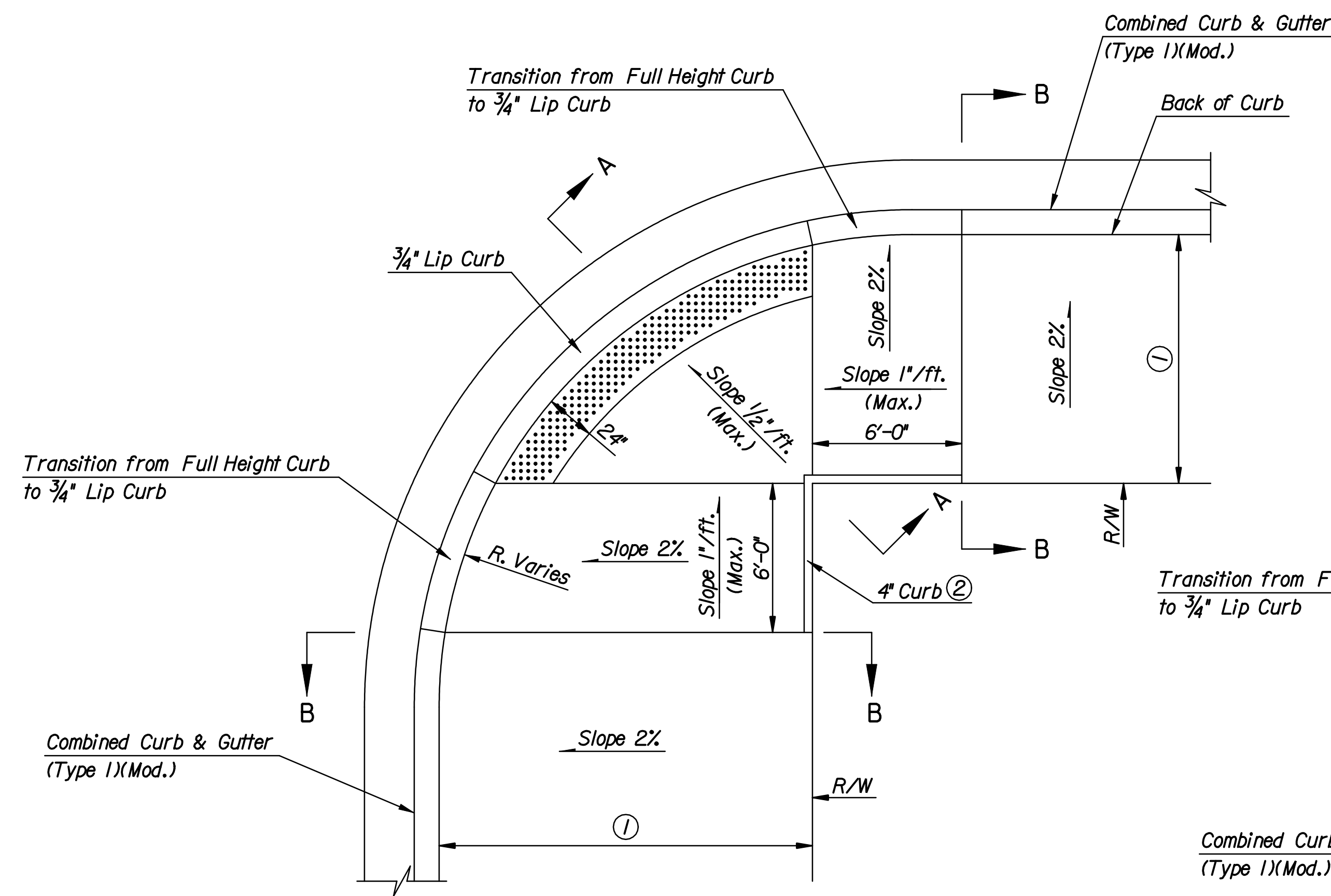
DOME DETAIL



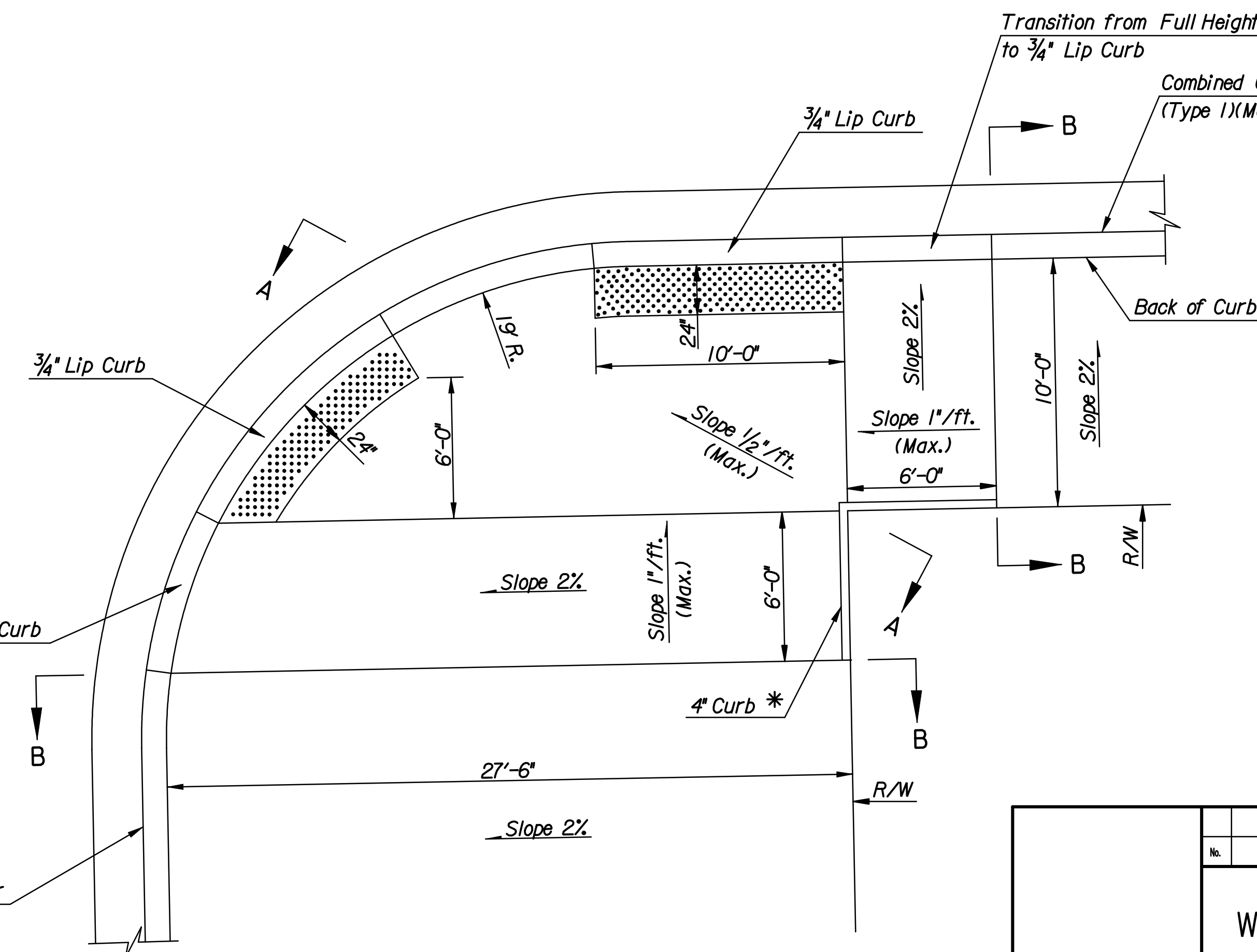
SECTION A-A



SECTION B-B



TYPICAL WHEELCHAIR RAMP
Emporia & William (SE & NW Corners)
St. Francis & William (SW & NW Corners)



TYPICAL WHEELCHAIR RAMP
William & St. Francis (SE & NE Corners)

- ① Sidewalk Widths Vary. See Plan Sheets for Variations.
- ② Transition 4" curbing from no height to 6" height at R/W corner. Curbing shall be Subsidiary to the bid item "Wheelchair Ramp".

See Sh. No. R27 for Additional Notes & Details.

No.	Revision	By	Date
EMPORIA STREET, WILLIAM STREET, AND ST. FRANCIS STREET			
WHEELCHAIR RAMP DETAILS			
JAMES L. ARMOUR, P.E.—CITY ENGINEER CITY OF WICHITA PROJECT NO. 472-84744			
Professional Engineering Consultants, P.A. 303 S. TOPEKA • WICHITA, KANSAS 67202 316-262-2691 • FAX 316-262-3003			
Designed by	JPS	Job No.	08456
Drawn by	SVB	Date	Feb., 2009
			Sht. R28 of R78