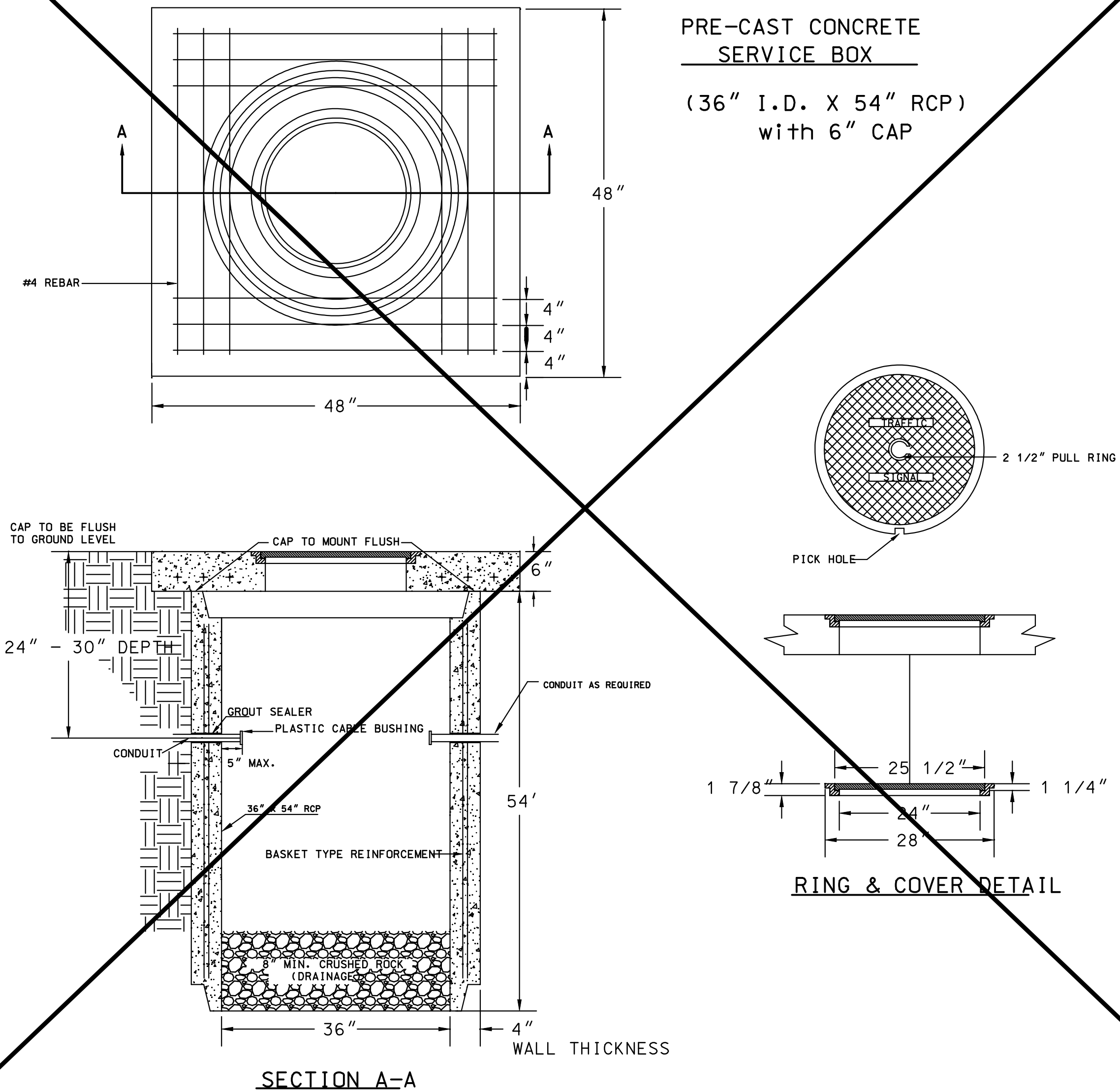
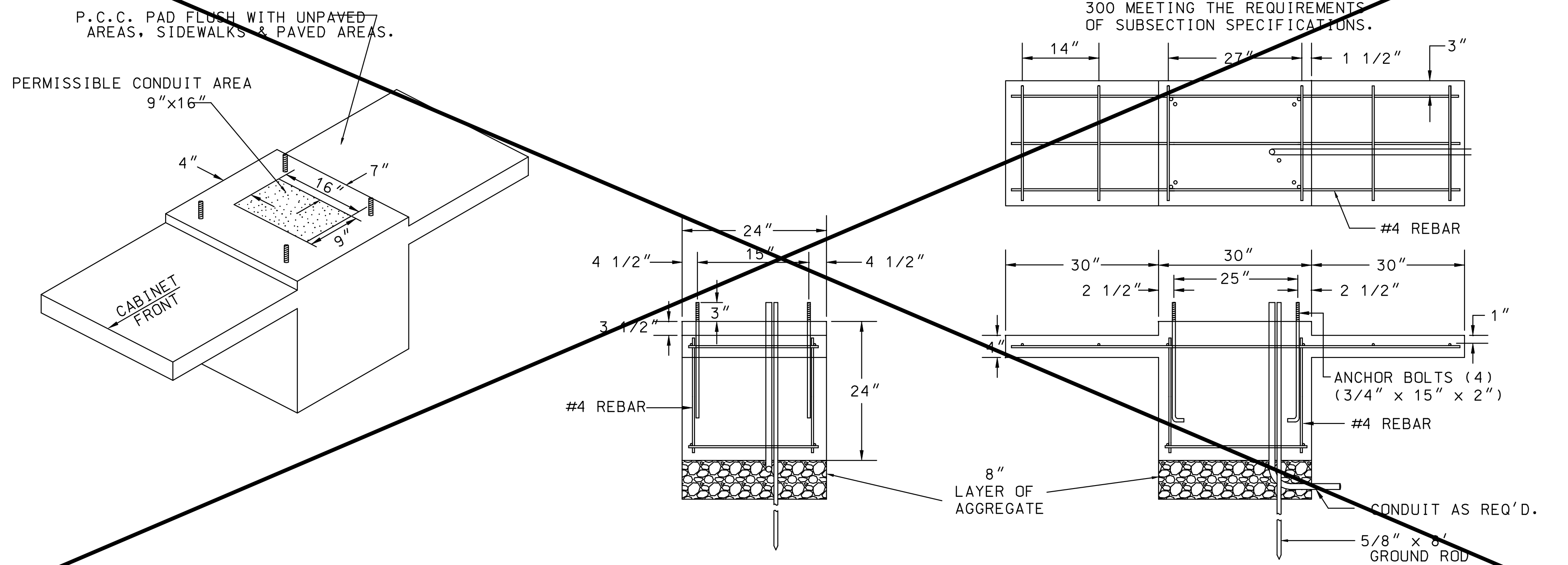


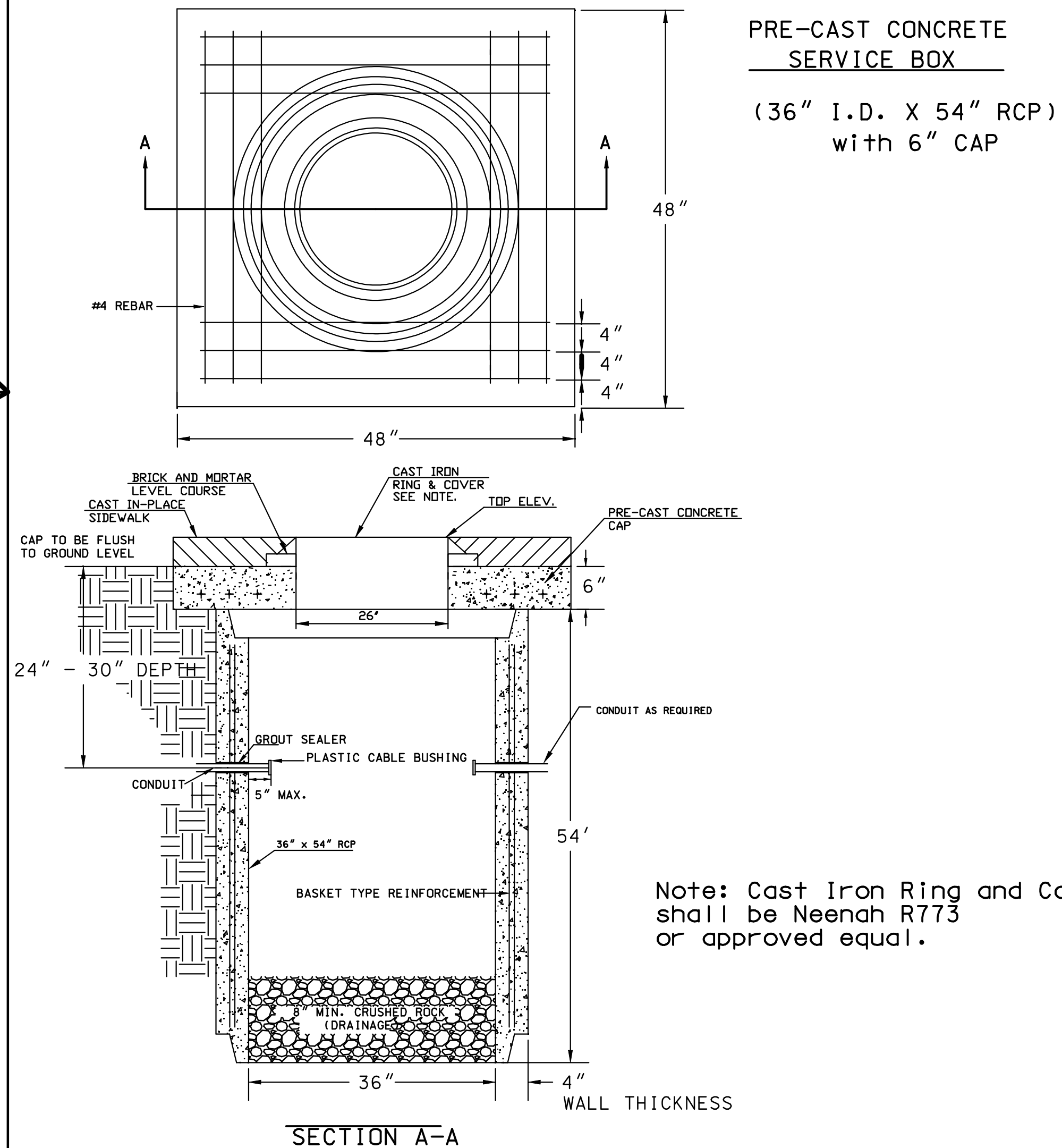
SERVICE BOX CONSTRUCTION/INSTALLATION DETAILS



170 CONTROLLER PAD DETAILS



SPECIAL SERVICE BOX CONSTRUCTION/INSTALLATION DETAILS

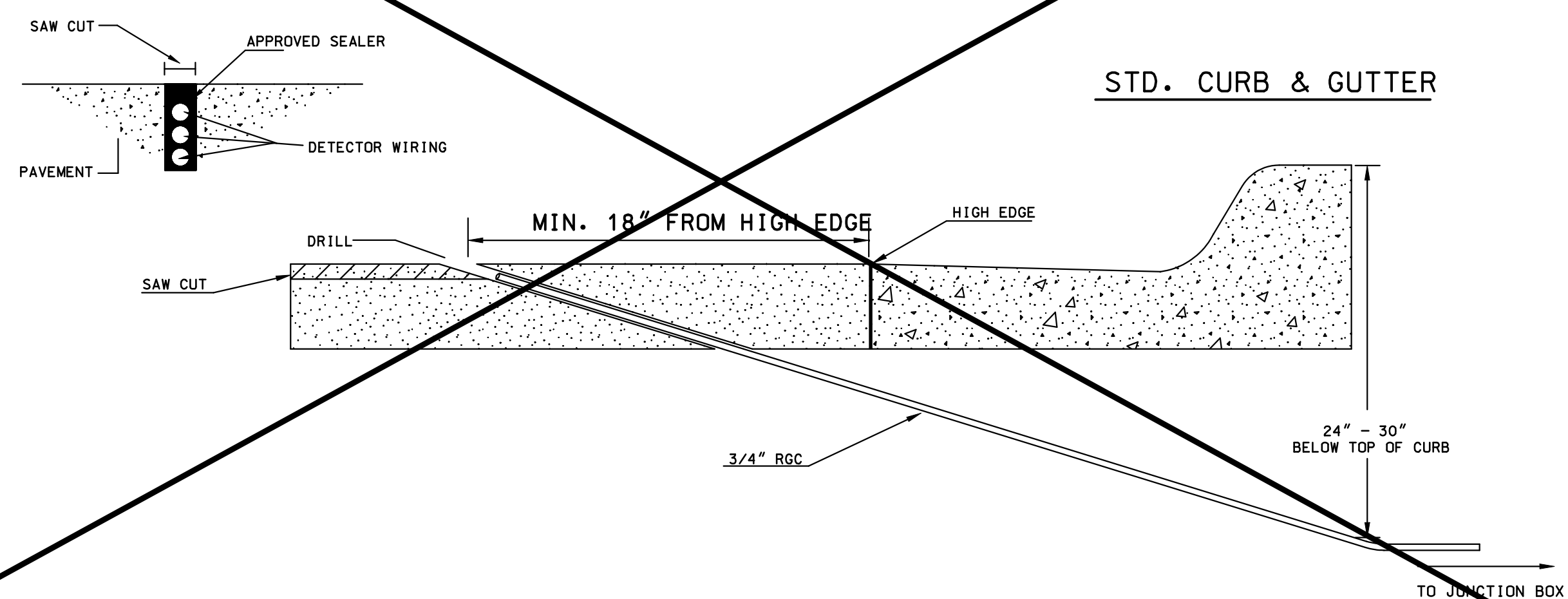


NOTES:

- SERVICE BOX:**
1. CONDUIT CONNECTION TO BE FLUSH TO WITHIN 5" OF INSIDE FACE OF SIDE WALL. CONDUIT TO DRAIN INTO SERVICE BOX.
 2. CONDUIT CONNECTIONS TO SERVICE BOX SHALL BE TERMINATED WITH PLASTIC CABLE BUSHING.
 3. CONDUIT SHALL BE SEALED WITH APPROVED SEALER AT INSIDE WALL FACE.
 4. ALL SERVICE & JUNCTION BOXES TO HAVE 8" OF CRUSHED ROCK.
- TRENCHING:**
1. DEPTH TO BE 30" MINIMUM WITH ROCK & STUBBLE FREE BACKFILL TO SERVE AS BEDDING MATERIAL. MAINTAIN MINIMUM CONDUIT DEPTH IN TRENCH.
 2. BACKFILL TO BE COMPACTED IN 6" LOOSE LIFTS BY HAND OR MECHANICAL TAMPING TO A 95% STANDARD DENSITY.
- CONDUIT:**
1. SLOPE CONDUIT TO DRAIN AS DIRECTED BY THE ENGINEER.
 2. 3" RIGID STEEL CONDUIT BTWN. SERVICE BOXES AND AS SHOWN ON PLANS.

SERVICE/JUNCTION BOX, CONTROLLER PAD CONSTRUCTION/INSTALLATION DETAILS

CONDUIT/DETECTOR WIRE INSTALLATION DETAILS



Note: Cast Iron Ring and Cover shall be Neenah R773 or approved equal.