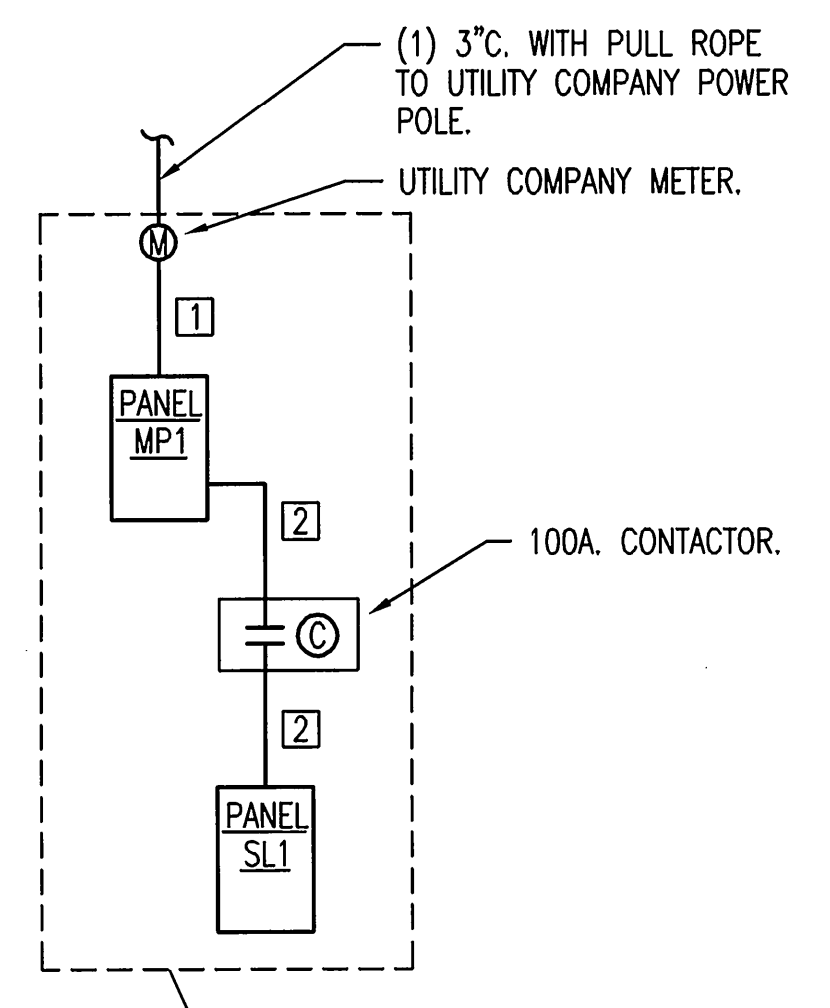


1 TYPICAL ONE-LINE DIAGRAM
NO SCALE (120/208V, 1Ø)



2 TYPICAL ONE-LINE DIAGRAM
NO SCALE (120/240V, 1Ø)

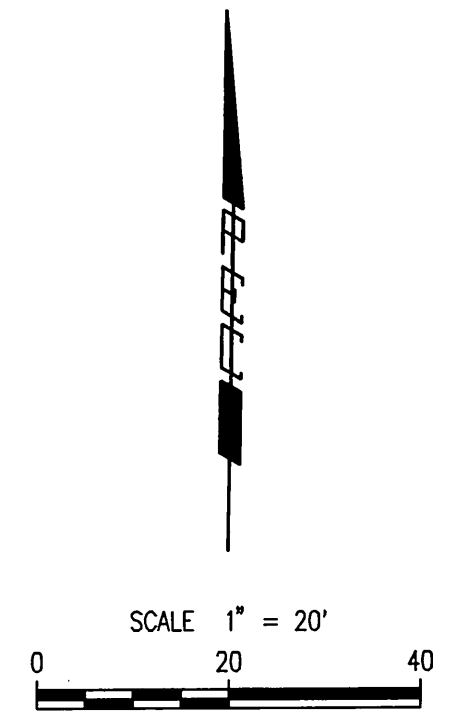
PLAN NOTES:

1. FIELD VERIFY EXISTING CONDITIONS AND DIMENSIONS.
2. COORDINATE CONDUIT ROUTING WITH EXISTING UTILITIES AND CONDITIONS.
3. COORDINATE ALL REQUIREMENTS WITH WESTAR.

KEYED NOTES:

- 1 STREET LIGHTING POLE. LETTER DESIGNATES POLE/FIXTURE TYPE. SEE POLE DETAIL SHEET AND LIGHTING FIXTURE SCHEDULE FOR ADDITIONAL INFORMATION.
- 2 (1)2" RGS CONDUIT FOR STREET LIGHTING CIRCUITING AND POLE MOUNTED RECEPTACLE CIRCUITING.

FEEDER SCHEDULE							
DESIG.	EQUIPMENT SERVED	CONDUCTORS			GROUND SIZE PER SET	ISOLATED GROUND SIZE	CONDUIT SIZE PER SET
		SETS	NO.	SIZE			
1	PANEL 'MP2'	1	3	#1 AWG CU.	--	--	1-1/2"
2	PANEL 'SL2'	1	3	#4 AWG CU.	#10	--	1-1/4"



Drawn by: SMS
 Checked by: SMS
 Date: 03-05-2009 3:55:46 PM
 File: 2008108456108456-EL-LEADING.dwg

Region: _____ By: _____ Date: _____

WILLIAM STREET

LIGHTING PLAN

JAMES L. ARMOUR, P.E.-CITY ENGINEER
CITY OF WICHITA PROJECT NO. 472-84744

Professional Engineering Consultants, P.A.
303 S. TOPEKA • WICHITA, KANSAS 67202
316-262-2691 • FAX 316-262-3003

Designed by: SMS
Drawn by: TAL

Job No.: 08456
Date: Feb., 2009

Sh. E3 of 5