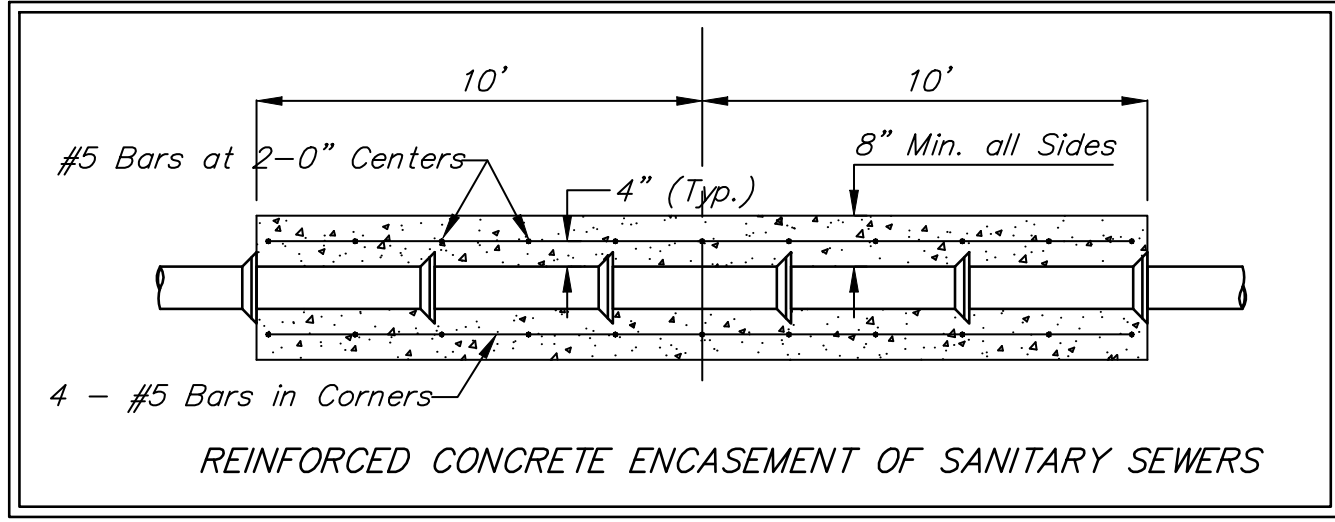
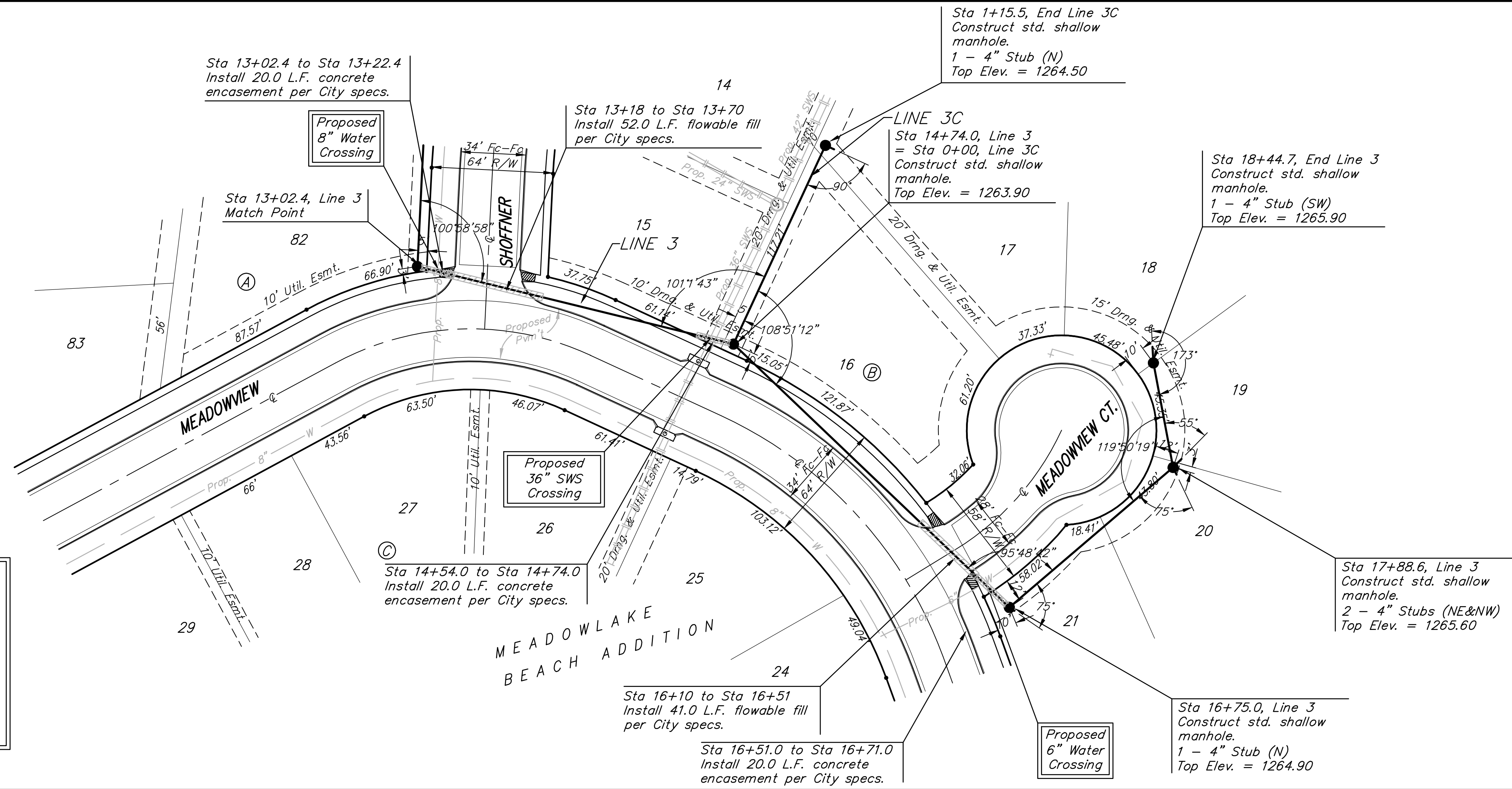


BM #1 - City of Wichita
Benchmark Disc, SE Corner of
Clifton and 55th Street South,
Southwest corner of RCBG, on top
of hubguard at the West end.
ELEV. = 1263.29 NGVD29

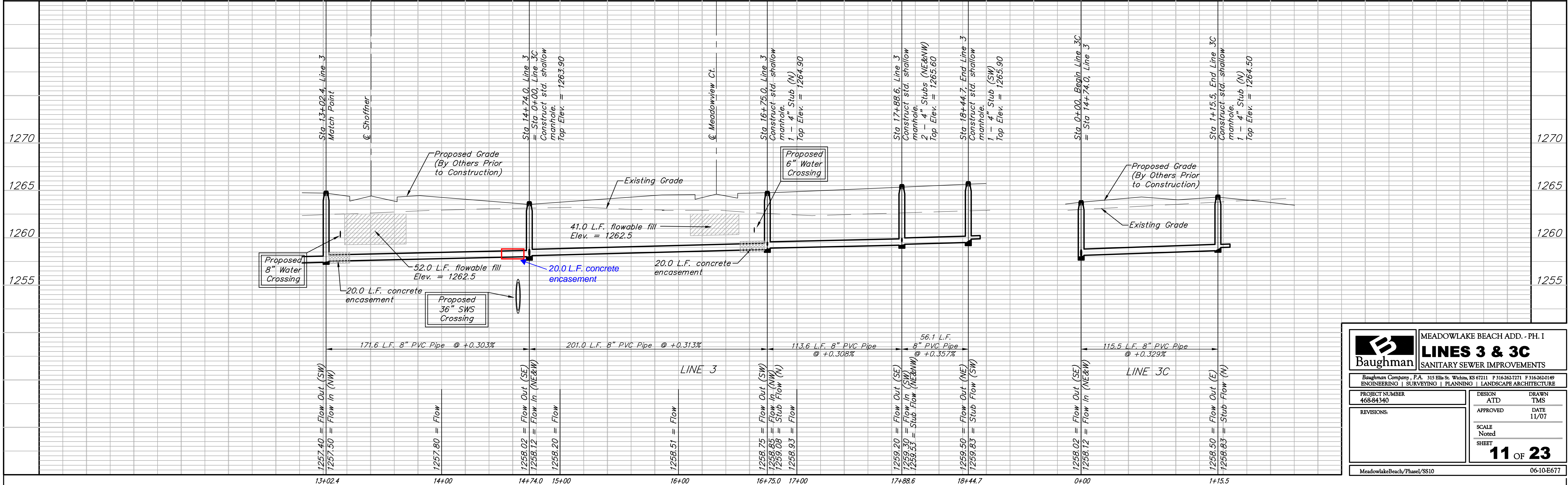
BM #2 - "□" Cut on wall footing
located 29' North of the South
end of wall, at the Southeast
corner of Lot 7 Block A,
Meadowlake Beach Addition,
Sedgwick County, Kansas.
ELEV. = 1266.82 NGVD29

BM #3 - "□" Cut Top of Curb,
West side South end of Concrete
street North west of Northeast
corner of Meadowlake Beach
Addition, Sedgwick County, Kansas.
ELEV. = 1262.86 NGVD29

BM #4 - "□" Cut Top of Curb,
East return on East side of
Concrete street North of the
Northwest Corner of Meadowlake
Beach Addition, Sedgwick County,
Kansas.
ELEV. = 1262.95 NGVD29



All trench and manhole excavation areas from
Sta. 13+70.0 to Sta. 16+10.0, and Sta. 16+51.0
to Sta. 18+44.7, Line 3 shall be backfilled with
sand. The sand backfill shall be within two feet
of existing grade and shall be water-jetted and
vibrated during backfilling. All costs shall be paid
for as L.F. "Sand Backfill Jetted and Vibrated".



B Baughman		MEADOWLAKE BEACH ADD. - PH. I	
		LINE 3 & 3C	
		SANITARY SEWER IMPROVEMENTS	
Baughman Company, P.A. 315 Ellis St. Wichita, KS 67211 P 316-262-7271 F 316-262-0149 ENGINEERING SURVEYING PLANNING LANDSCAPE ARCHITECTURE			
PROJECT NUMBER 468-84340	DESIGN ATTD	DRAWN TMS	DATE 11/07
REVISIONS:	SCALE Noted SHEET		
		11 OF 23	
MeadowlakeBeach/Phase/SS10		06-10-E677	