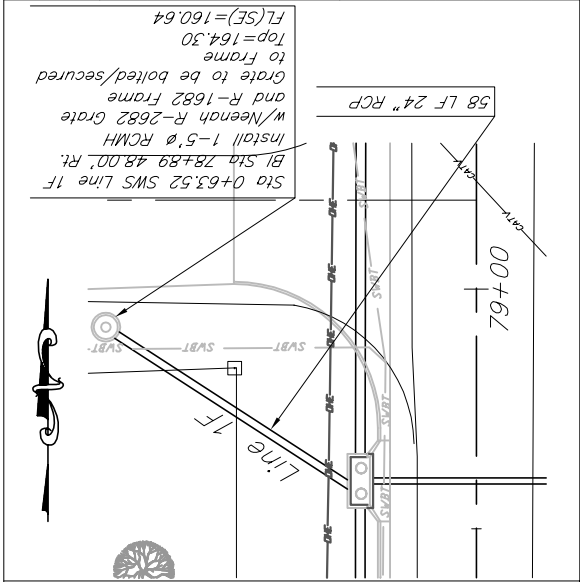
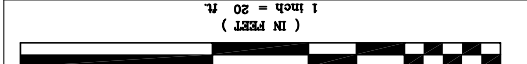


FHWA	7	KANSAS	87 N-0301-01	2003	14	36
REG NO.		STATE	PROJECT NO.	YEAR	SHEET NO.	TOTAL SHEETS

BENCHMARKS:

BM#1 City disc SE corner intersection of 19th Street West and 21st Street North, 67' S. and 46' E. of C.S. N.E. Corner N.E. 1/4 Sec. 12, Twp. 27S, R2W N = 7644.63 E = 5000.00
 BM#2 " " cut on back of curb, 11' E. of W. end curb @ W. end of driveway return, S. Side of 20th Street North and 19th Street West. N.E. Corner S.E. 1/4 Sec. 12, Twp. 27S, R2W N = 5000.00 E = 5000.00
 BM#3 Step apron in H.P., 52' and 47' E. of W. 1/4 corner, 1/2 mile S. of 21st Street North on 19th Street West. N.E. Corner S.E. 1/4 Sec. 12, Twp. 27S, R2W N = 5000.00 E = 5000.00
 BM#4 " " cut on back of curb, 15' E. of W. end curb @ 3' W. of end driveway return, N. side of Jamesburg and 19th Street West. S.E. Corner S.E. 1/4 Sec. 12, Twp. 27S, R2W N = 2631.25 E = 4338.41
 BM#5 City disc, 15' W. of W. back of curb, 29.5' W. and 1' S. of centerline 17th Street North and 19th Street West. Elev. = 163.59



City of Wichita
19th Street West
SWS Lines 1A to 1F

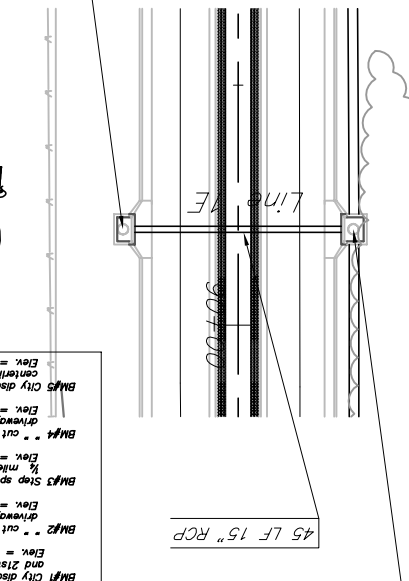
PROJECT NUMBER
472 83890

DATE	6/01	REVISIONS	3/02
SHEET	14	OF	36

DESIGN RR
01002
DRAWN TR
SWS
FLE
DATE
6/01

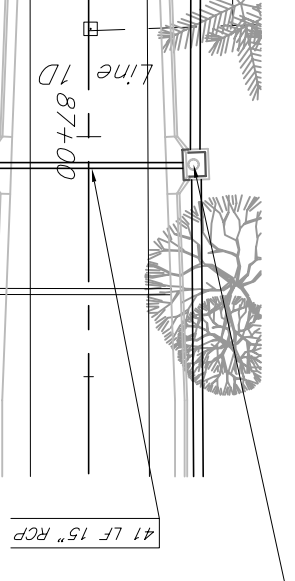
516 S. Market
Wichita, KS 67202
316/264-0242
Kempner Engineering

Sta 16+80.00 SWS Line 1 =
45 LF 15" RCP



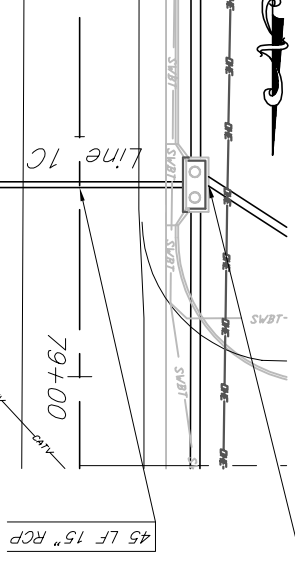
Sta 0+48.00 SWS Line 1E
BL Sta 89+80 Rt.
Install 1-Type 1-A Curb Inlet
L=5' W=4'
Top=167.36
FL(W)=163.91

Sta 14+05.79 SWS Line 1 =
41 LF 15" RCP



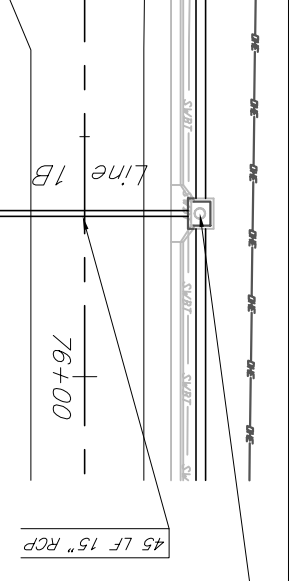
Sta 0+44.00 SWS Line 1D
BL Sta 87+05.79 Rt.
Install 1-Type 1-A Curb Inlet
L=5' W=4'
Top=167.47
FL(W)=163.26

Sta 5+60.00 SWS Line 1 =
45 LF 15" RCP



Sta 0+48.00 SWS Line 1C
BL Sta 78+60 Rt.
Install 1-Type 1-A Curb Inlet
L=5' W=4'
Top=165.19
FL(W)=161.37

Sta 2+66.00 SWS Line 1 =
45 LF 15" RCP

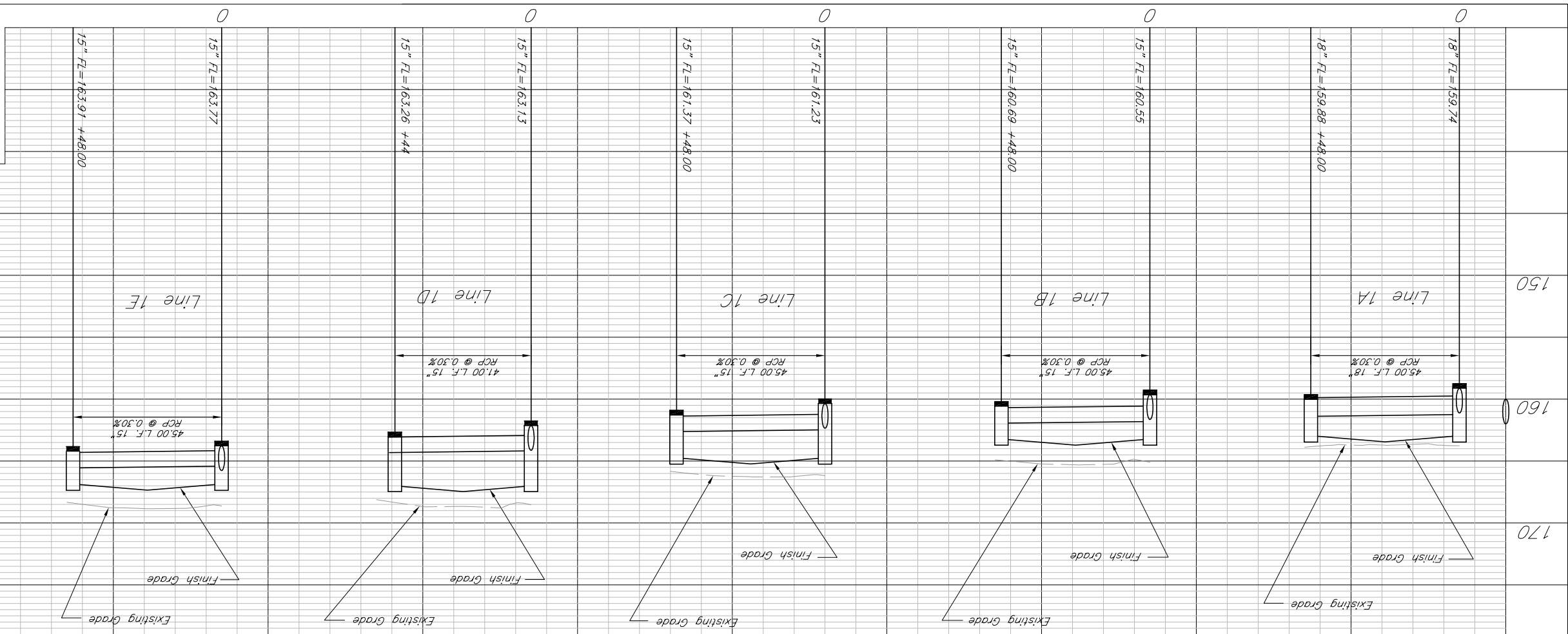


Sta 0+48.00 SWS Line 1B
BL Sta 75+66 Rt.
Install 1-Type 1-A Curb Inlet
L=5' W=4'
Top=163.72
FL(W)=160.69

Sta 0+40.00 SWS Line 1 =
45 LF 18" RCP



Sta 0+48.00 SWS Line 1A
BL Sta 73+40 Rt.
Install 1-Type 1-A Curb Inlet
L=10' W=4'
Top=163.43
FL(W)=159.88



15" FL=163.77
15" FL=163.13
15" FL=161.23
15" FL=160.69 +48.00
15" FL=160.55
18" FL=159.88 +48.00
18" FL=159.74

15" FL=163.77
15" FL=163.13
15" FL=161.23
15" FL=160.69 +48.00
15" FL=160.55
18" FL=159.88 +48.00
18" FL=159.74

15" FL=163.77
15" FL=163.13
15" FL=161.23
15" FL=160.69 +48.00
15" FL=160.55
18" FL=159.88 +48.00
18" FL=159.74

15" FL=163.77
15" FL=163.13
15" FL=161.23
15" FL=160.69 +48.00
15" FL=160.55
18" FL=159.88 +48.00
18" FL=159.74

15" FL=163.77
15" FL=163.13
15" FL=161.23
15" FL=160.69 +48.00
15" FL=160.55
18" FL=159.88 +48.00
18" FL=159.74

15" FL=163.77
15" FL=163.13
15" FL=161.23
15" FL=160.69 +48.00
15" FL=160.55
18" FL=159.88 +48.00
18" FL=159.74