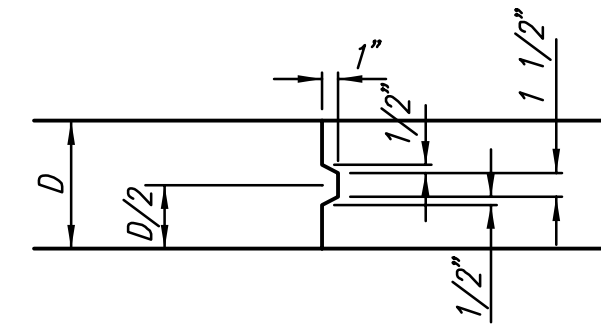
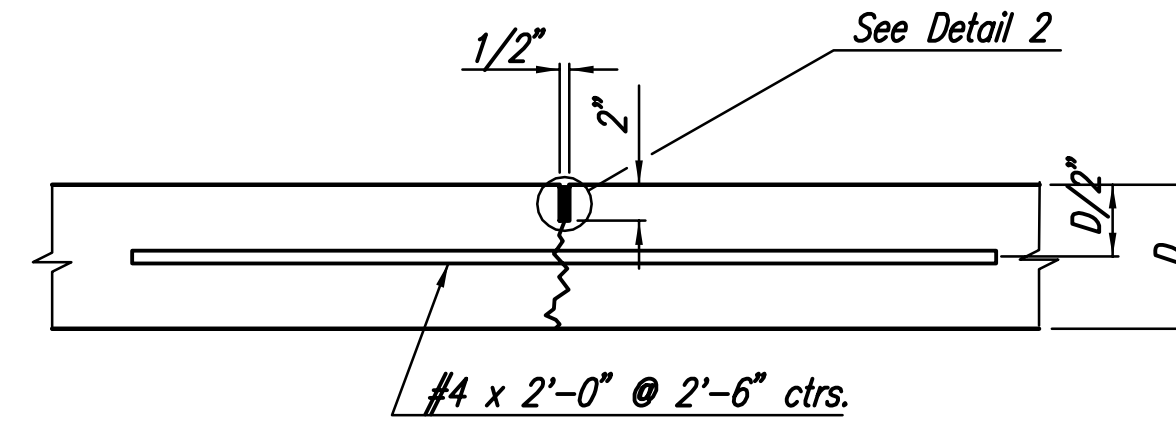


**WING REINFORCING DETAIL**

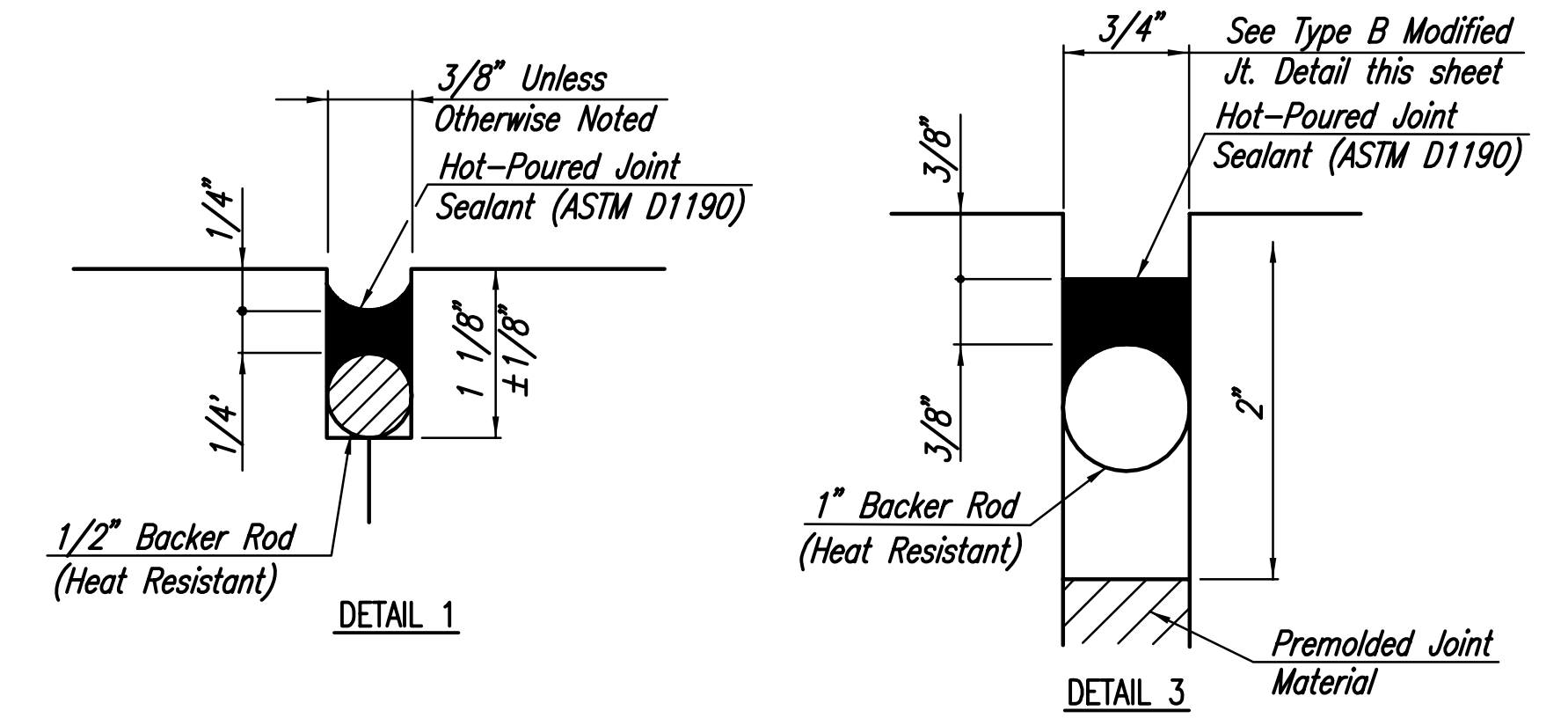
NOTE: OMIT WIRE FABRIC REINFORCING IN THIS SECTION.



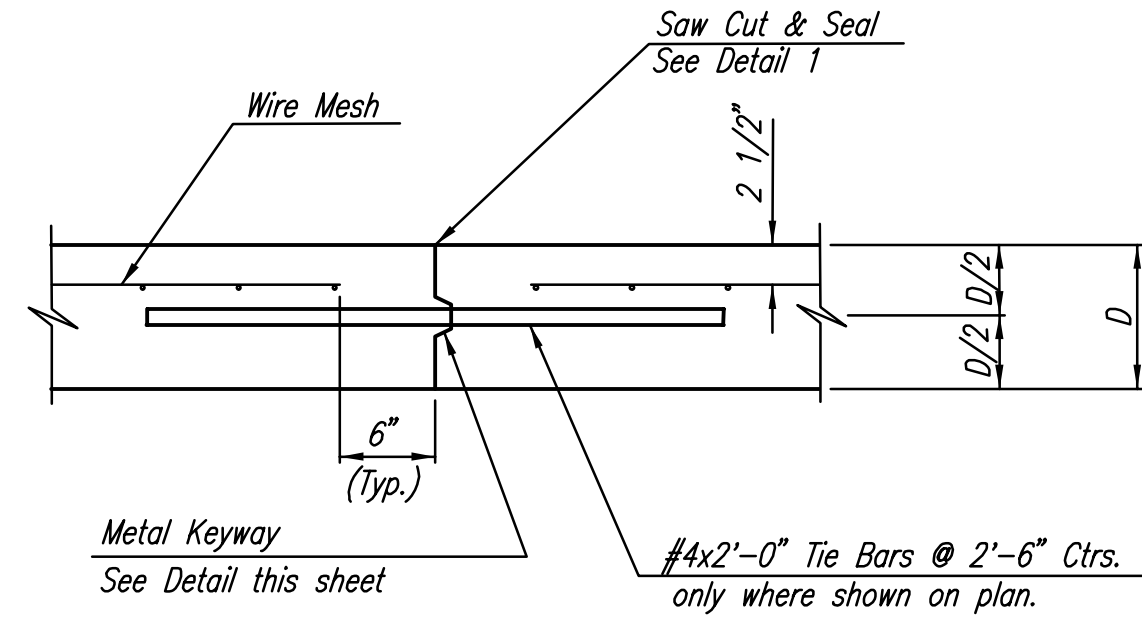
**KEYWAY DETAIL**



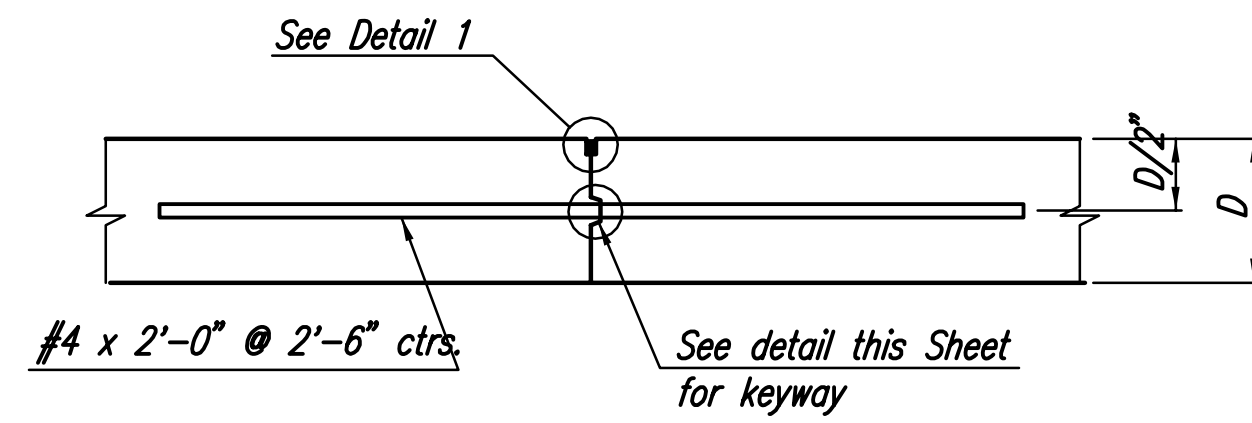
**CONTRACTION JOINT (C.J.)  
UNREINFORCED PAVEMENT**



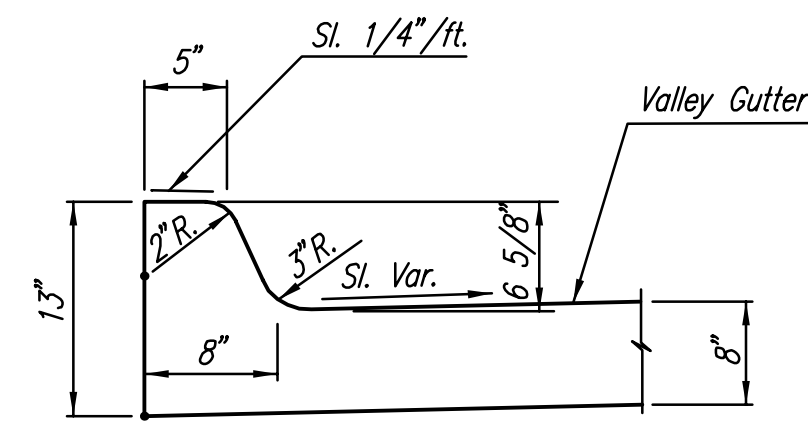
**DETAIL 2  
JOINT SEAL DETAILS**



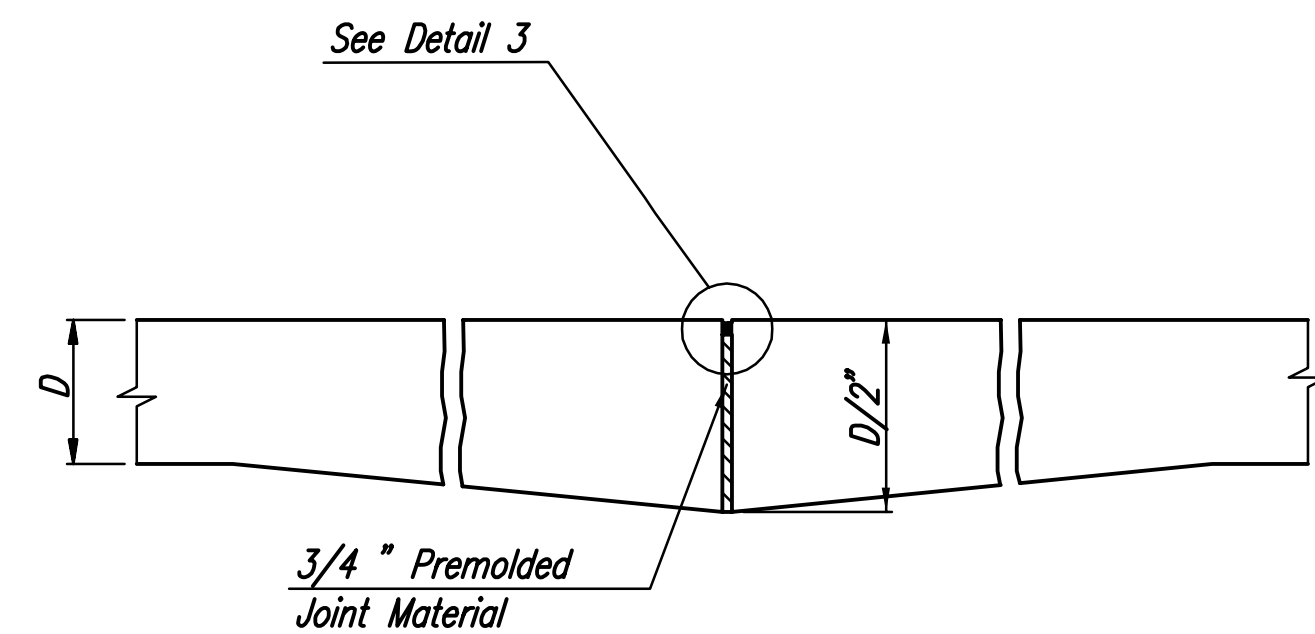
**LONGITUDINAL CONSTRUCTION JOINT DETAIL  
REINFORCED PAVEMENT  
(TRANSVERSE SECTION)  
(ALTERNATE L.J.)**



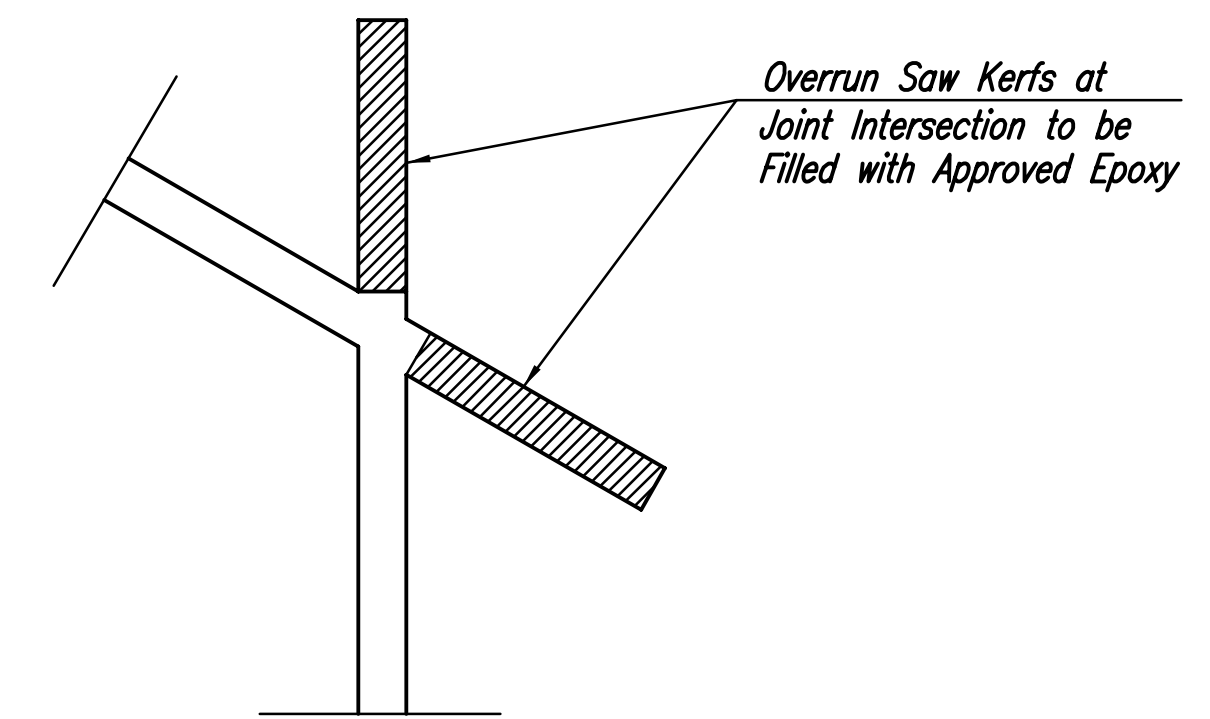
**LONGITUDINAL CONSTRUCTION JOINT (L.J.)  
UNREINFORCED PAVEMENT**



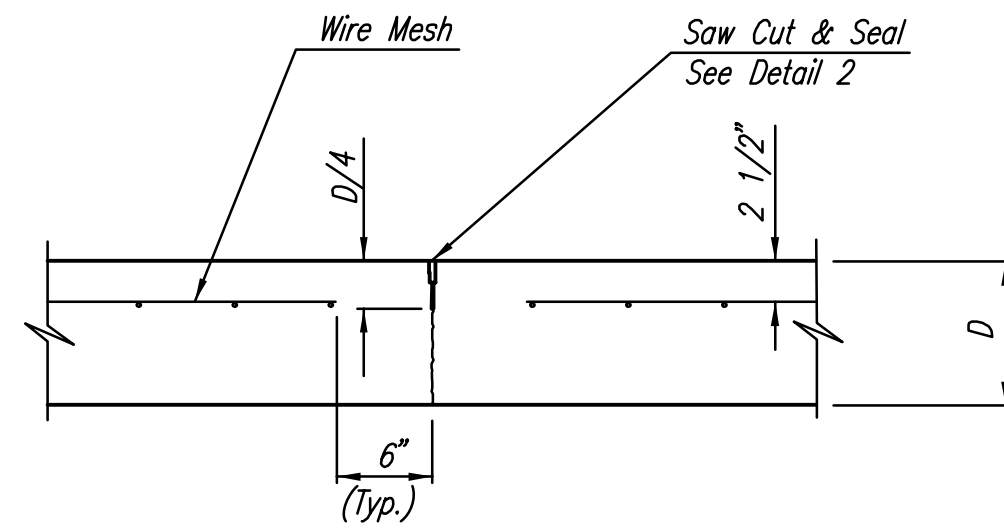
**DETAIL B**



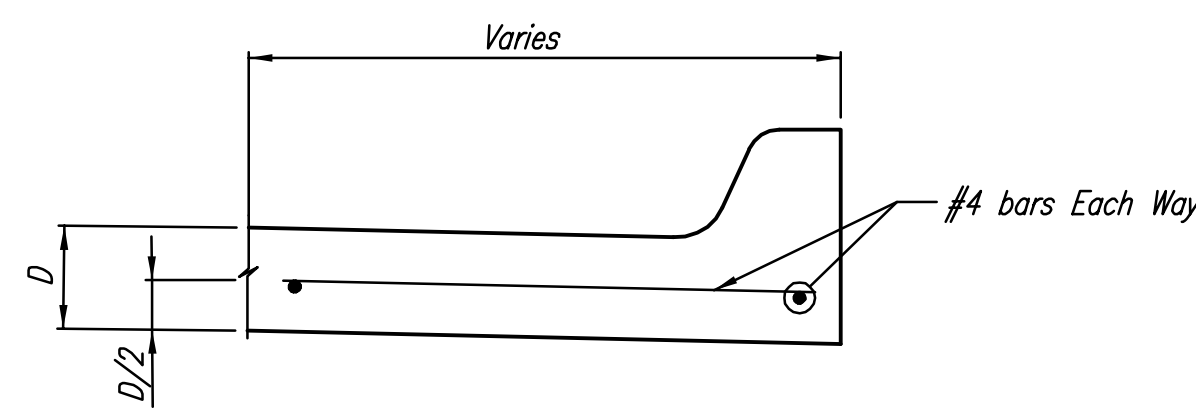
**EXPANSION JOINT (E.J.)**



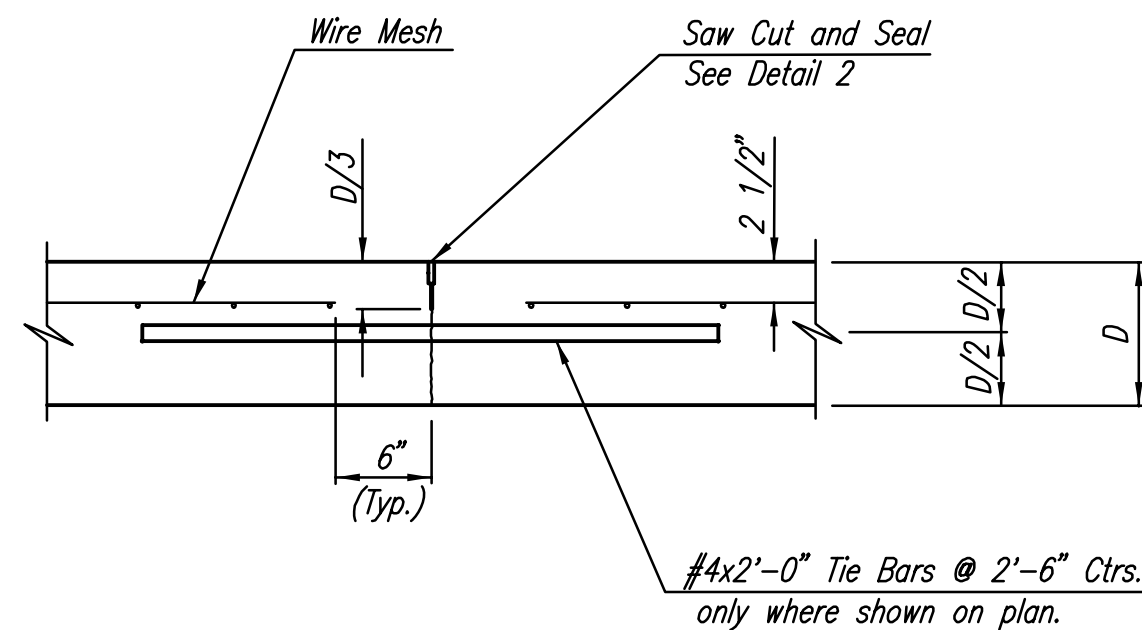
**KERF DETAIL**



**CONTRACTION JOINT DETAIL  
REINFORCED PAVEMENT  
(C.J.)**



**SECTION C-C**



**LONGITUDINAL JOINT DETAIL  
REINFORCED PAVEMENT  
(TRANSVERSE SECTION)  
(L.J.)**

Saved: 02-21-2007 10:40:42 AM by: BJS  
 Plot Scale: 1:10 02-21-2007 4:36:18 PM by: BJS  
 J:\SENTOUT\2005\05416\004\2007-02-21 to City DMV\09-JOINTING DETAILS

No.	Revision	By	Date
21ST STREET KIDS AND FAMILY EMPOWERMENT JARDINE DRIVE-PHASE 2 <b>JOINTING DETAILS</b> JAMES L. ARMOUR, P.E.- CITY ENGINEER CITY OF WICHITA PROJECT NO. 472-84282 <b>Professional Engineering Consultants, P.A.</b> 303 S. TOPEKA • WICHITA, KANSAS 67202 316-262-2691 • FAX 316-262-3003			
Designed by	BDB, BMM	Job No.	35-05416-004
Drawn by	BJS, TAT	Date	October 2005
			Sheet 9 of 32