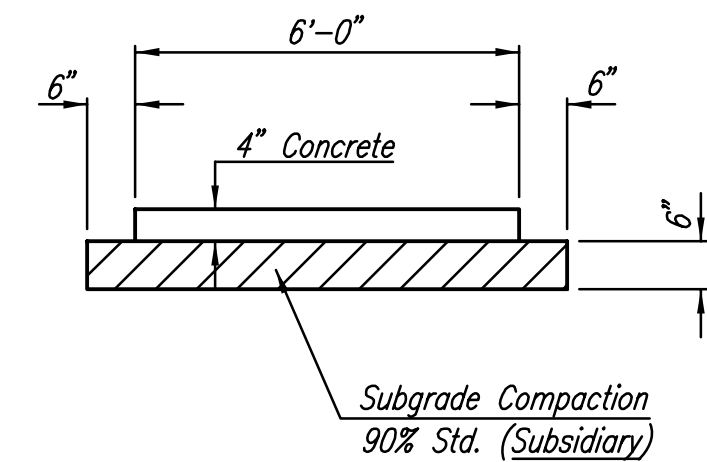
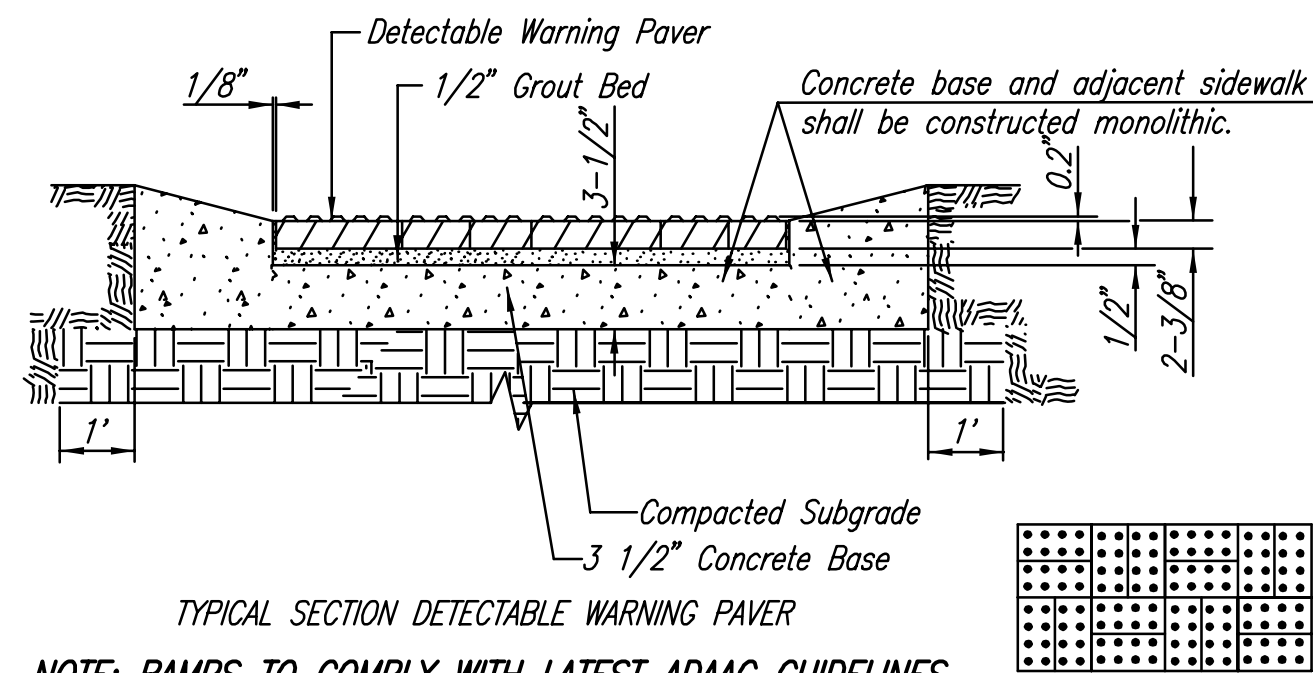


COMPACTED FILL DETAIL
 WHERE SIDEWALK IS CONSTRUCTED
 (See Plan Sheets for Locations)



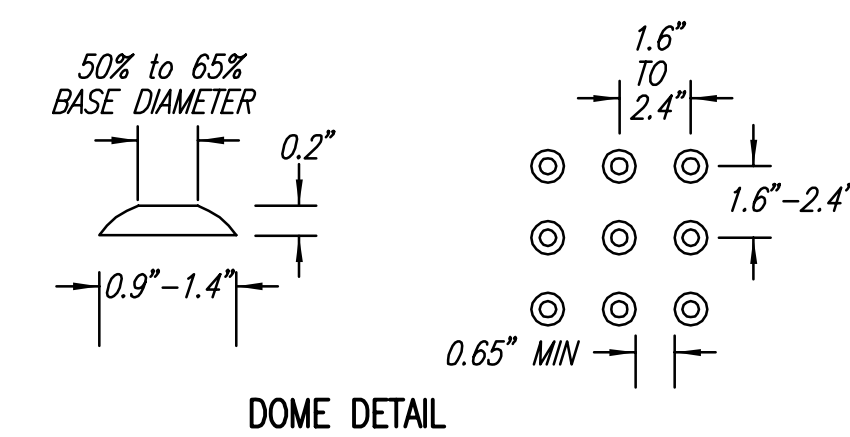
TYPICAL SIDEWALK SECTION
 (See "Compacted Fill Detail" when
 Constructing Sidewalk on Fill)



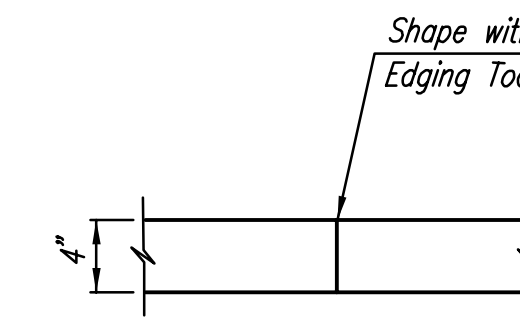
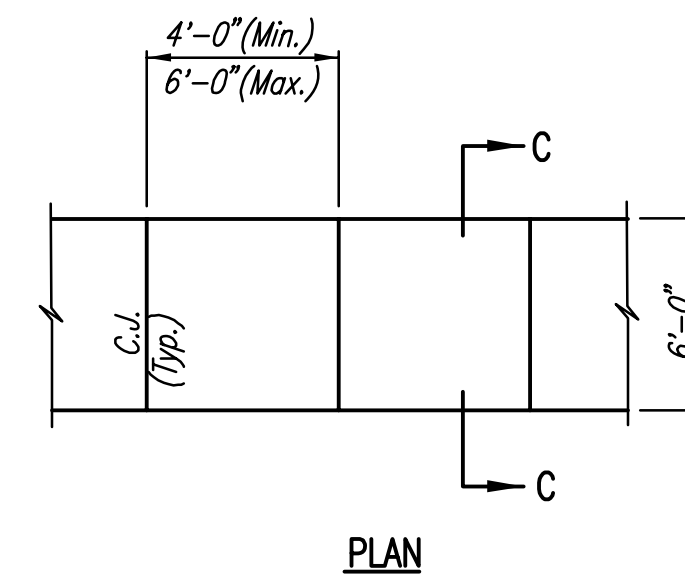
TYPICAL SECTION DETECTABLE WARNING PAVER

NOTE: RAMPS TO COMPLY WITH LATEST ADAAG GUIDELINES. PAVESTONE DETECTABLE WARNING PAVERS (OR AN APPROVED EQUAL) SHALL BE USED IN ALL WHEELCHAIR RAMPS. THE RED PAVER SHALL BE INSTALLED USING A BASKET WEAVE/PARQUET PATTERN. OTHER PATTERNS MAY BE USED WITH APPROVAL OF ENGINEER. SAND FILL JOINTS. ALIGN DOMES IN THE DIRECTION OF PEDESTRIAN TRAVEL.

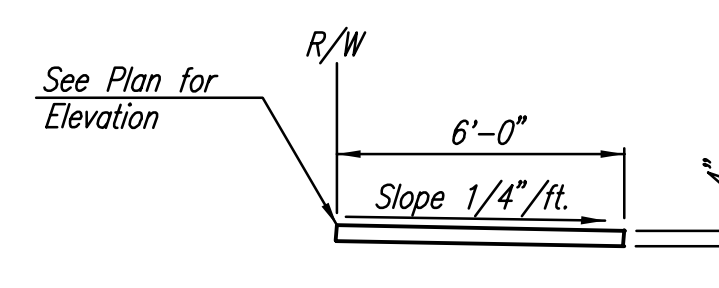
SECTION B-B



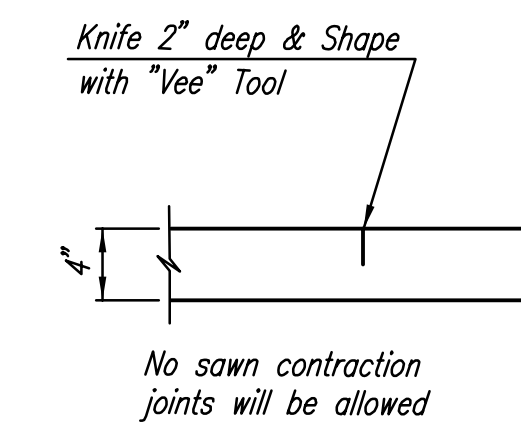
DOMES DETAIL



CONSTRUCTION JOINT

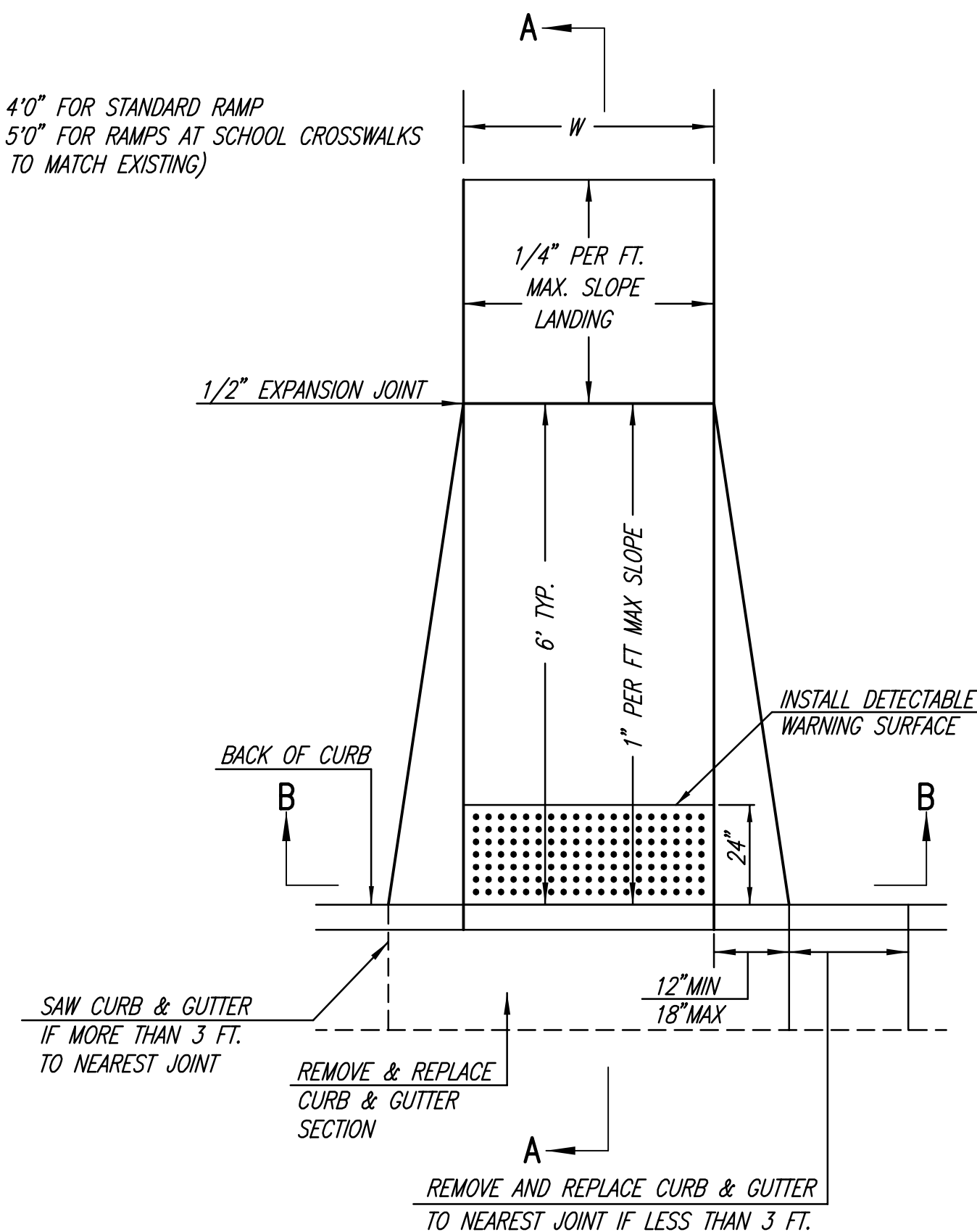


SECTION C-C

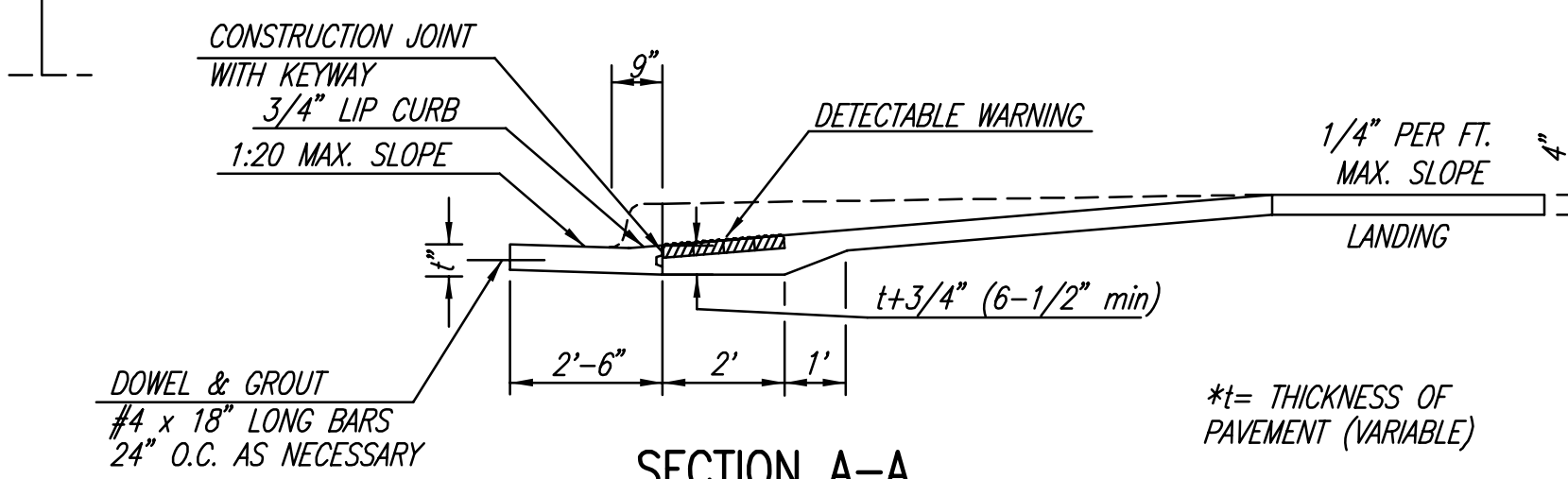


CONTRACTION JOINT

W= 4'0" FOR STANDARD RAMP
 W= 5'0" FOR RAMPS AT SCHOOL CROSSWALKS
 (OR TO MATCH EXISTING)



(TYPE A)
STANDARD WHEELCHAIR RAMP
WITH DETECTABLE WARNING
CONSTRUCTION DETAIL FOR STREETS
WITH COMBINED CURB & GUTTER



TYPICAL WHEELCHAIR RAMP DETAILS

AUGUST 4, 2003

4" WALK DETAILS

S:\02-21-2007\10:41:44 AM by BJS
 Plot Scale: 1:10 02-21-2007 4:35:43 PM by BJS
 J:\SEN\001\2005\05416\004\2007-02-21 to City\DWG\10-MISC PAVING DETAILS

No.	Revision	By	Date
21ST STREET KIDS AND FAMILY EMPOWERMENT JARDINE DRIVE-PHASE 2			
MISCELLANEOUS PAVING DETAILS			
JAMES L. ARMOUR, P.E.- CITY ENGINEER CITY OF WICHITA PROJECT NO. 472-84282			
Professional Engineering Consultants, P.A. 303 S. TOPEKA • WICHITA, KANSAS 67202 316-262-2691 • FAX 316-262-3003			
Designed by	BDB, BMM	Job No.	35-05416-004
Drawn by	BJS, TAT	Date	October 2005
			Sheet 10 of 32

