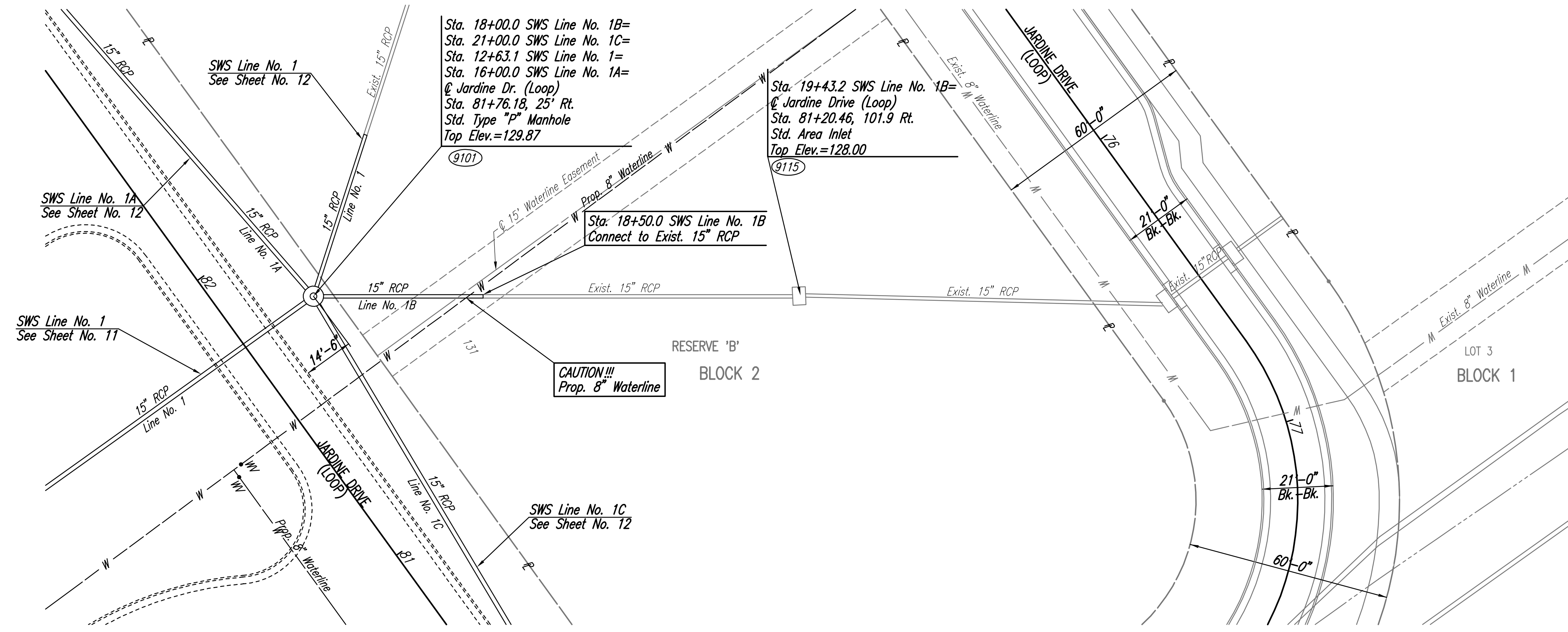


PLAN
 CHECKED
 CHECKED
 BY
 DATE

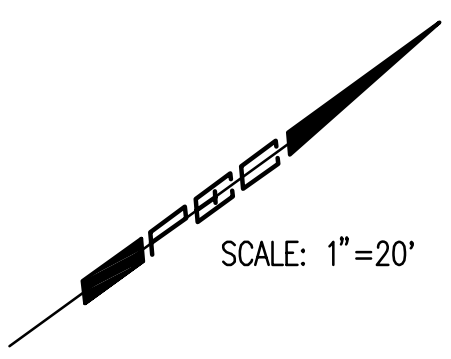
PROFILE
 CHECKED
 CHECKED
 BY
 DATE

Plotted 02-21-2007 10:52:04 AM by BUS
 Plot Scale 1:20 02-21-2007 4:27:11 PM by REJ
 J:\SENTOU\2005\05416\004\2007-02-21 to City DMC\13-SWS LINE NO. 1B

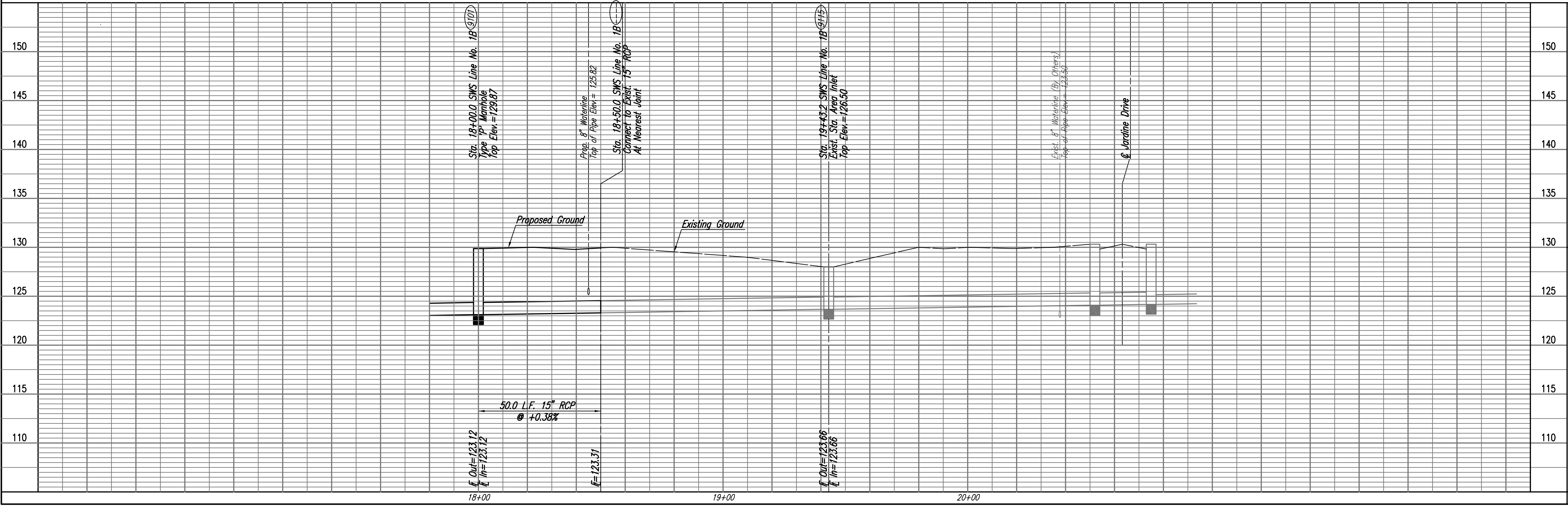


COORDINATE LIST		
POINT	NORTH	EAST
9101	6,464.9023	4,423.0459
9115	6,580.9241	4,506.9717

9101 = COORDINATE POINT NO.
 SEE SHEET NO. 3 FOR PLAT COORDINATES



SWS LINE NO. 1B



Professional Engineering Consultants, P.A.
 303 S. TORRENS, WICHITA, KANSAS 67202
 316-262-2291 • FAX 316-262-3063

Designed By: BDB, BMM
 Drawn By: BUS, FAT

Job No.: 35-05416-004
 Date: October 2005

21ST STREET KIDS AND FAMILY EMPOWERMENT
 JARDINE DRIVE-PHASE 2
SWS LINE NO. 1B
 STA. 18+00.0 TO STA. 18+50.0
 JAMES L. ARMOUR, P.E.-CITY ENGINEER
 CITY OF WICHITA PROJECT NO. 472-84282