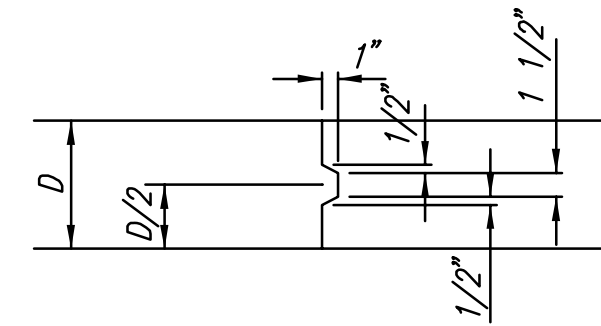
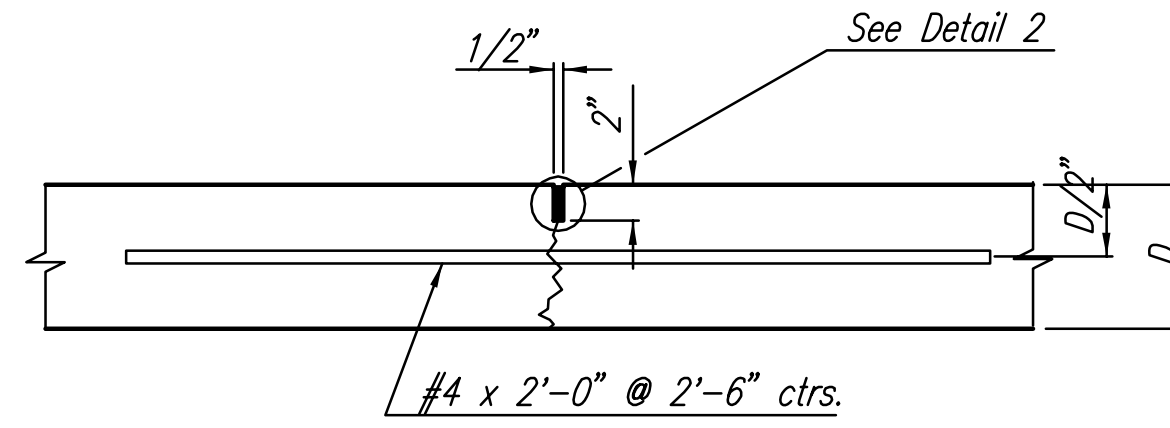


WING REINFORCING DETAIL

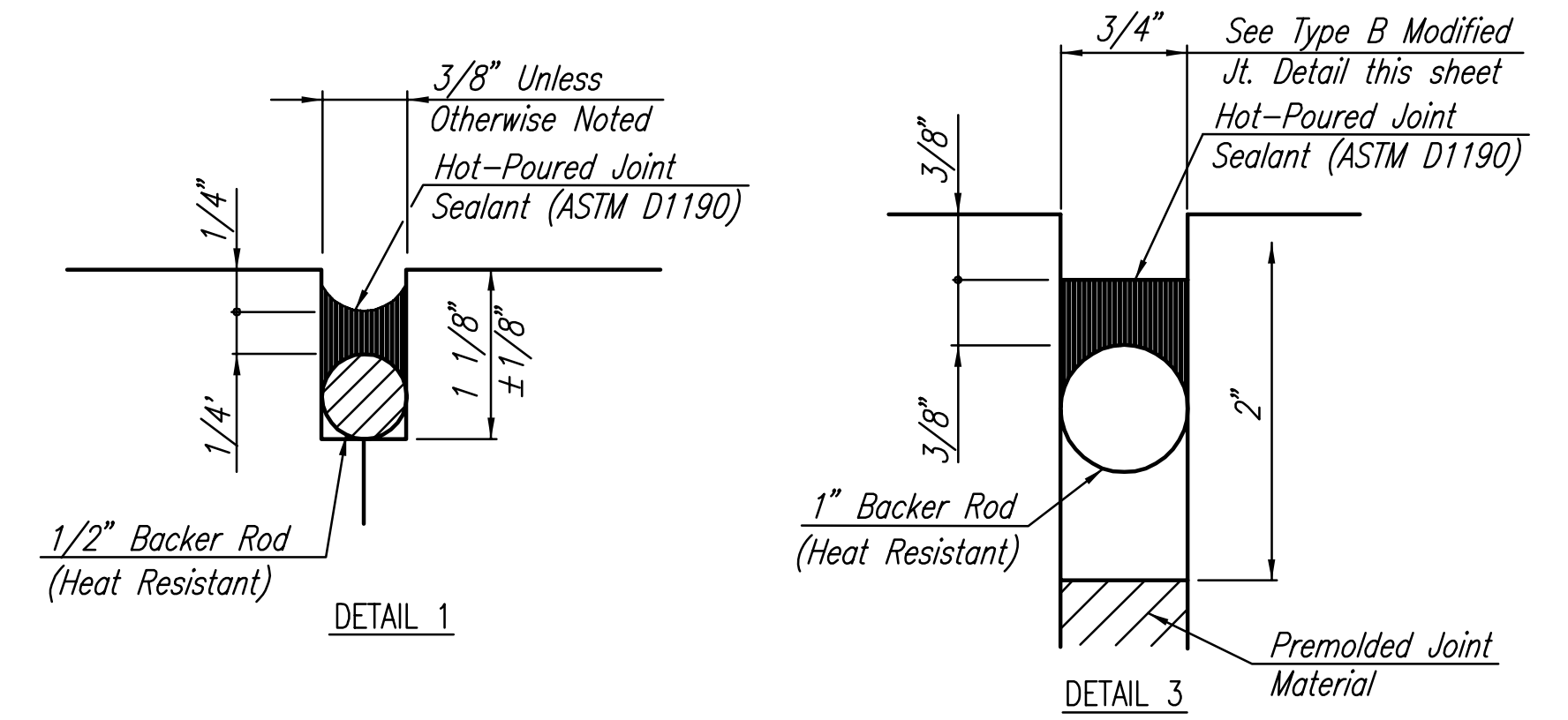
NOTE: OMIT WIRE FABRIC REINFORCING IN THIS SECTION.



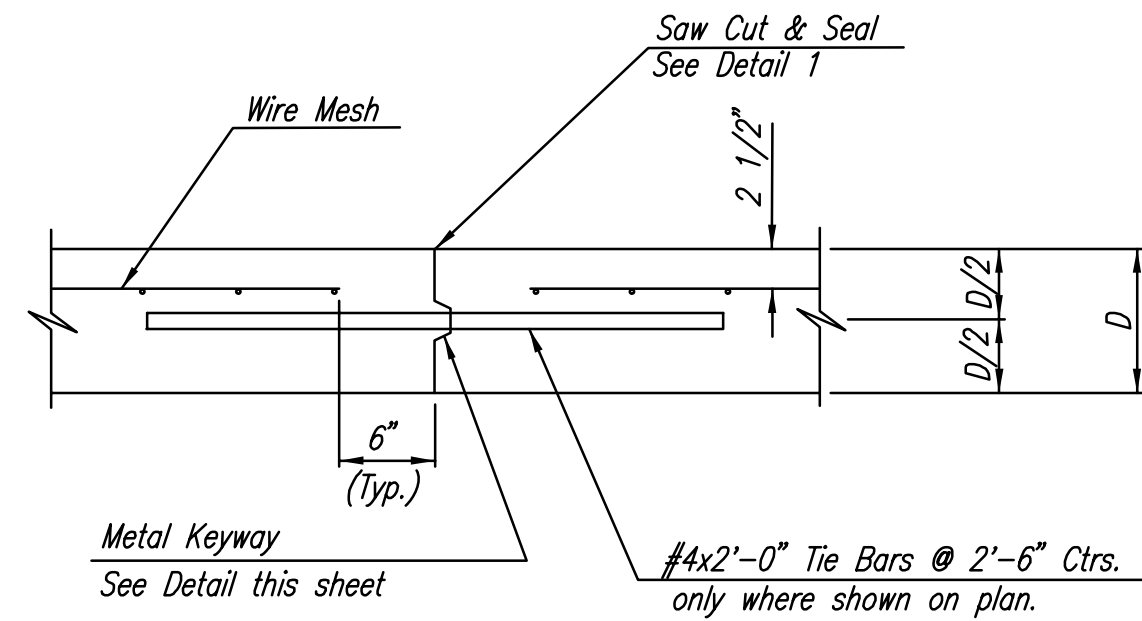
KEYWAY DETAIL



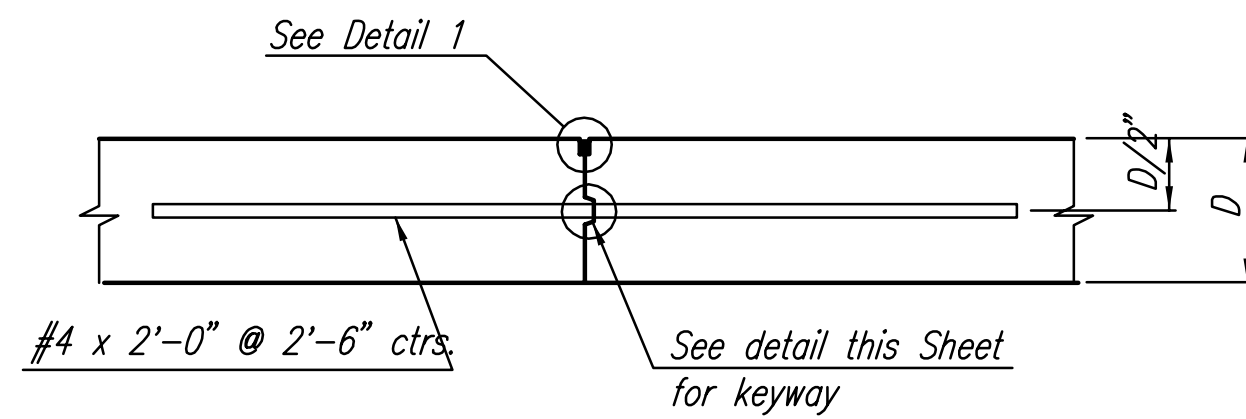
**CONTRACTION JOINT (C.J.)
UNREINFORCED PAVEMENT**



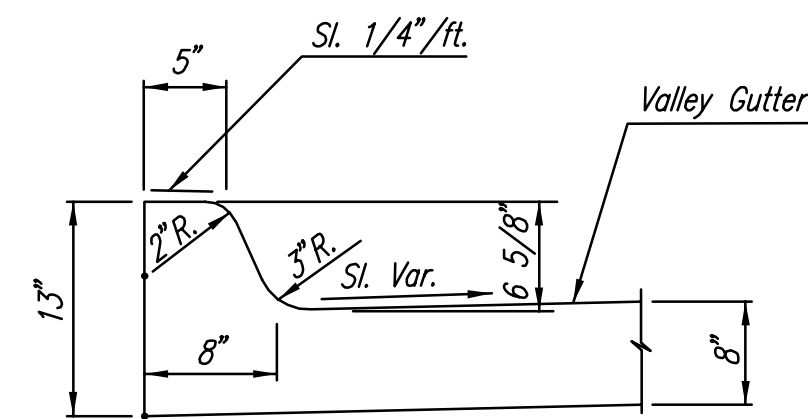
JOINT SEAL DETAILS



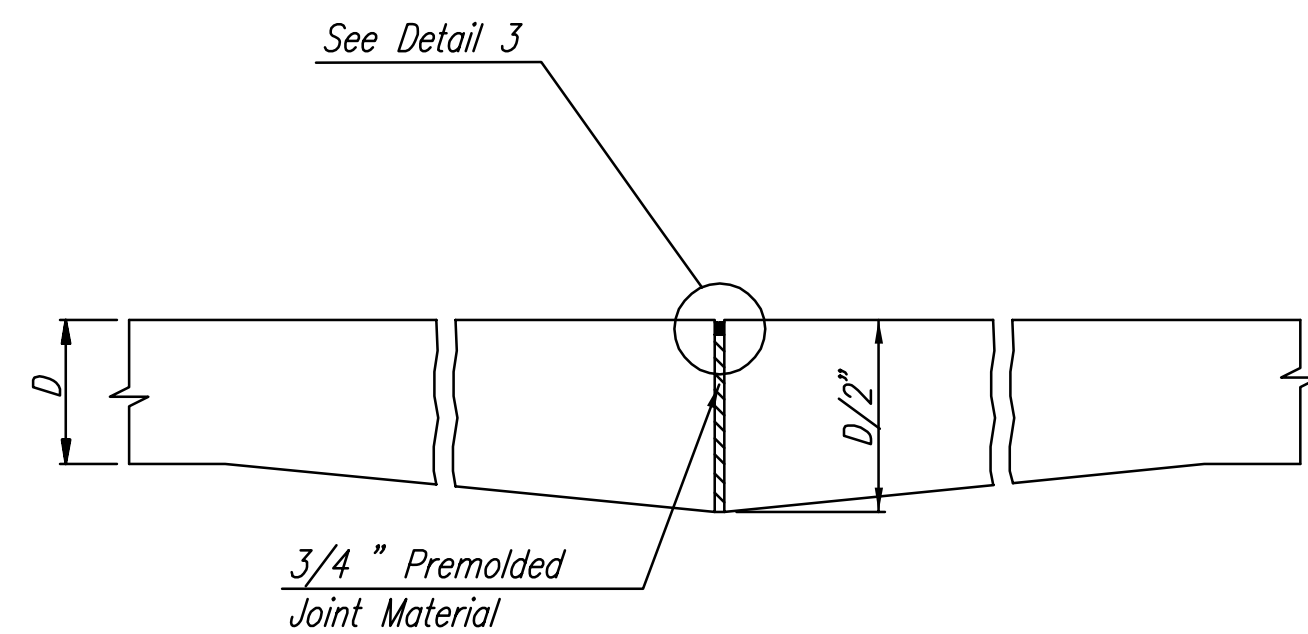
**LONGITUDINAL CONSTRUCTION JOINT DETAIL
REINFORCED PAVEMENT
(TRANSVERSE SECTION)
(ALTERNATE L.J.)**



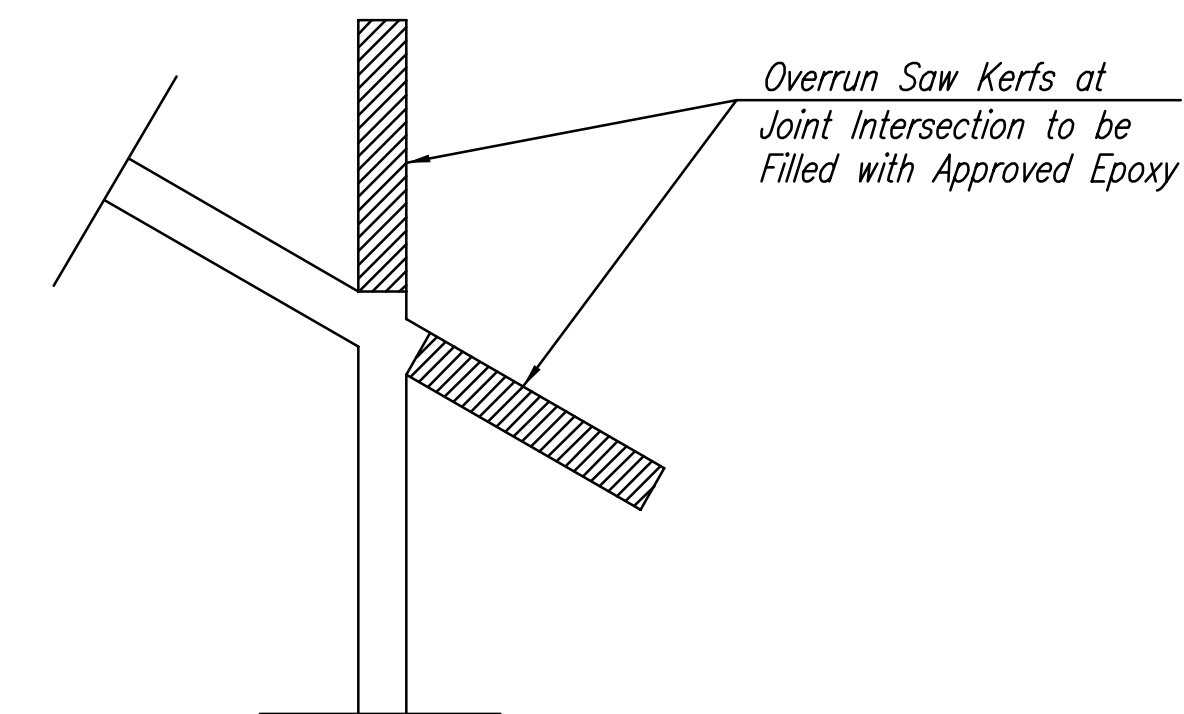
**LONGITUDINAL CONSTRUCTION JOINT (L.J.)
UNREINFORCED PAVEMENT**



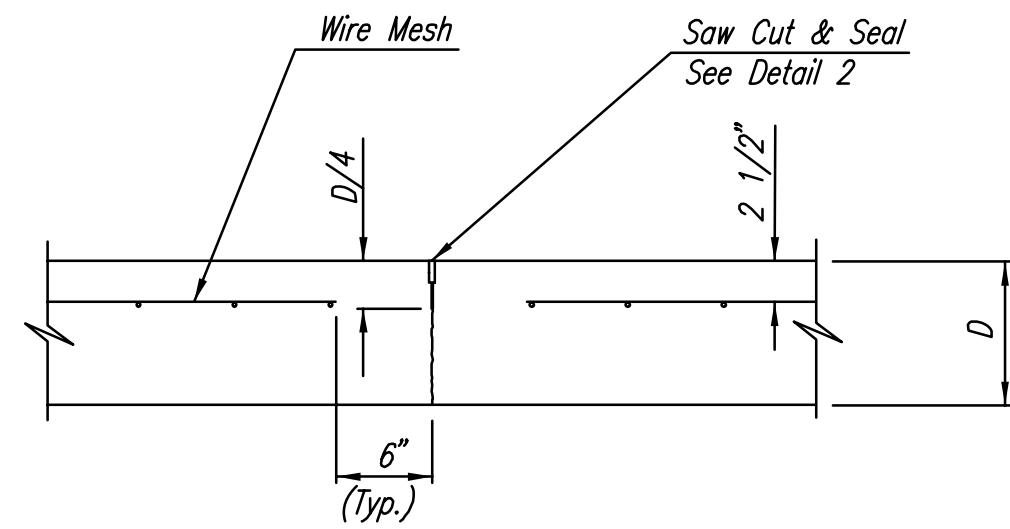
DETAIL B



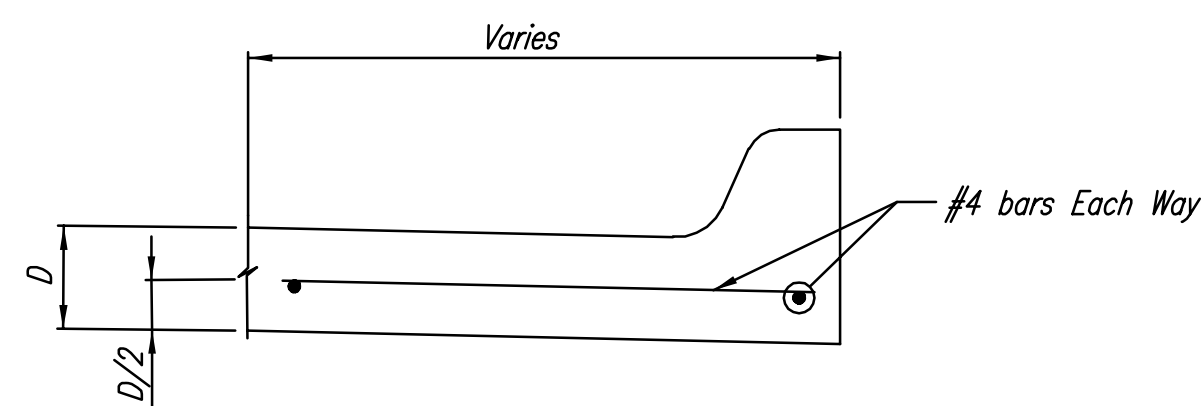
EXPANSION JOINT (E.J.)



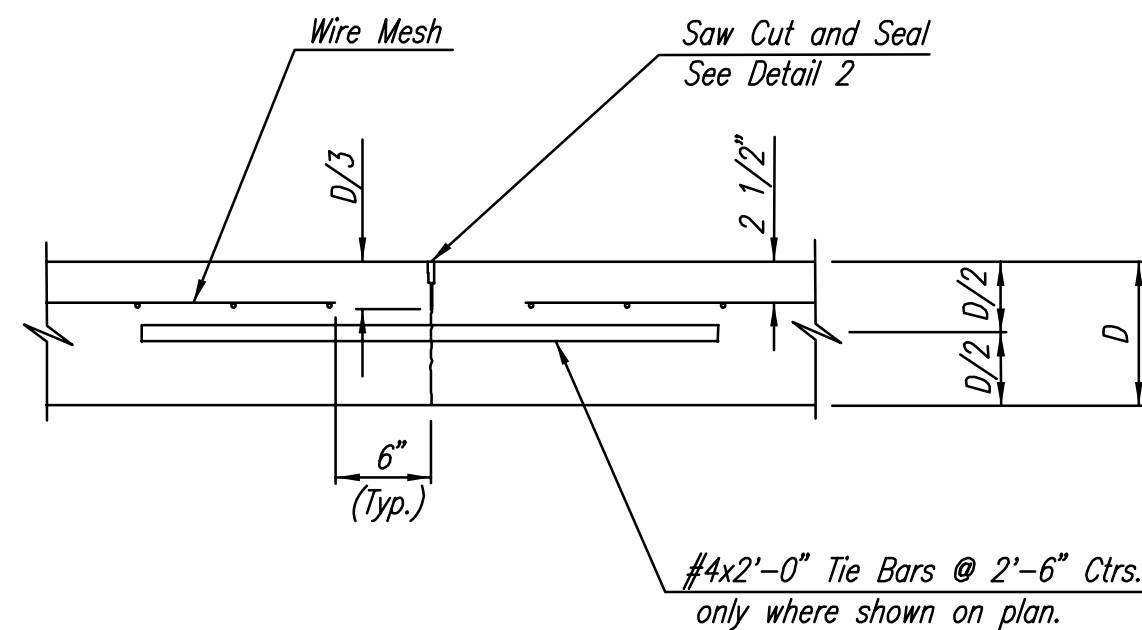
KERF DETAIL



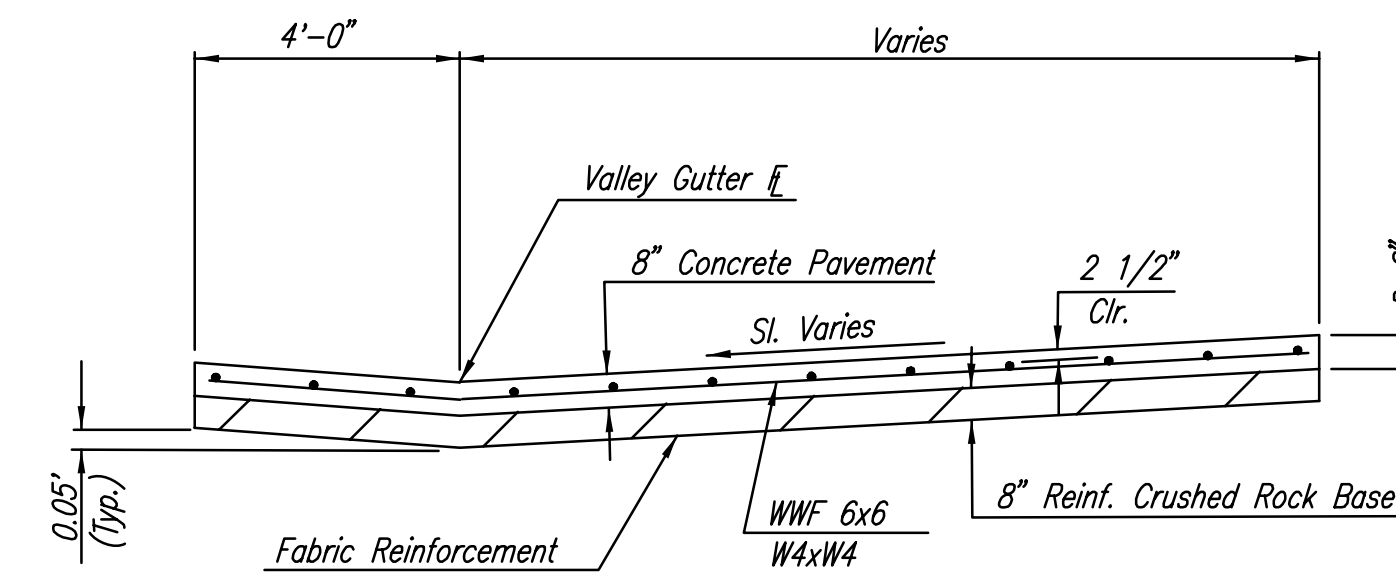
**CONTRACTION JOINT DETAIL
REINFORCED PAVEMENT
(C.J.)**



SECTION C-C

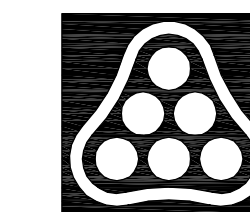


**LONGITUDINAL JOINT DETAIL
REINFORCED PAVEMENT
(TRANSVERSE SECTION)
(L.J.)**



SECTION A-A

NOTE: OMIT REINFORCING MESH AT ALL JOINTS
NOTE: ALL CONCRETE VALLEY GUTTER REINFORCEMENT SHALL BE ADEQUATELY SUPPORTED BY BAR CHAIRS IN THE REQUIRED POSITION UNLESS APPROVED OTHERWISE BY THE ENGINEER.



No.	Revision	By	Date
21ST STREET KIDS AND FAMILY EMPOWERMENT			
JOINTING DETAILS			
JAMES L. ARMOUR, P.E. - CITY ENGINEER CITY OF WICHITA PROJECT NO. 472-84282			
Professional Engineering Consultants, P.A. 303 S. TOPEKA • WICHITA, KANSAS 67202 316-262-2691 • FAX 316-262-3003			
Designed by	BLB, BDB	Job No.	35-05416-000
Drawn by	SAW	Date	OCTOBER 2005
			Sht. 19 of 53