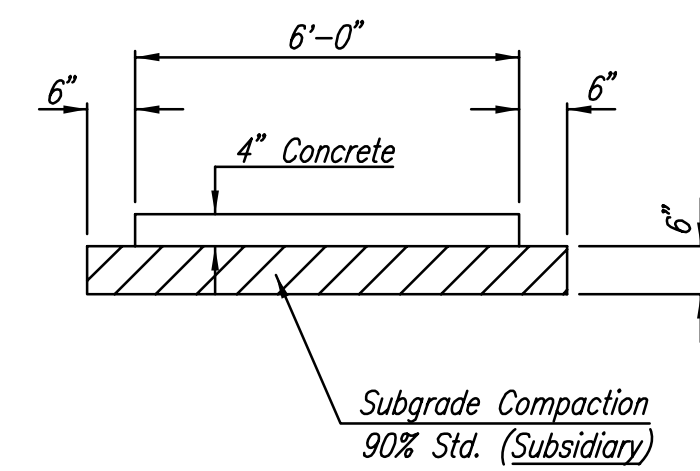
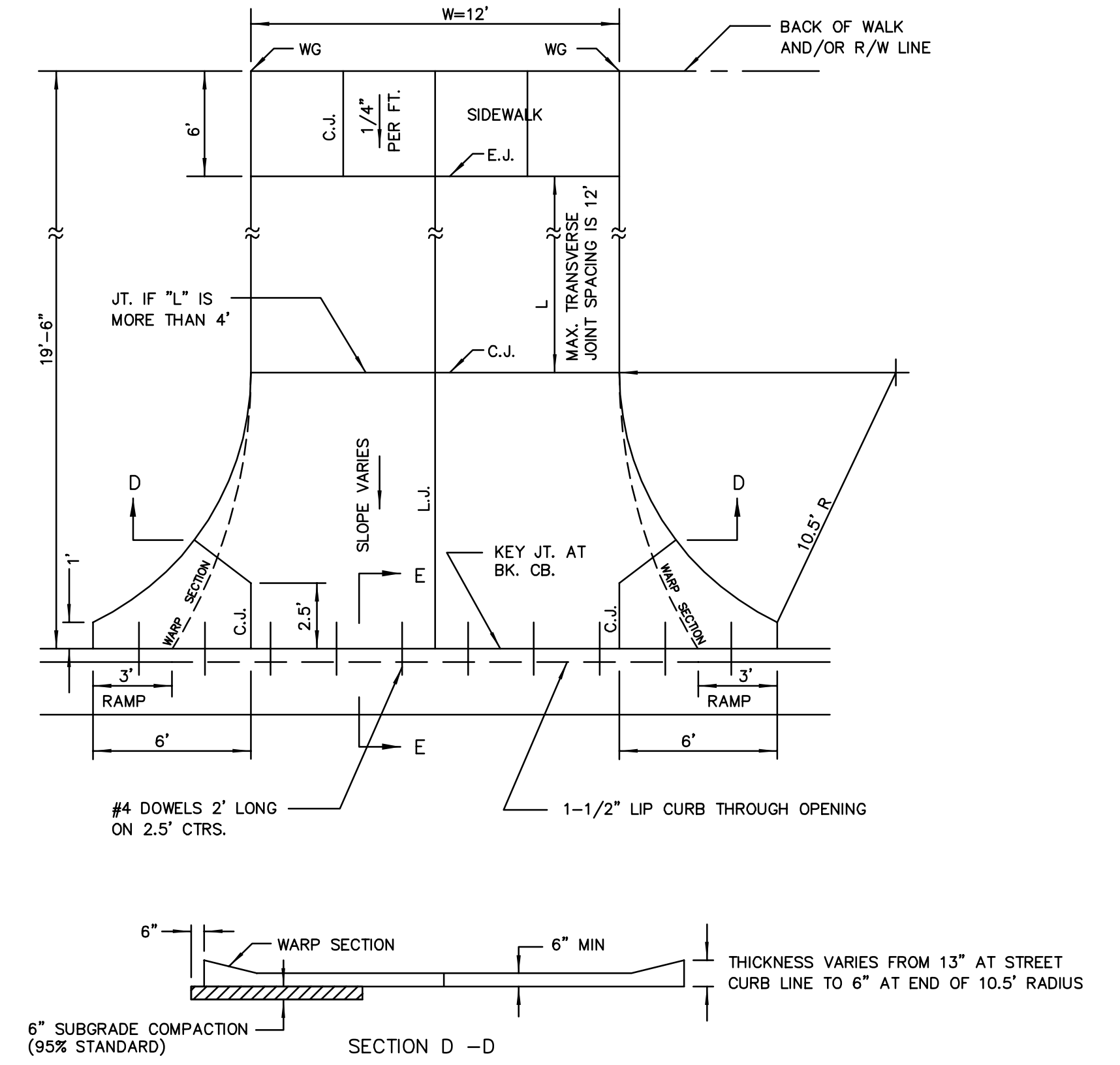


COMPACTED FILL DETAIL
WHERE SIDEWALK IS CONSTRUCTURED
(See Plan Sheets for Locations)

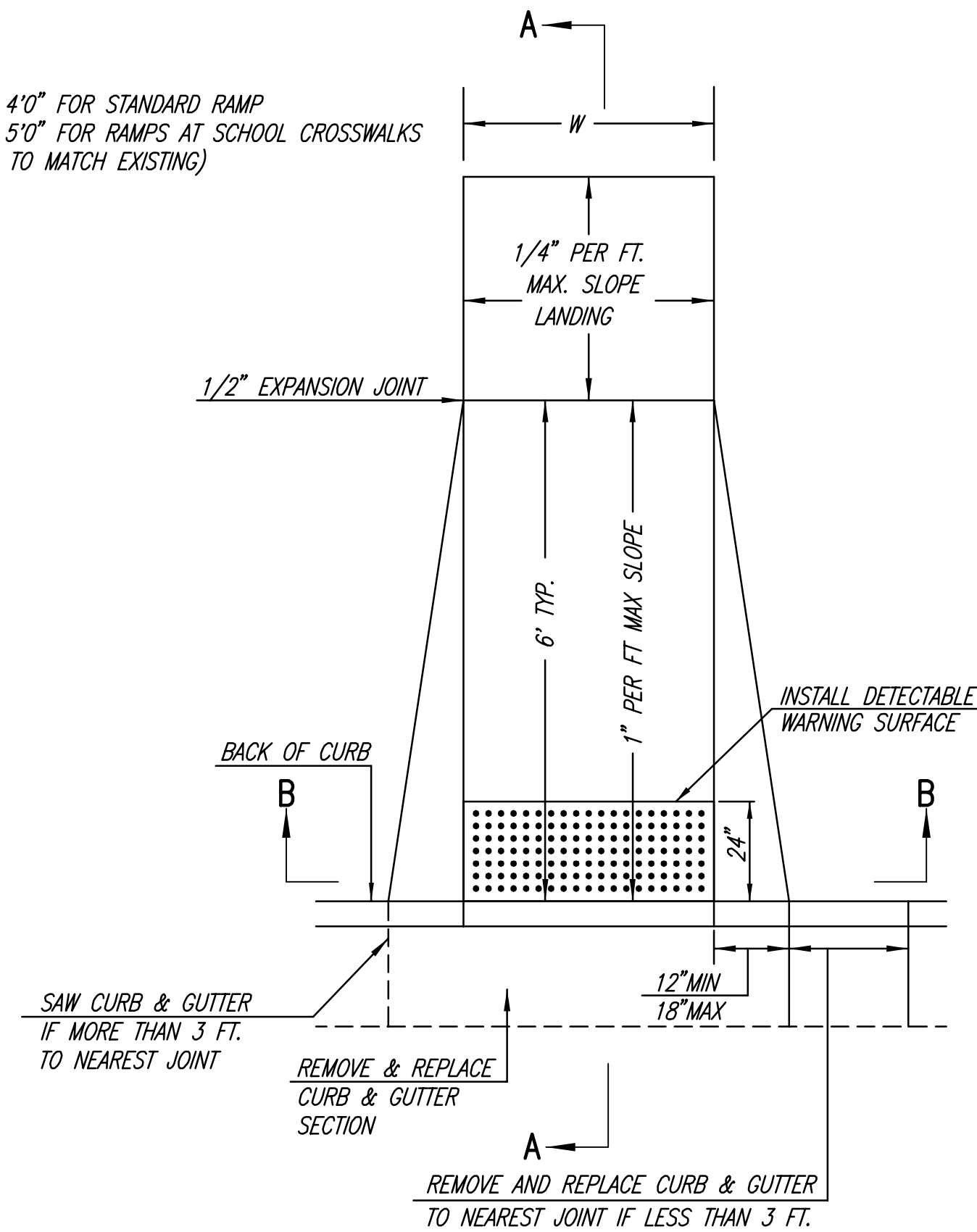


TYPICAL SIDEWALK SECTION
(See "Compacted Fill Detail" when
Constructing Sidewalk on Fill)

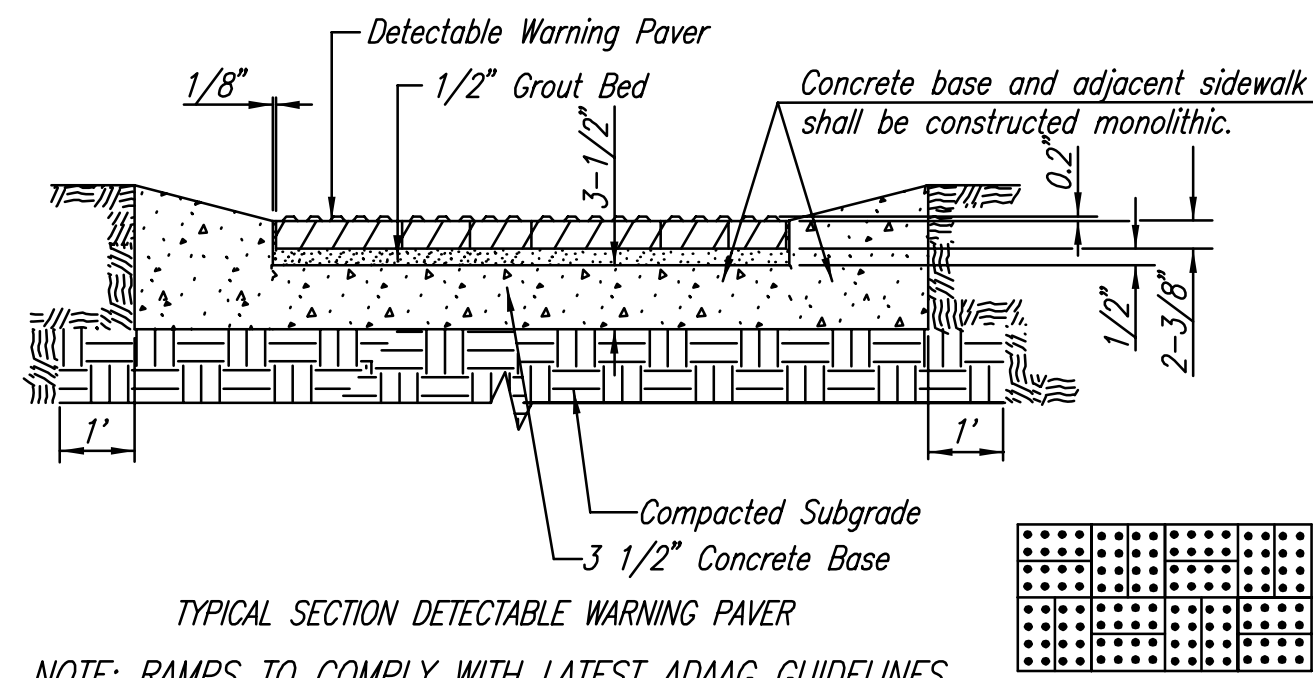


BACK OF CURB DETAIL

W= 4'-0" FOR STANDARD RAMP
W= 5'-0" FOR RAMP AT SCHOOL CROSSWALKS
(OR TO MATCH EXISTING)

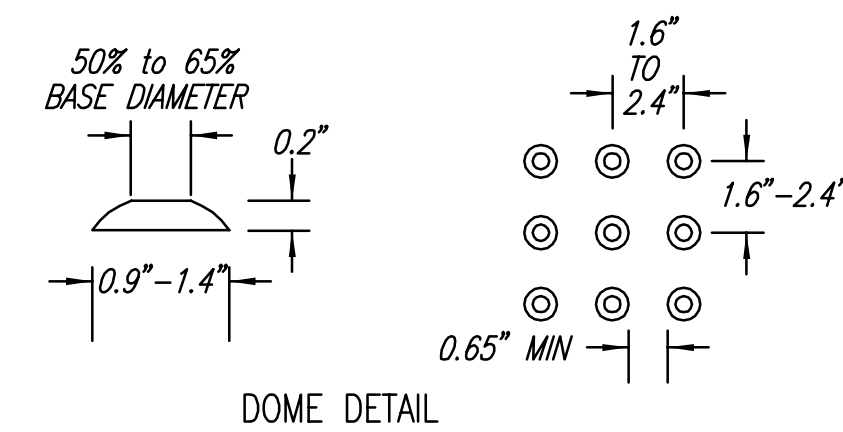


(TYPE A)
STANDARD WHEELCHAIR RAMP
WITH DETECTABLE WARNING
CONSTRUCTION DETAIL FOR STREETS
WITH COMBINED CURB & GUTTER

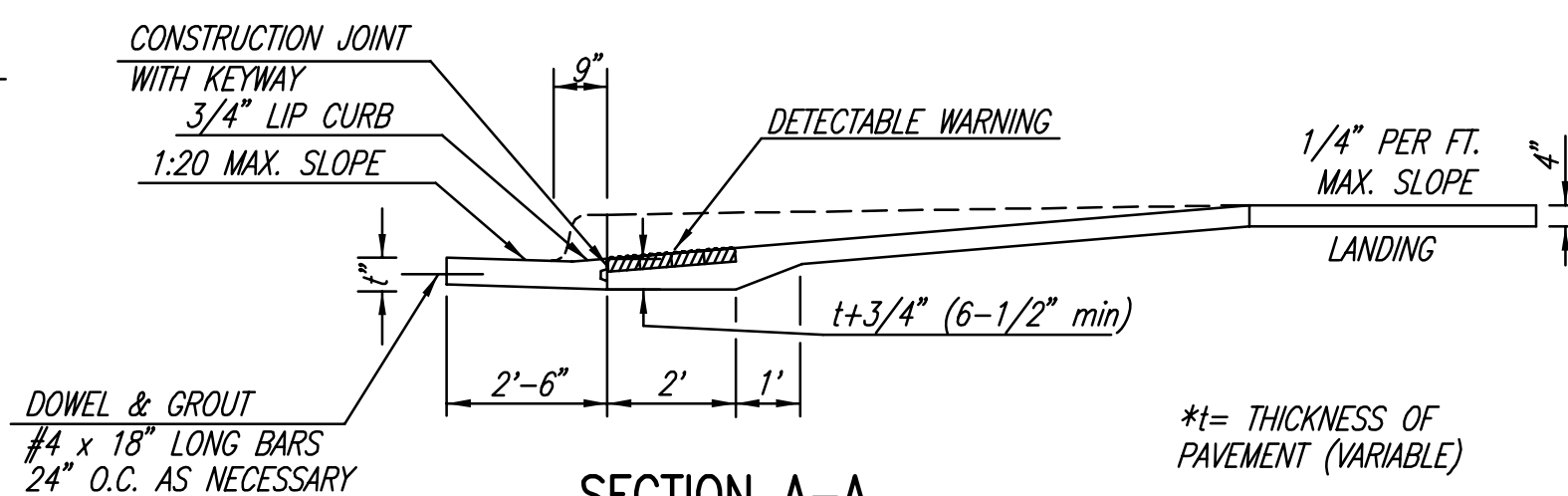


NOTE: RAMP TO COMPLY WITH LATEST ADAAG GUIDELINES.
PAVESTONE DETECTABLE WARNING PAVERS (OR AN APPROVED EQUAL) SHALL
BE USED IN ALL WHEELCHAIR RAMP. THE RED PAVER SHALL BE INSTALLED USING
A BASKET WEAVE/PARQUET PATTERN. OTHER PATTERNS MAY BE USED WITH APPROVAL OF
ENGINEER. SAND FILL JOINTS. ALIGN DOMES IN THE DIRECTION OF PEDESTRIAN TRAVEL.

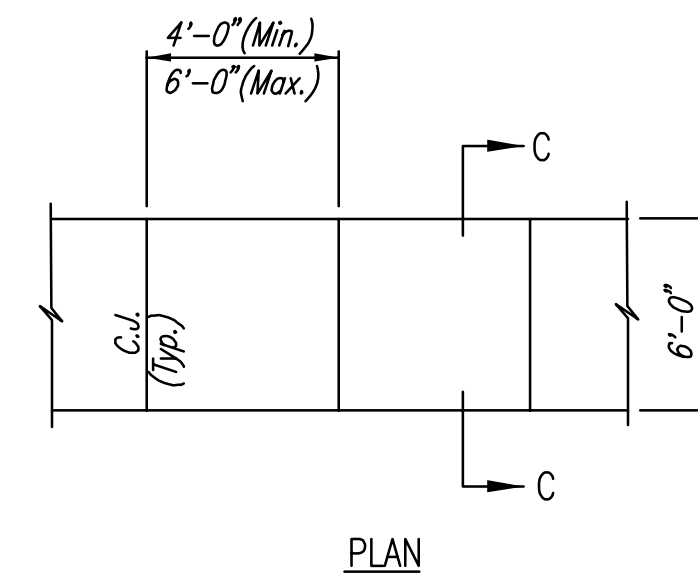
SECTION B-B



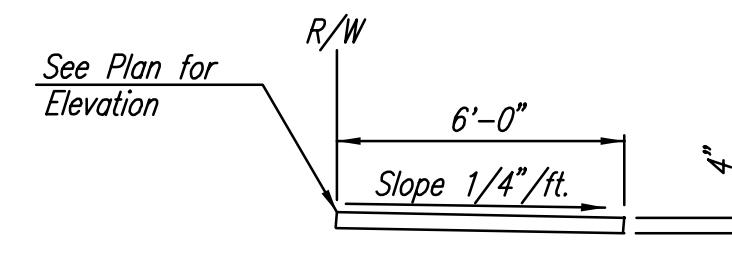
SECTION A-A



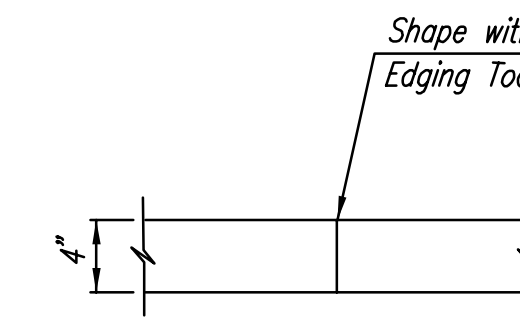
TYPICAL WHEELCHAIR RAMP DETAILS



PLAN

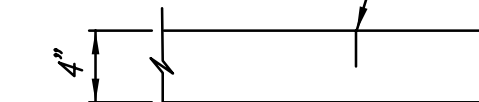


SECTION C-C



CONSTRUCTION JOINT

Knife 2" deep & Shape
with "Vee" Tool



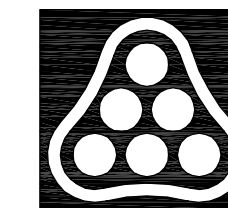
CONTRACTION JOINT

No sawn contraction
joints will be allowed

4" WALK DETAILS

AUGUST 4, 2003

Sheet 12-20-2005 1:53:04 PM by BLS
Plot Scale 1:10 12-21-2005 8:09:06 AM by GSG
J:\SEN\001\2005\05416\2005-12-20 to City\Planing and Drain\DWG\20-MISC PAVING DETAILS



No.	Revision	By	Date
21ST STREET KIDS AND FAMILY EMPOWERMENT			
MISCELLANEOUS PAVING DETAILS			
JAMES L. ARMOUR, P.E. - CITY ENGINEER CITY OF WICHITA PROJECT NO. 472-84282			
Professional Engineering Consultants, P.A. 303 S. TOPEKA • WICHITA, KANSAS 67202 316-262-2691 • FAX 316-262-3003			
Designed by	BLB, BDB	Job No.	35-05416-000
Drawn by	SAW	Date	OCTOBER 2005
			Sht. 20 of 53