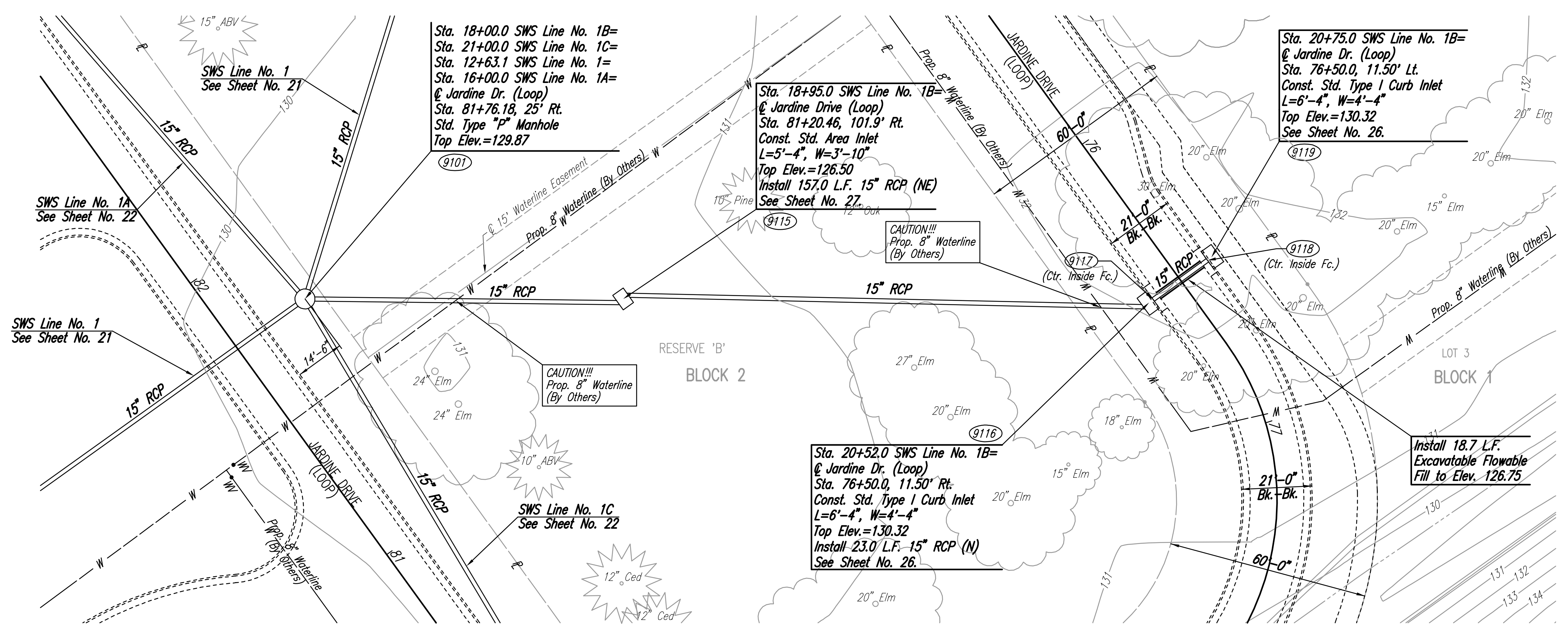
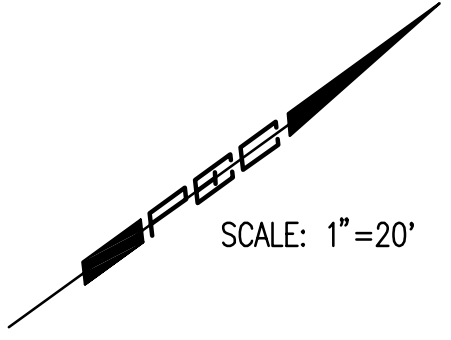


PLAN	CHECKED	CHECKED
BY		
DATE		



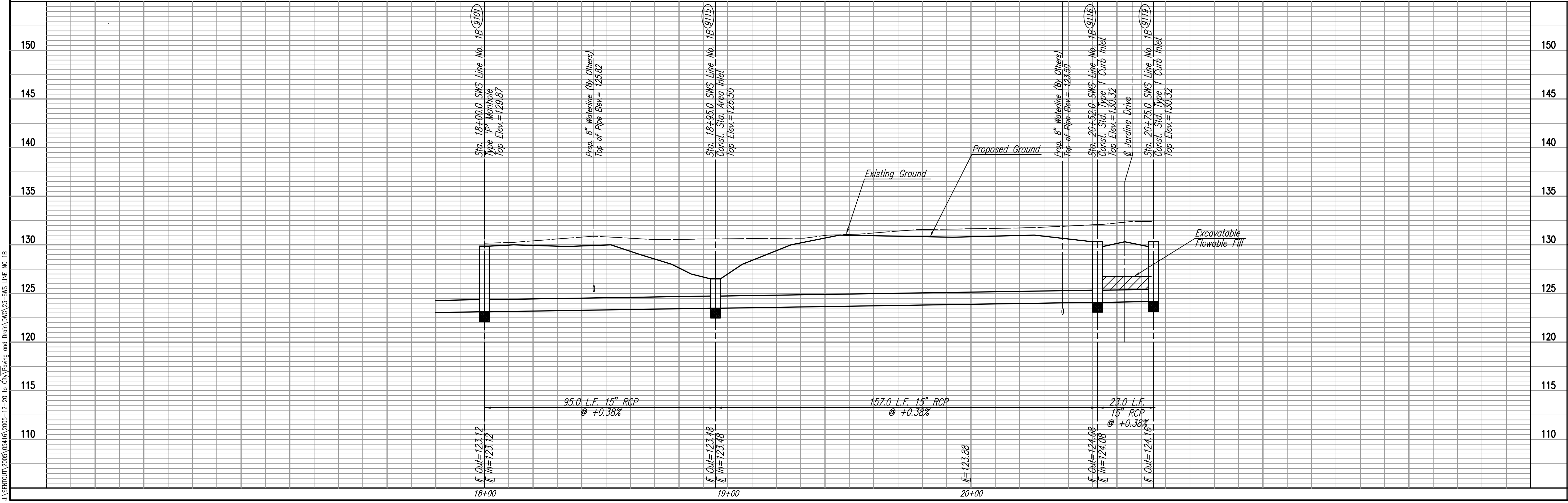
COORDINATE LIST		
POINT	NORTH	EAST
9101	6,464.9023	4,423.0459
9115	6,541.8463	4,478.7650
9116	6,668.3977	4,571.7231
9117	6,669.8972	4,571.7231
9118	6,689.8972	4,571.7231
9119	6,691.3967	4,571.7231

9101 = COORDINATE POINT NO.  
SEE SHEET NO. 3 FOR PLAT COORDINATES



PROFILE	CHECKED	CHECKED
BY		
DATE		

SWS LINE NO. 1B



Printed 12-20-2005 5:01:26 PM by B.S.  
Plot Scale 1:20 12-21-2005 8:24:03 AM by GSG  
J:\SENTOU\2005\05416\2005-12-20 to City\Planing and Drain\DWG\23-SWS LINE NO. 1B

21ST STREET KIDS AND FAMILY EMPOWERMENT

**SWS LINE NO. 1B**  
STA. 18+00.0 TO STA. 20+75.0

Professional Engineering Consultants, P.A.  
303 S. TOPEKA, WICHITA, KANSAS 67202  
316-262-2291 • FAX 316-262-3063

Designed By: BDB, BLB  
Drawn By: SAW

Job No. 35-05416-000  
Date October 2005

Sheet 23 of 53