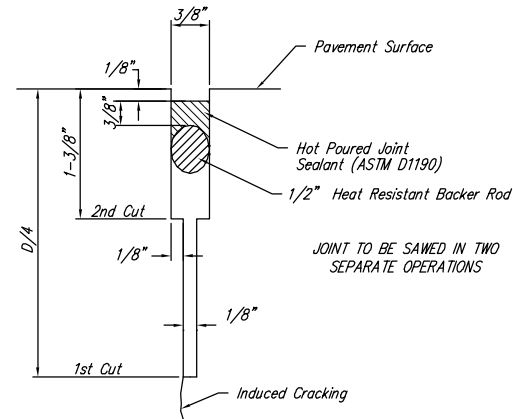
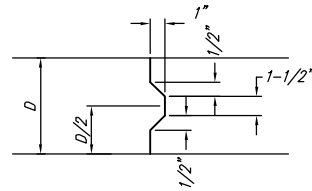


**EXPANSION JOINT**

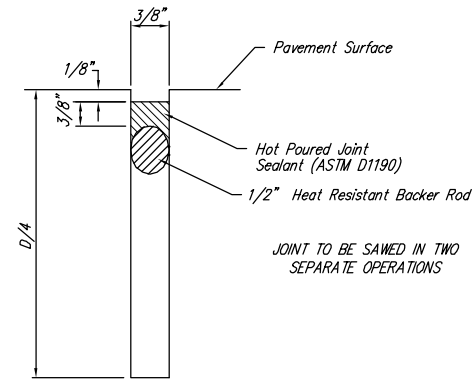
NOTE: Extra Thickness to be Subsidiary to Price of Square Yards Pavement



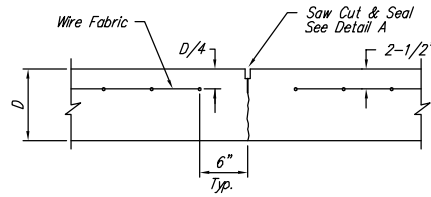
**SAW JOINT DETAIL "A"**



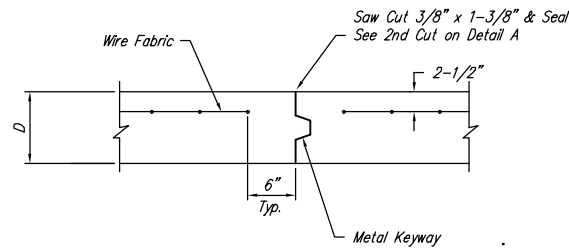
**KEYWAY DETAIL**



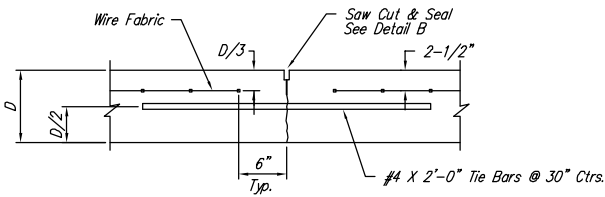
**SAW JOINT DETAIL "B"**



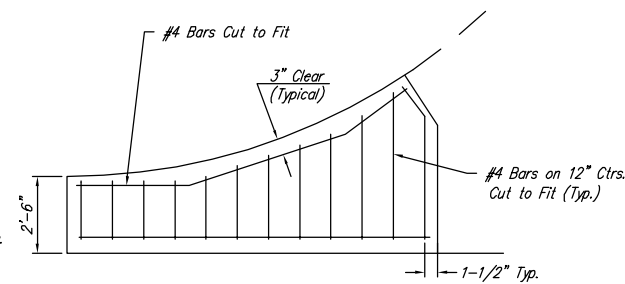
**CONTRACTION JOINT DETAIL (C.J.)**



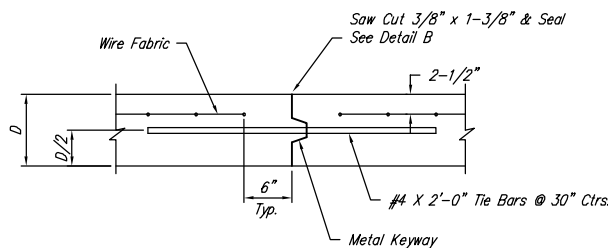
**OPTIONAL CONTRACTION JOINT (CONSTRUCTION JOINT)**



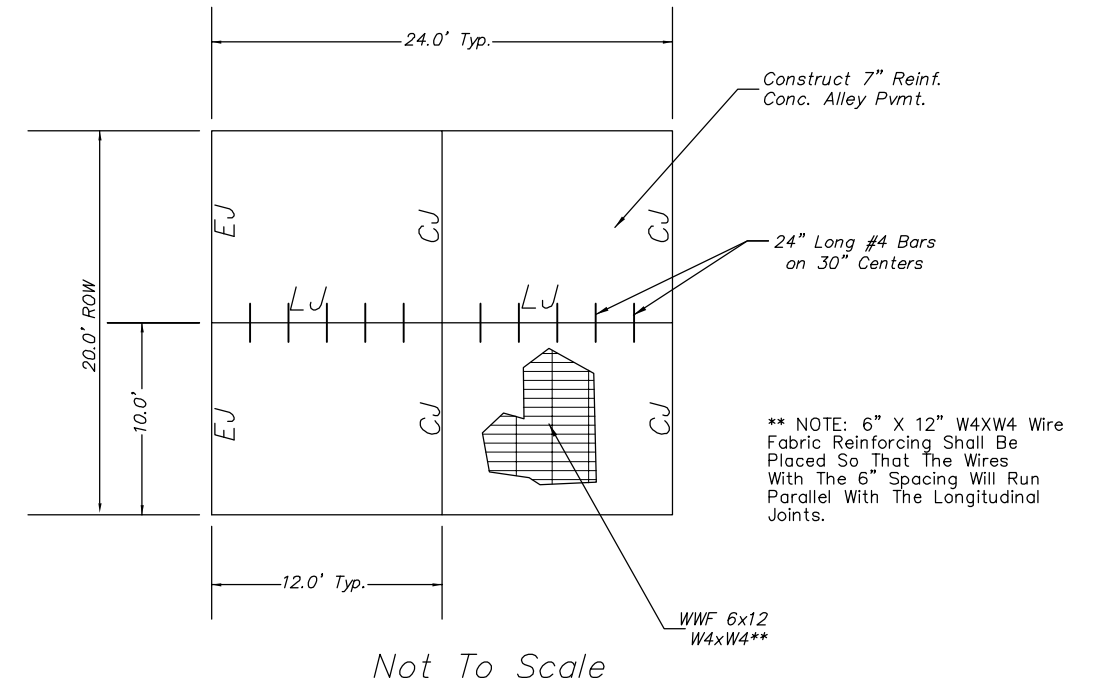
**LONGITUDINAL JOINT DETAIL (L.J.)**



**WING REINFORCING DETAIL**



**OPTIONAL LONGITUDINAL JOINT DETAIL (L.J.) (CONSTRUCTION JOINT)**



Not To Scale

