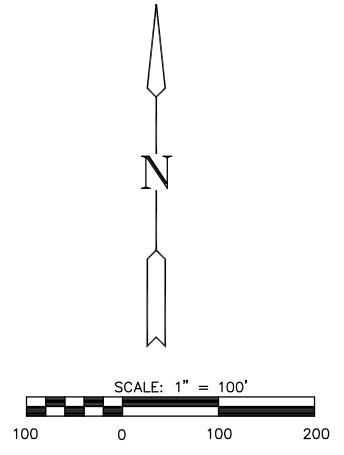


RESERVE 'D'
FLOODWAY
(all of Reserve 'D')

Points	Northing	Easting
163	711062.25	622029.22
164	711062.53	622028.40
161	711074.74	622019.49
162	711072.57	622028.26
167	711077.27	622174.29
164	711092.27	622028.23
167	711091.47	622077.74
162	711080.23	622125.76
167	711075.75	622027.7
165	711067.37	622029.33
162	711067.25	622027.26
167	711077.27	622029.16
171	711090.27	622128.20
172	711091.72	622047.20
172	711094.17	622047.24
174	711077.77	622175.10
175	711075.15	622028.21
172	711075.23	622028.17
177	711062.54	622029.16
178	711092.23	622047.28



PHASE I GRADING PLANS FOR:
NORTH RIDGE VILLAGE ADDITION
LOTS 5 - 7
AN ADDITION TO THE CITY OF WICHITA
SEDGWICK COUNTY, KANSAS

BUBBLE SHEET
SHEET TITLE
04394
PROJECT #

MAB
DESIGN BY
MKEC
DRAWN BY
MAB/JAG
CHECKED BY

ISSUED
11 JANUARY 2006
REVISED

SHEET NO.
12 of 13