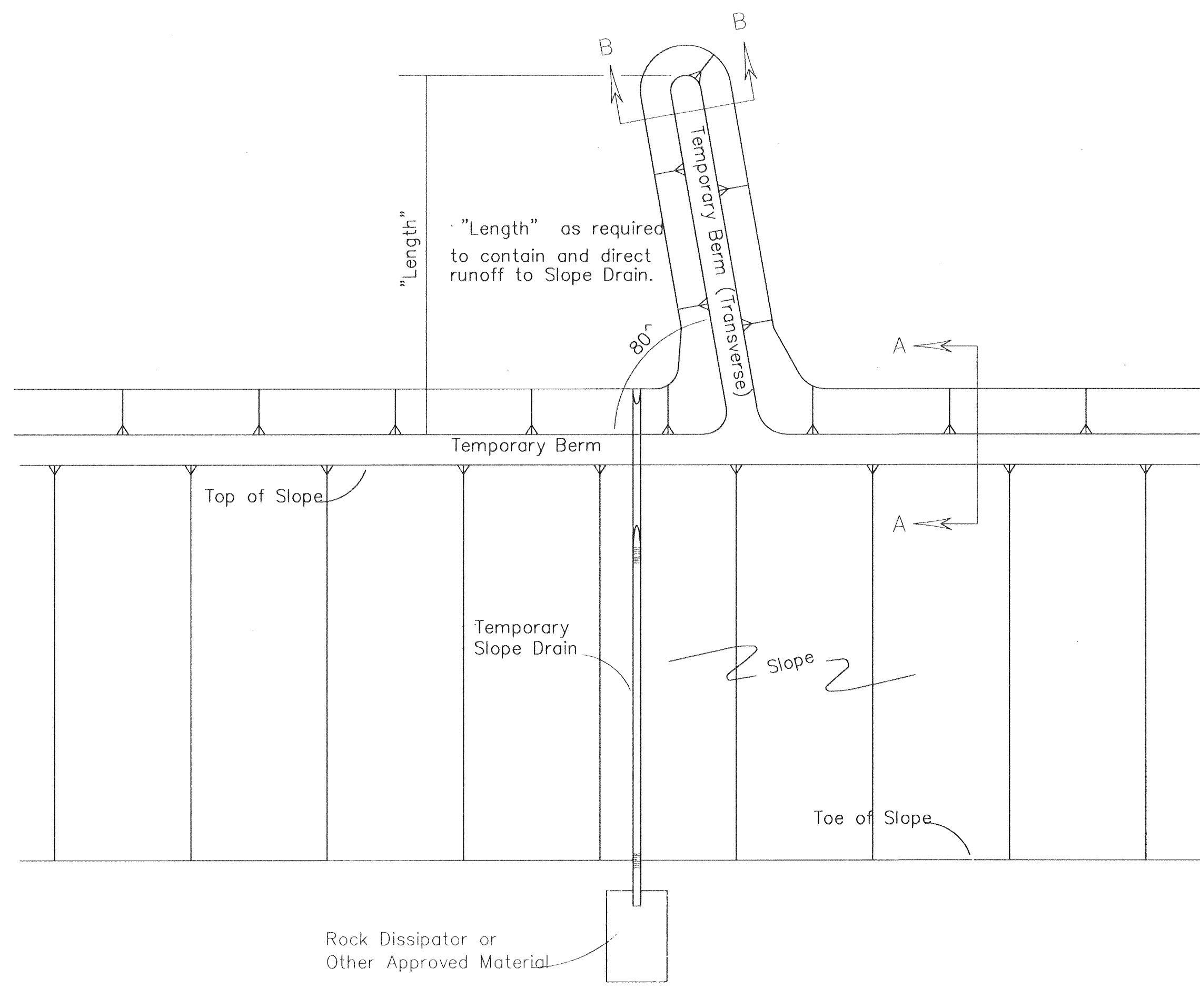
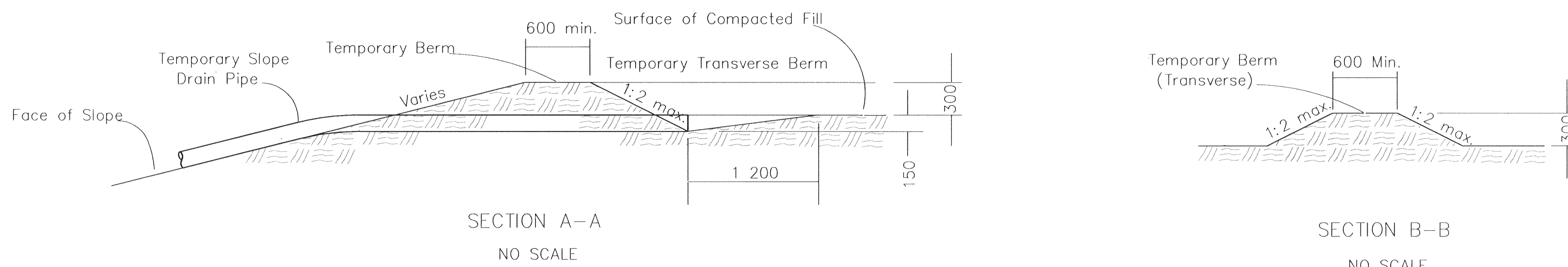
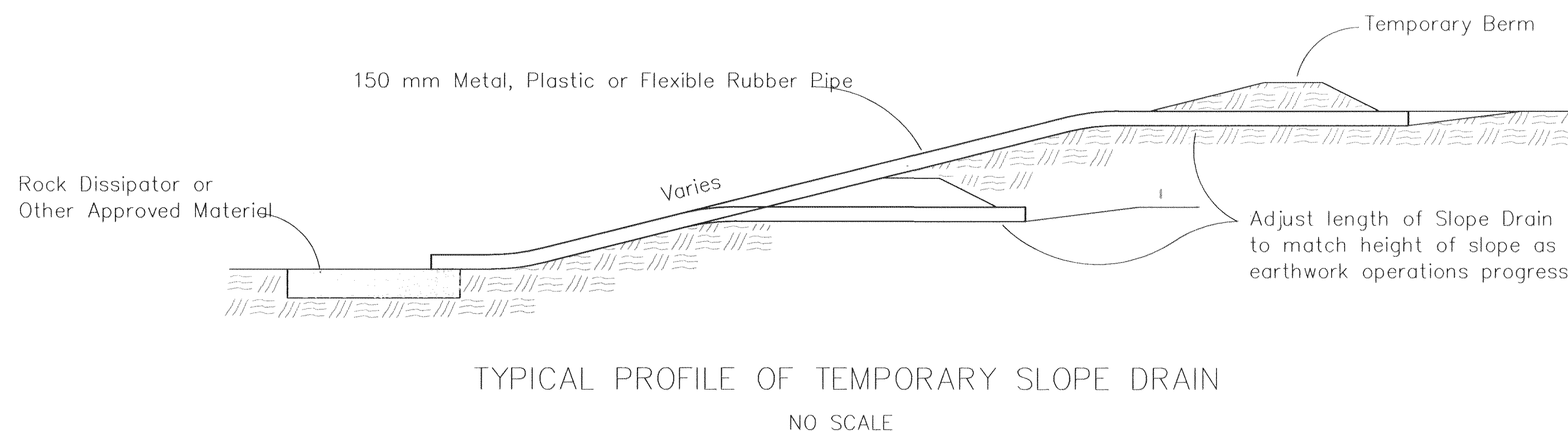


| FHWA REGION NO. | STATE | PROJECT NO. | YEAR | SHEET NO. | TOTAL SHEETS |
|-----------------|--------|-------------|------|-----------|--------------|
| 7 | KANSAS | XX | 2003 | 41 | X |

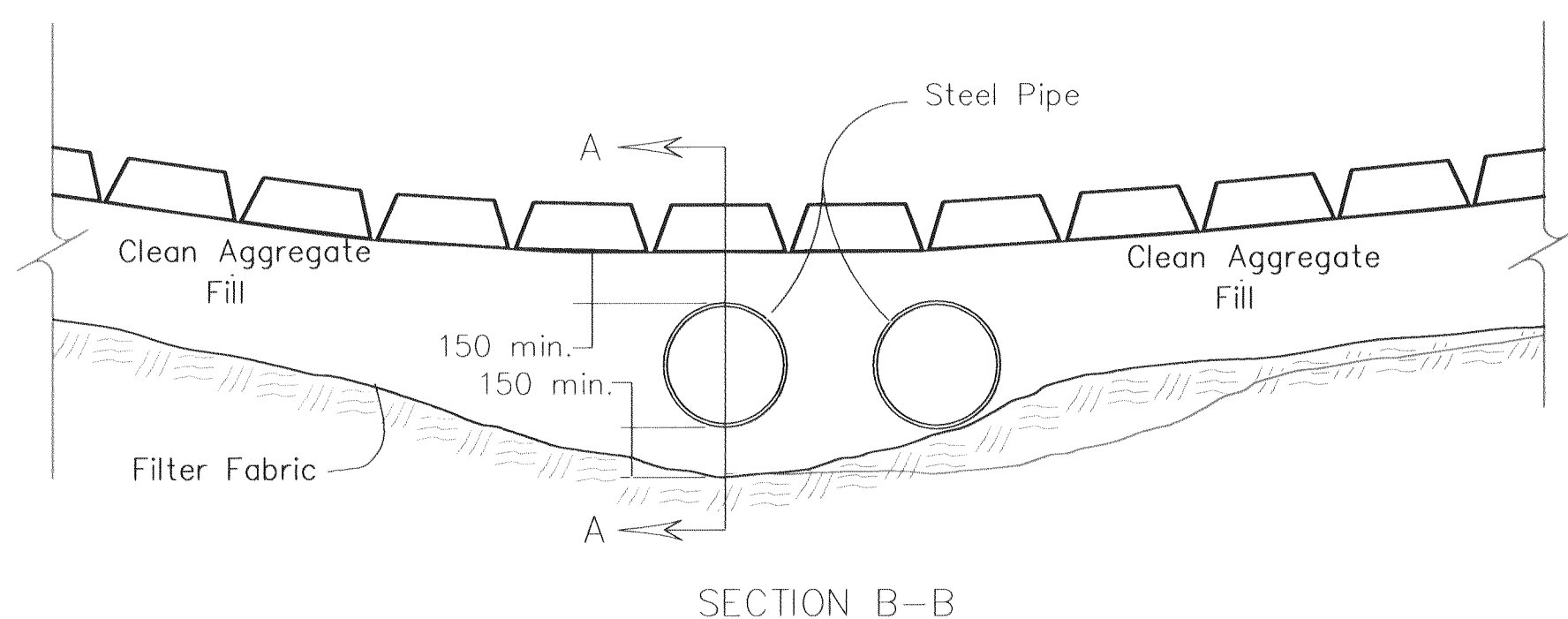
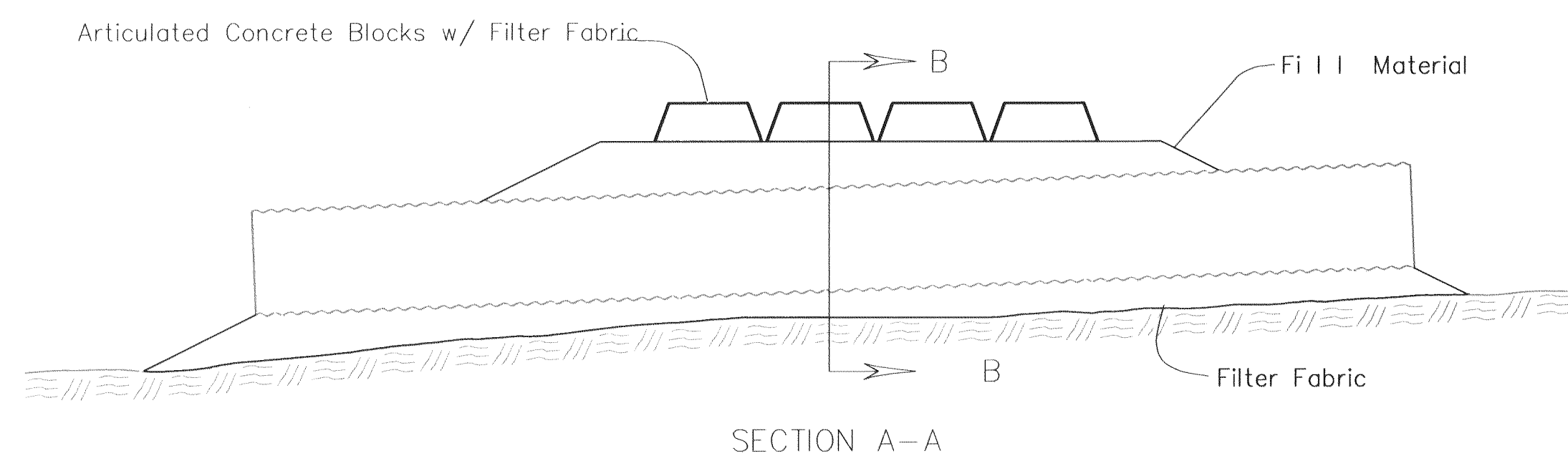
- NOTES:
- 1) Temporary Slope Drain and Temporary Berm may be used on either project foreslopes or project backslopes.
 - 2) Discharge of Slope Drains shall be into stabilized ditch or area, or into Sediment Basin.
 - 3) Pipe shall be secured in place as approved by Engineer.



TYPICAL PLAN VIEW OF TEMPORARY BERM AND TEMPORARY SLOPE DRAIN
NO SCALE

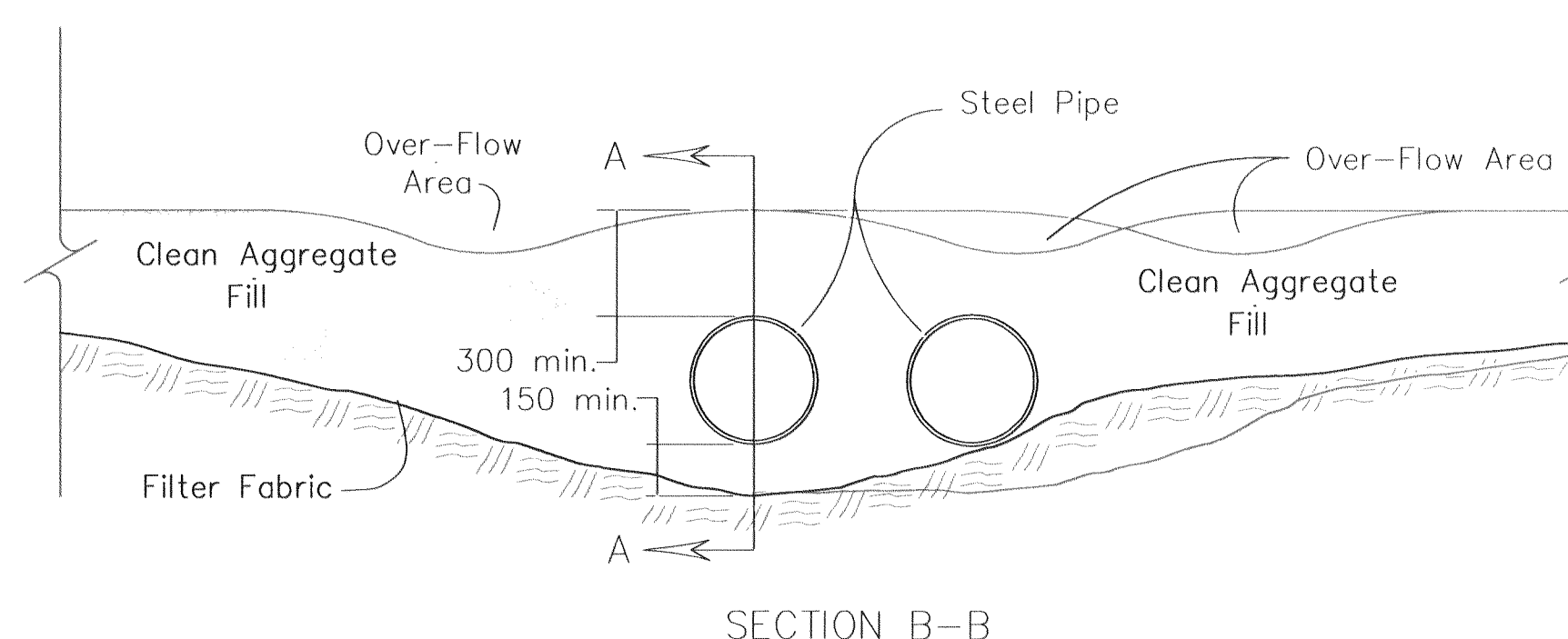
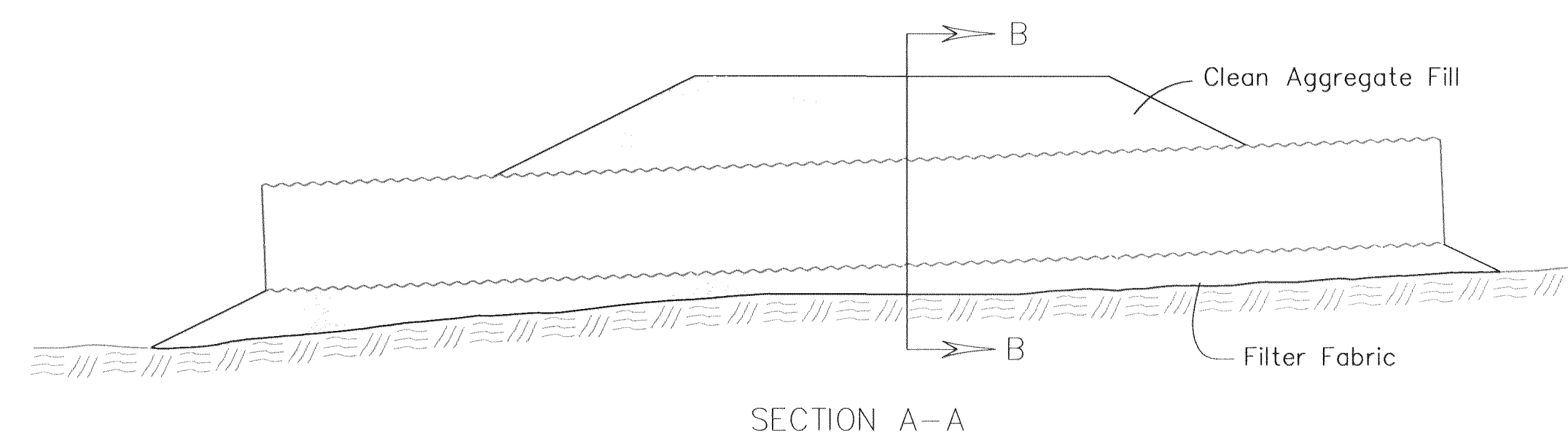


TYPICAL PROFILE OF TEMPORARY BERM
NO SCALE



TEMPORARY STREAM CROSSING (ARTICULATED CONCRETE BLOCKS)
NO SCALE

NOTE:
Quantity, length and diameter of steel pipe to be determined by design flow calculations.



TEMPORARY STREAM CROSSING (AGGREGATE)
NO SCALE

NOTE:
Quantity, length and diameter of steel pipe to be determined by design flow calculations.

| | | | | | |
|---|----------|------------------|---------|------------|-----------------|
| 3 | | | | | |
| 2 | | | | | |
| 1 | 5/1 0/99 | Revised Standard | | WCL | RDR |
| NO. | DATE | REVISIONS | | BY | APP'D |
| KANSAS DEPARTMENT OF TRANSPORTATION TEMPORARY EROSION AND POLLUTION CONTROL TEMPORARY SLOPE DRAIN TEMPORARY STREAM CROSSING (AGGREGATE) TEMP. STREAM CROSS. (ARTC. CONC. BLOCKS) LA852B SI | | | | | |
| F.H.W.A. APPROVAL | | | 5/20/99 | APP'D | Richard D. Ross |
| DESIGNED | WCL | DETAILED | WCL | QUANTITIES | TRACED |
| DESIGN CK. | RDR | DETAIL CK. | RDR | QUAN. CK. | TRACE CK. |