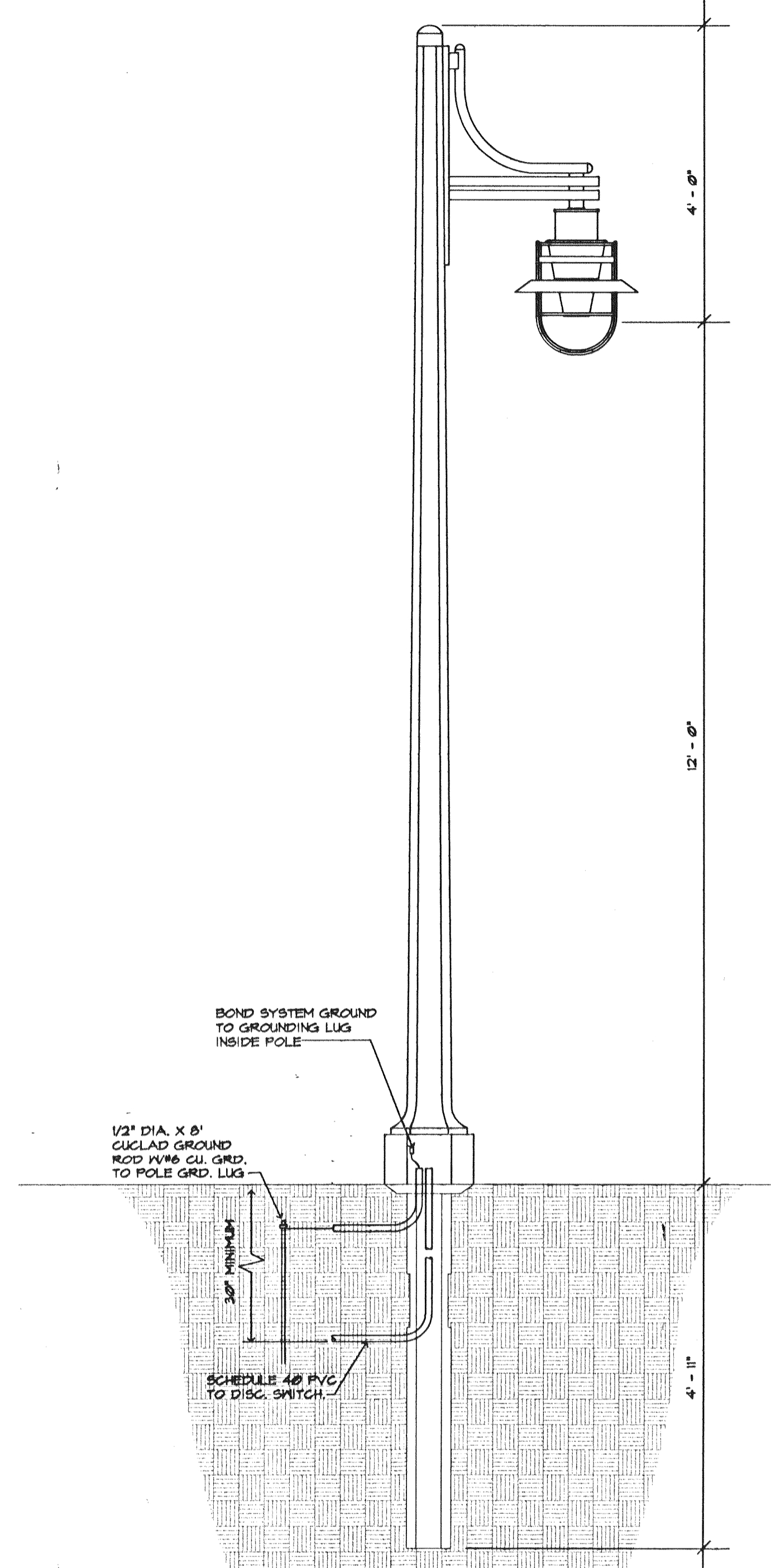


BY	DATE
REFERENCES NOTED	
REFERENCES CHECKED	

FHWA REGION NO.	STATE	PROJECT NUMBER	FISCAL YEAR	SHEET NUMBER	TOTAL SHEETS
7	KANSAS				



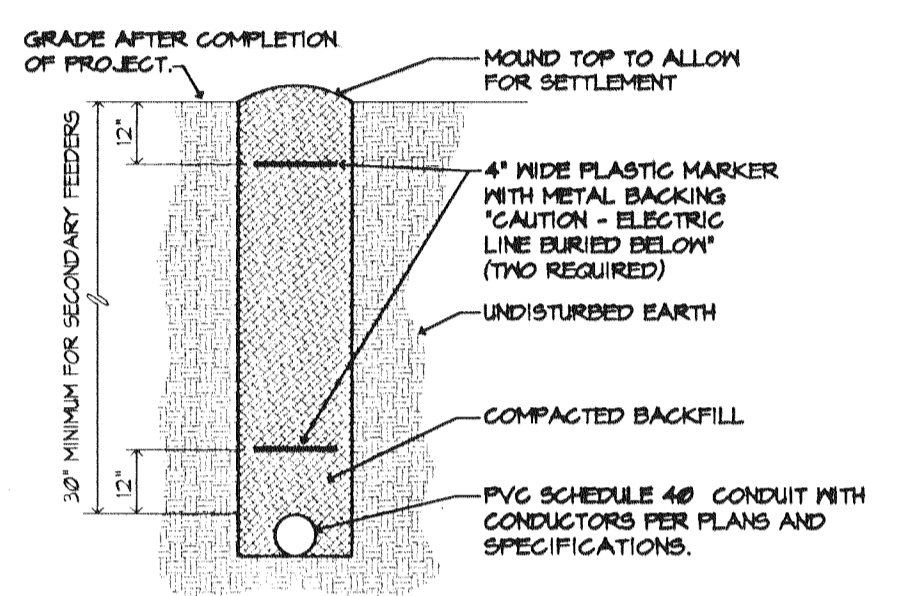
LIGHT FIXTURE "A" DETAIL
NO SCALE

LIGHT FIXTURE SCHEDULE								
SVA	FIXT. LTR.	MANUFACTURER	CATALOG NUMBER	LAMPS NO. TYPE	FIXT. VOLT.	FINISH	MOUNTING	REMARKS
A		SUN VALLEY LIGHTING	(2) CONCRETE POLE, 1 HEAD	1 T15 MH	240V.		POLE	NO GFCI RECEPTACLE

LIGHT FIXTURE SCHEDULE NOTES

① SEE SPECIFICATIONS FOR LAMP AND BALLAST TYPE. VERIFY LAMP COLOR WITH ARCHITECT PRIOR TO ORDERING.

② CONTACT ILLUMINATION SALES, (316)-265-2310 FOR ALL INFORMATION AND PRICING FOR THIS LIGHT FIXTURE AND POLE. LIGHT FIXTURE AND POLE TO MATCH EXISTING LIGHT FIXTURES CURRENTLY INSTALLED BY THE HYATT. NO RECEPTACLE REQUIRED. PROVIDE STANDARD BASE AS SHOWN. VERIFY ALL REQUIREMENTS PRIOR TO BID.



BURIED CONDUIT DETAIL
NO SCALE, REQUIRED FOR ALL BURIED ELECTRICAL CIRCUITS.

NOTES:
1. CONDUITS SHALL BE ADEQUATELY SUPPORTED TO PREVENT MOVEMENT DURING BACKFILLING.
2. CONDUITS SHALL BE LAID STRAIGHT BOTH VERTICALLY AND HORIZONTALLY.

FEEDER SCHEDULE							
SVA	FEEDER IDENT.	SETS	QUANT. PER SET	SIZE	GROUND SIZE PER SET	ISOLATED GROUND SIZE PER SET	CONDUIT SIZE PER SET
	1	1	3	#6	#10	---	1"
	2	1	3	#6	#10	---	1"

SYMBOL LIST			
SVA	SYMBOL	DESCRIPTION	MOUNTING
	(A)	FLUORESCENT FIXTURE & FIXTURE LETTER	CEILING
	(A-I)	FLUORESCENT FIXTURE & FIXTURE LETTER	CEILING
	(A) (A)	INCAND. OR H.I.D. FIXTURE & FIXT. LETTER	SUP. RECESS
	(A) (A)	INCAND. OR H.I.D. FIXTURE & FIXT. LETTER	WALLBRACKET
	⊖	GFCI DUPLEX GROUNDED RECEPTACLE	1'-3" AFF
	⊖	DUPLEX GROUNDED RECEPTACLE	1'-3" AFF
	⊖	EXTERIOR GFCI RECEPT. WEATHERPROOF	1'-3" AFF
	⊖	SWITCHES (1-POLE, 3-WAY, 4-WAY, PILOT KEY)	4'-0" TO TOP
	⊖	JUNCTION BOX	
	⊖	FUSION	
	⊖	SPECIAL DEVICE AS NOTED ON PLAN	
	⊖	BRANCH CIRCUIT PANEL & PANEL DESIG.	6'-0" TO TOP
	⊖	H.D. SAFETY SWITCH (AMPS, POLE, VOLTAGE)	6'-0" TO TOP
	⊖	STARTER (SIZE, POLE, VOLTAGE)	6'-0" TO TOP
	⊖	CONDUIT RUN 2#12 & 1#12 GRD.-1/2" C.	CEIL./WALL
	⊖	CONDUIT RUN 2 CIRCUIT #12 & 1#12 GRD.-1/2" C.	EARTH/FLOOR
	⊖	PARTIAL HOVERIN (MULTIPLE LOAD LOCATIONS)	
	⊖	SEE NOTE #1	
	⊖	WEATHERPROOF	
	⊖	FEEDER IDENTIFICATION, SEE SCHEDULE	

GENERAL NOTES

1. VERIFY ALL EQUIPMENT LOCATIONS ON THE JOB PRIOR TO ROUGH-IN.

2. REFER TO RELATED ARCHITECTURAL, MECHANICAL, AND STRUCTURAL DRAWINGS FOR RELATED INFORMATION.

3. REFER TO THE SPECIFICATIONS FOR DATA NOT ON THE DRAWINGS.

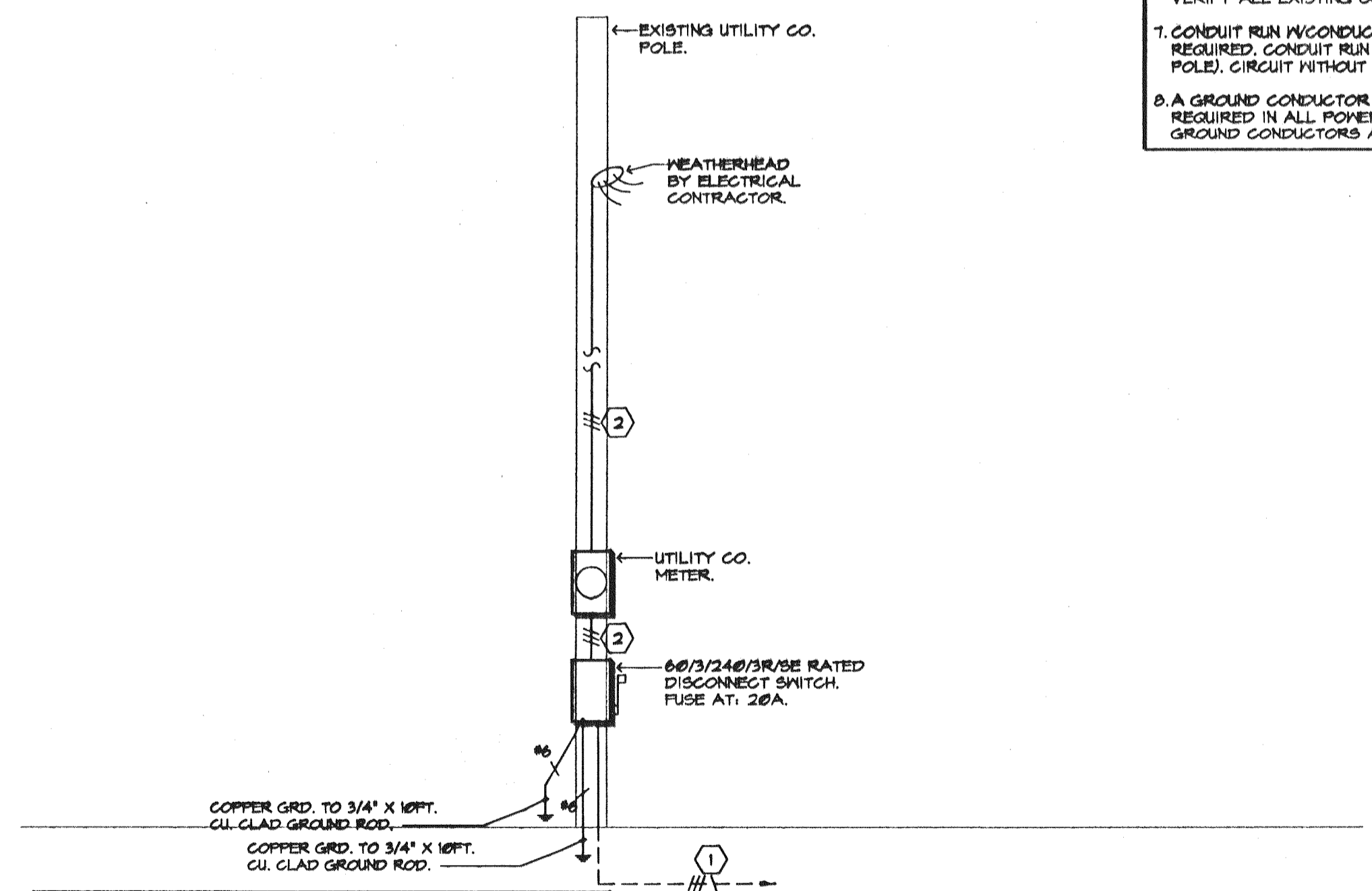
4. COORDINATE OUTLET BOX LOCATIONS WITH MASONRY TO MINIMIZE CUTTING OF BRICK OR BLOCK.

5. ALL MOUNTING HEIGHTS TO BOTTOM OF ITEM UNLESS OTHERWISE NOTED.

6. ELECTRICAL CONTRACTOR TO VISIT JOBSITE PRIOR TO BID AND VERIFY ALL EXISTING CONDITIONS AND REQUIREMENTS.

7. CONDUIT RUN W/CONDUCTORS AS INDICATED, CONDUIT SIZE AS REQUIRED, CONDUIT RUN TO PANEL DEVICE SIZE AS INDICATED (AMP/POLE). CIRCUIT WITHOUT INDICATION IS ROUTED TO 20A JP. BREAKER.

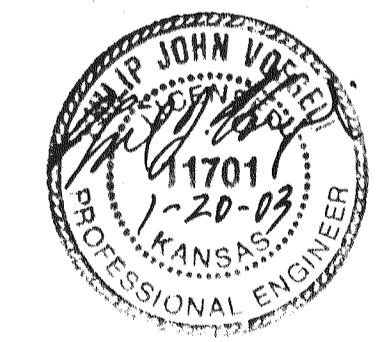
8. A GROUND CONDUCTOR SIZED PER N. E. C. ARTICLE 250 IS REQUIRED IN ALL POWER, RECEPTACLE, AND LIGHTING CIRCUITS. GROUND CONDUCTORS ARE NOT SHOWN ON DRAWINGS.



NEW ELECTRICAL SERVICE ENTRANCE RISER DIAGRAM
NO SCALE, TYPICAL OF TWO LOCATIONS. VOLTAGE: 120/240V, 1Ø, 3 WIRE

ELECTRICAL CONTRACTOR SHALL VERIFY ALL PRIMARY AND SECONDARY ELECTRICAL SERVICE ENTRANCE REQUIREMENTS AND ASSOCIATED COSTS WITH LOCAL UTILITY CO. CODES AND ORDINANCES PRIOR TO BID AND INCLUDE THOSE CHARGES WITHIN HIS BID. NO EXCEPTIONS.

ROUTE TO NEW LIGHT FIXTURE A. UTILIZE SCH. 40 PVC. CONDUIT BURIED MINIMUM OF 30" BELOW GRADE PER DETAIL. VERIFY ALL REQUIREMENTS PRIOR TO BID.



Electrical Engineering and Design
349 S. Hydraulic
Wehita, Ks. 67281-1008
(316) 264-3051
FAX: (316) 264-3542

DESIGN	REVIEW
SVA	SVA
UTILITY	DATE
	JUN. 20, 2003

ELECTRICAL SCHEDULES
LITTLE ARKANSAS RIVER
BICYCLE / PEDESTRIAN PATH

Ruggles & Bohm, P.A.
Engineering, Surveying, Land Planning
224 North Main
Wehita, Kansas 67203
www.rkansas.com
(316) 264-9008
(316) 264-4621 fax
E-mail: info@rkansas.com

RR JOB 2088T
SHEET 61 OF 63