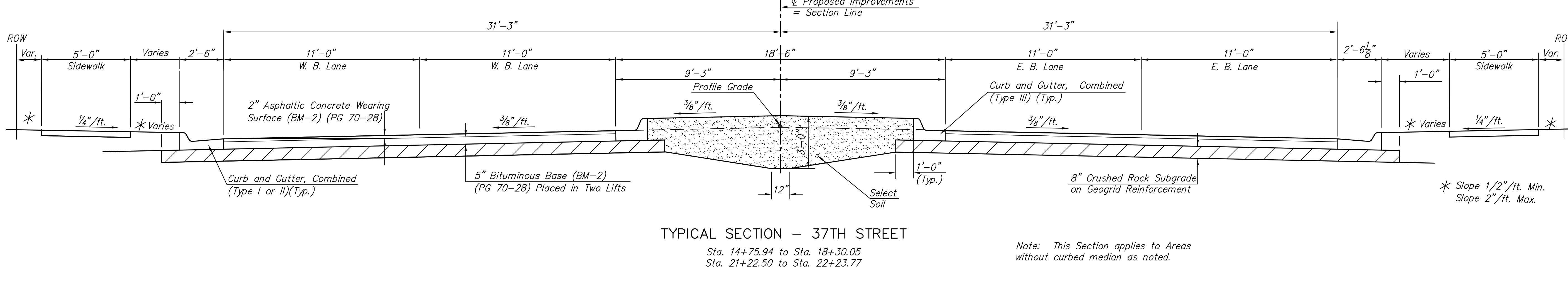
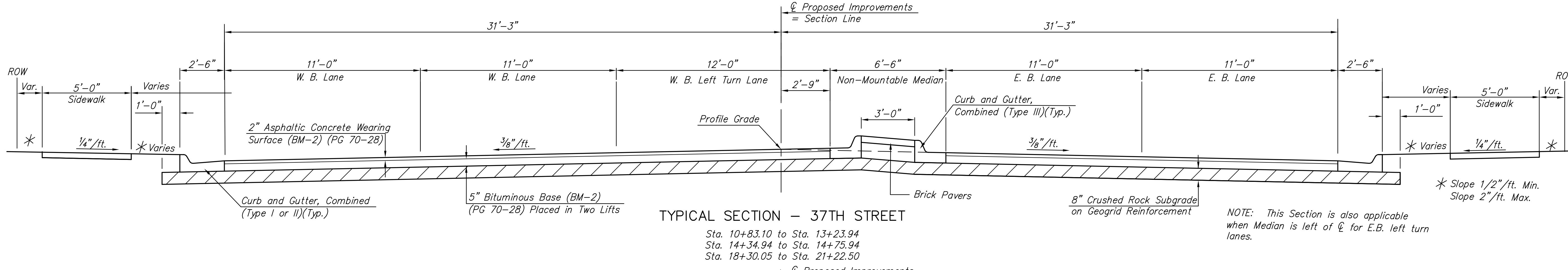
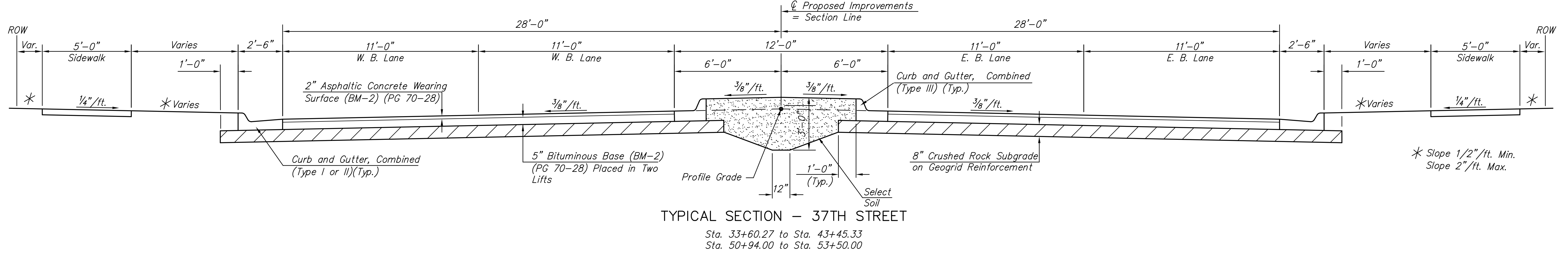
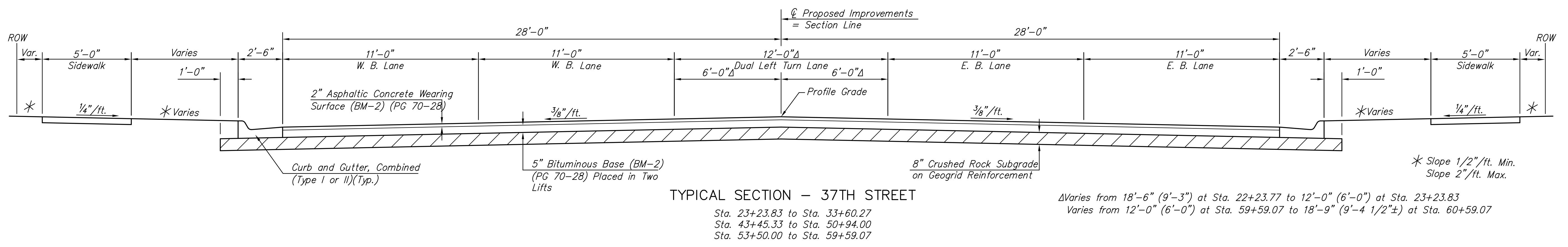


**37TH STREET IMPROVEMENTS
FROM
MAIZE ROAD TO TYLER ROAD**



**TYPICAL SECTIONS
37TH ST. NORTH**
SHEET TITLE
PROJECT NUMBER
472-84693

DESIGN BY
DRAWN BY
CHECKED BY

ISSUED
March 24, 2009
REVISED

SHEET NO.
3 of 133