

**37TH STREET IMPROVEMENTS
FROM
MAIZE ROAD TO TYLER ROAD**

**CURB AND
GUTTER DETAILS**

SHEET TITLE
472-84693
PROJECT NUMBER

DESIGN BY
DRAWN BY
CHECKED BY

ISSUED
March 24, 2009
REVISED

SHEET NO.
50 of 133

GENERAL NOTE

Combined curb and gutter or gutter adjoining concrete pavement may, at the contractor's option, be poured either monolithically or separately, using either the mix used in the concrete pavement or Class "A" Concrete (AE). The combined curb and gutter or gutter shall have the same section as shown on the plans. If poured monolithically, dowel bars may be omitted from the combined curb and gutter or gutter, but the wire mesh shall be extended to 6" or less from the back of the curb or gutter. Pavement joints shall be continued through curb or gutter and no other planes of weakness will be required. Joints in the combined curb and gutter or gutter are to be filled with the same material as used for the pavement joints.

Expansion joints in the combined curb and gutter are to be placed opposite expansion joints in the pavement.

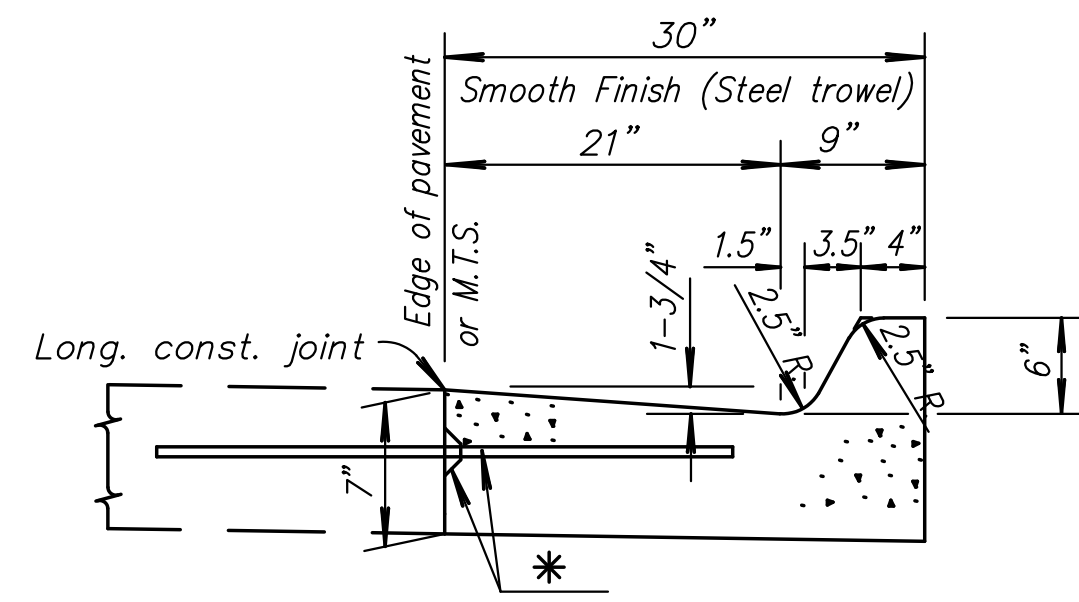
Where combined curb and gutter does not abut concrete pavement or concrete base course, omit tie bars and longitudinal construction joint and place a 1" preformed Expansion Joint Filler (Nonextruding, Type B) cut to the dimensions of the combined curb and gutter or gutter, at a spacing not to exceed 250' and at the ends of curb returns. Where combined curb and gutter is adjacent to bituminous construction, planes of weakness shall be constructed at 20' intervals.

A 4' length of transition from normal gutter section to the tapered gutter section shall be used at the ends of each run of gutter except where the gutter abuts a curb, such as at the end of a bridge. Inlets shall be located so as not to fall within this transition section.

Where pressure relief joint (Urethane Foam) is placed across the pavement, and gutter or curb and gutter is continued on for more than 10', use Type B, nonextruding, joint filler through gutter section, shaped to fit gutter or curb and gutter. Material may be solid Type B, approximately 4" thick, or other thickness pieces (Type B), bonded together with cold mastic or other material, as approved by the Engineer.

For expansion joint treatment where combined curb and gutter or gutter abuts a bridge wing on a U type abutment see bridge drawings.

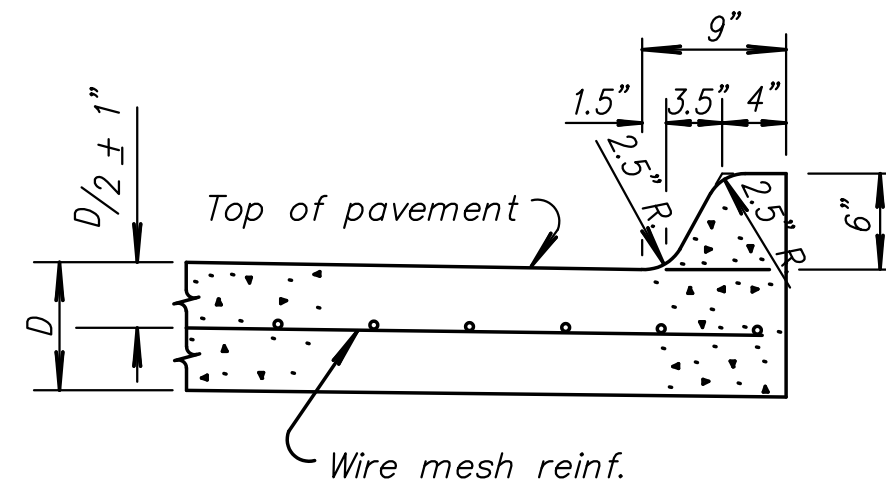
Longitudinal joints shall be sawed and sealed with joint sealant. See Special Provisions for type.



TYPICAL SECTION

**COMBINED CURB & GUTTER
TYPE I (30" WIDTH)**

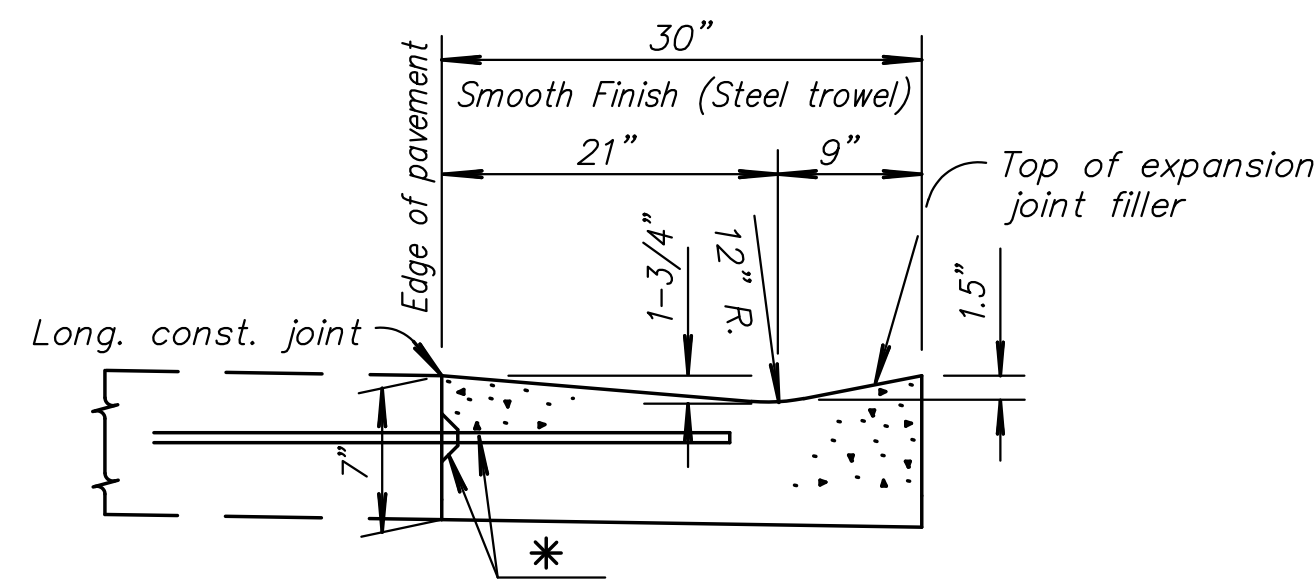
* Longitudinal construction joint and #5 x 36" bars @ 30" ctrs., where concrete pavement is constructed.



TYPICAL SECTION

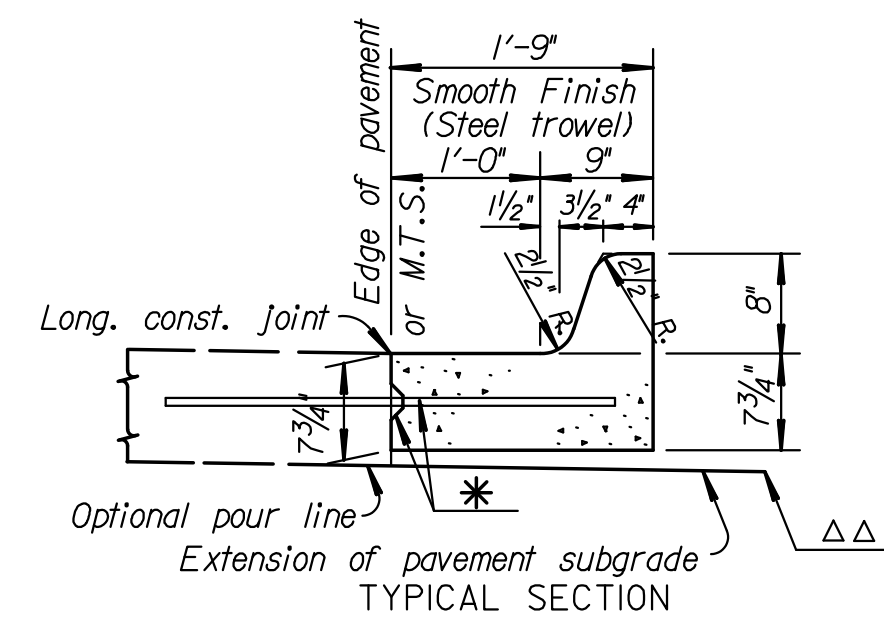
6" EDGE CURB (MONOLITHIC)

Note: "D" = Pavement thickness
Planes of weakness are to be constructed over the contraction joints in the concrete pavement.
A 1" preformed Expansion Joint Filler (Nonextruding, Type B) cut to the dimensions of the Edge Curb shall be used over the expansion joints in the concrete pavement.



TYPICAL SECTION

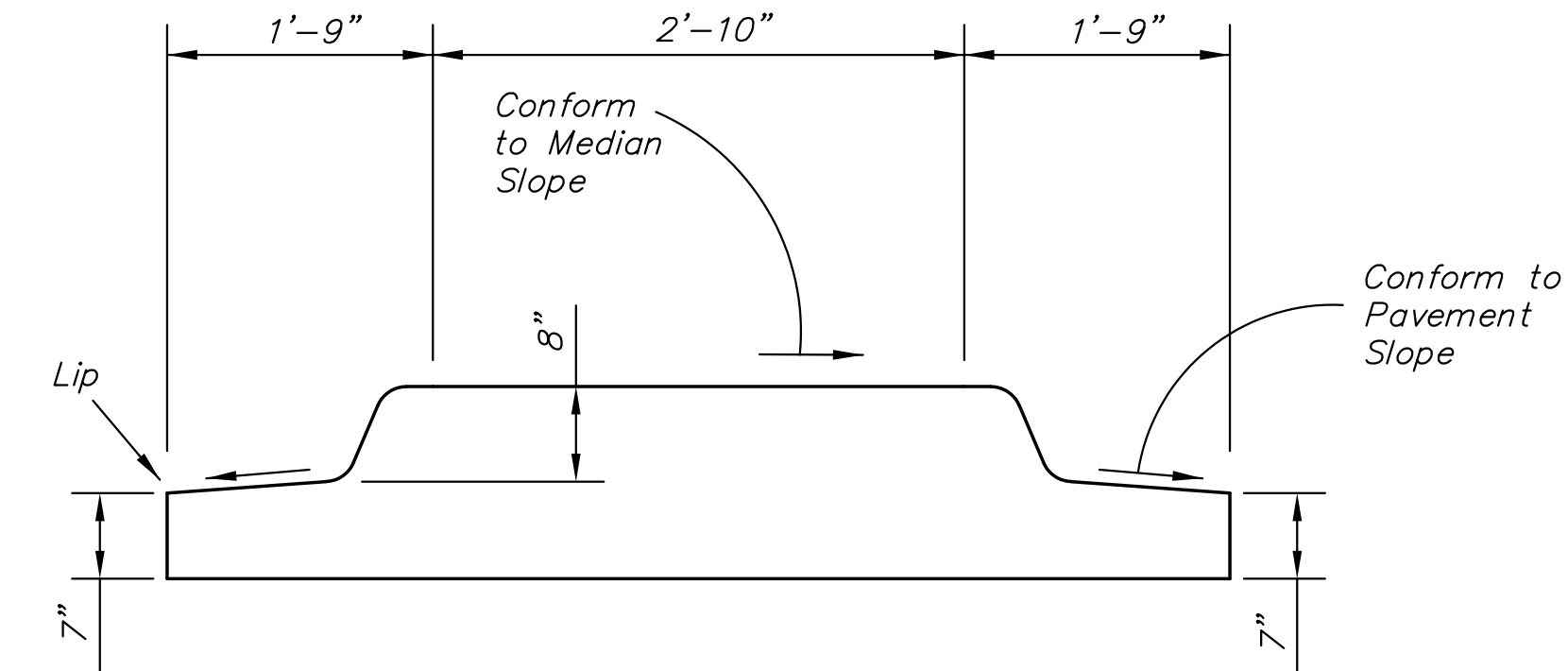
**COMBINED CURB & GUTTER
TYPE II (30" WIDTH)**



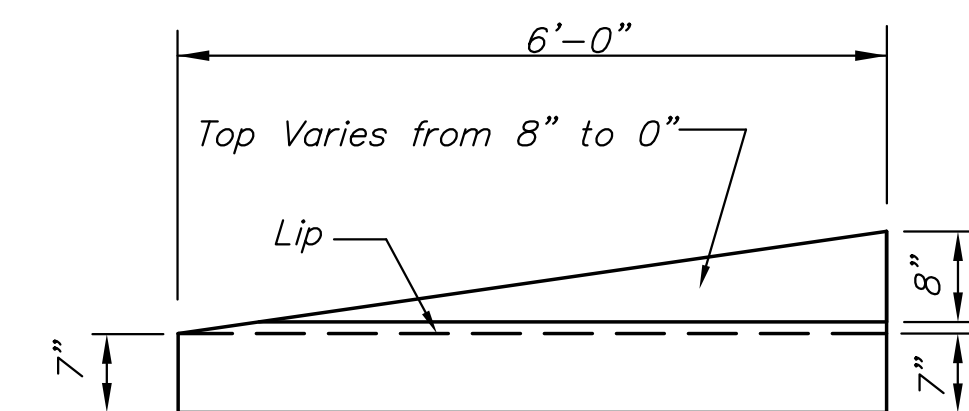
TYPICAL SECTION

**COMBINED CURB & GUTTER
TYPE III (1'-9" WIDTH)**

△△ Contractor has the option of thickening the curb and gutter as shown.

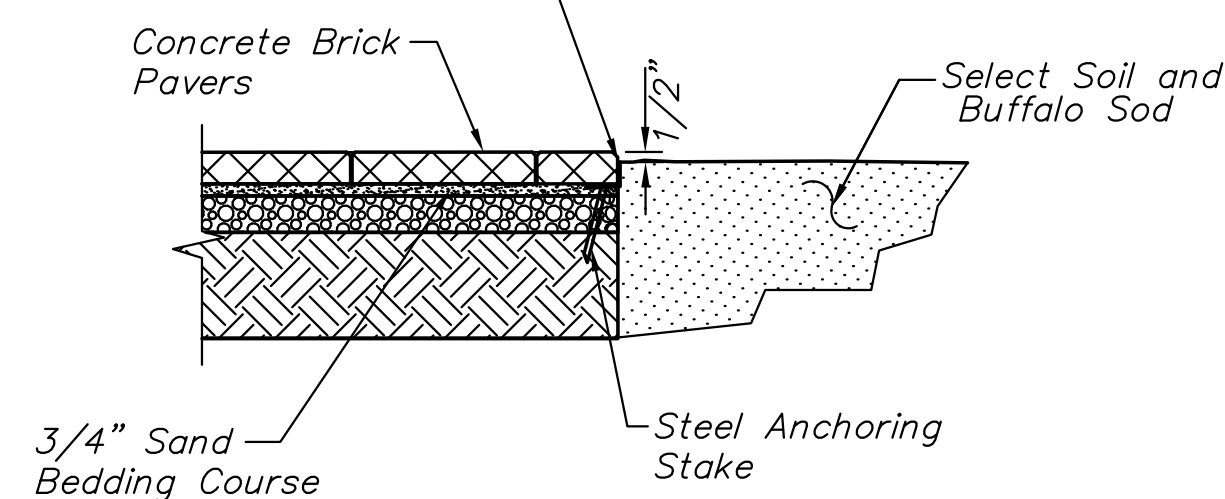


SECTION B-B

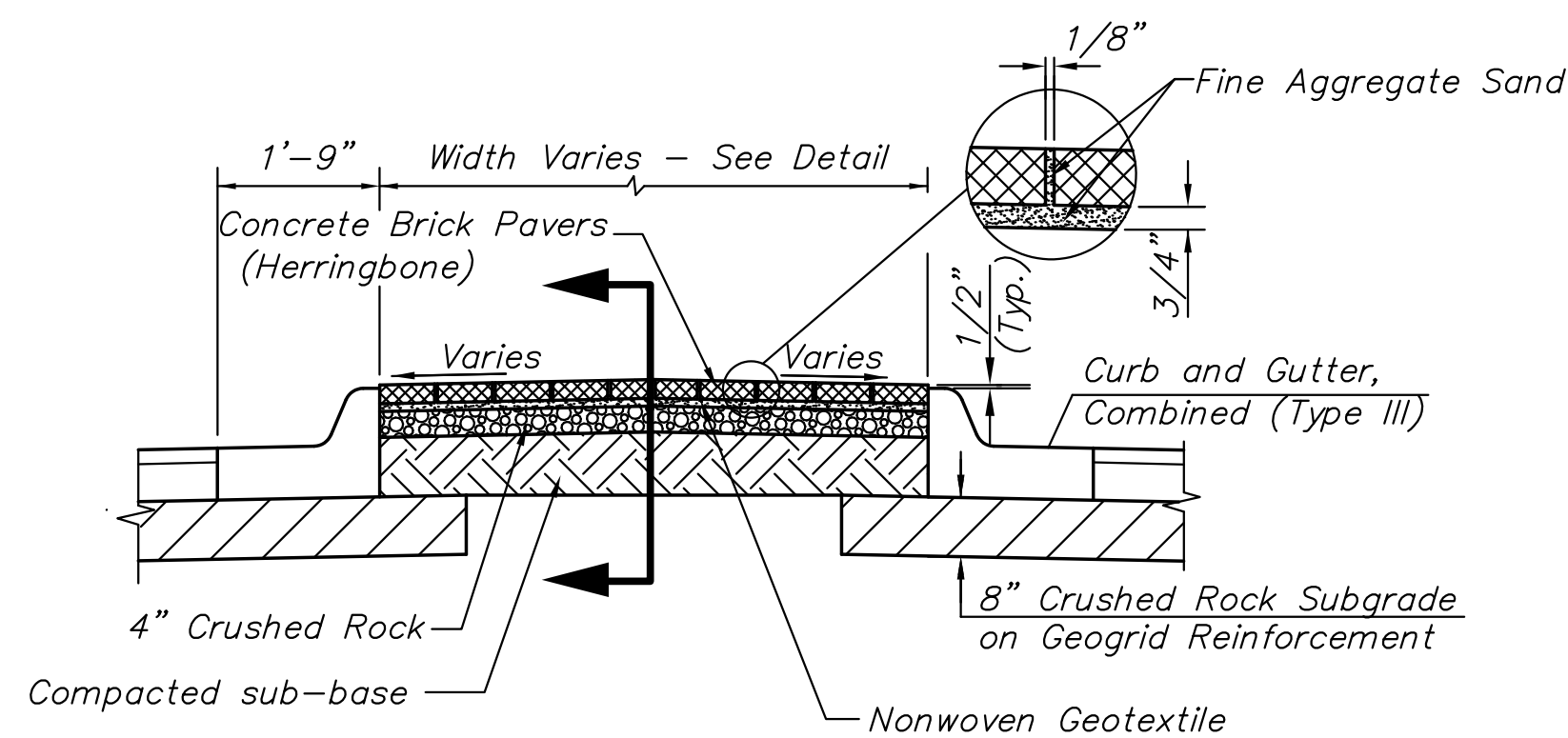


SECTION A-A

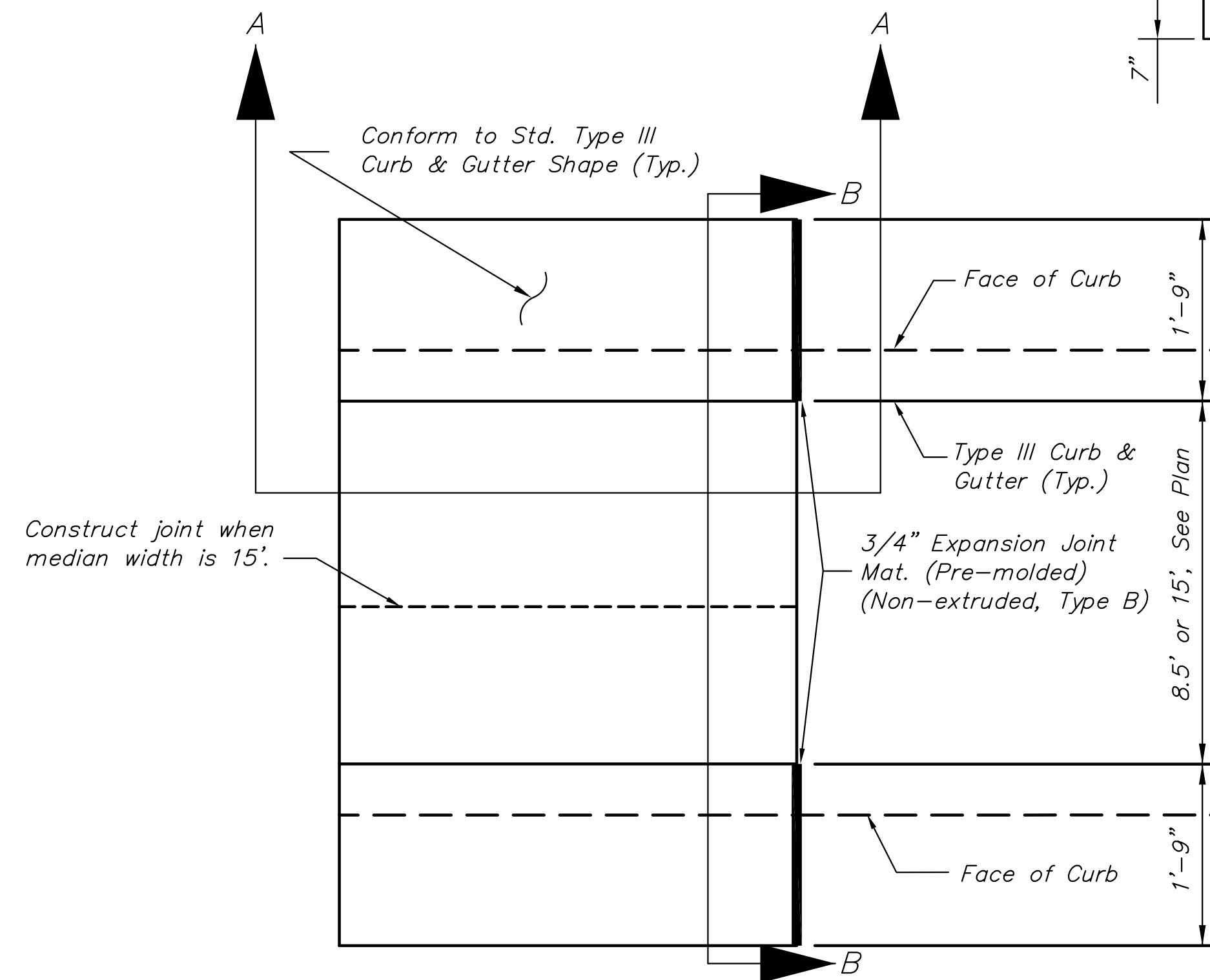
"Brick-Edg" L-Shaped Paver Restraint (depth - 2 1/4" vertical leg, width - 3" horizontal leg) or equivalent



PAVER ABUTTING SOD DETAIL



PAVING BRICK MEDIAN DETAIL



CONCRETE MEDIAN NOSE