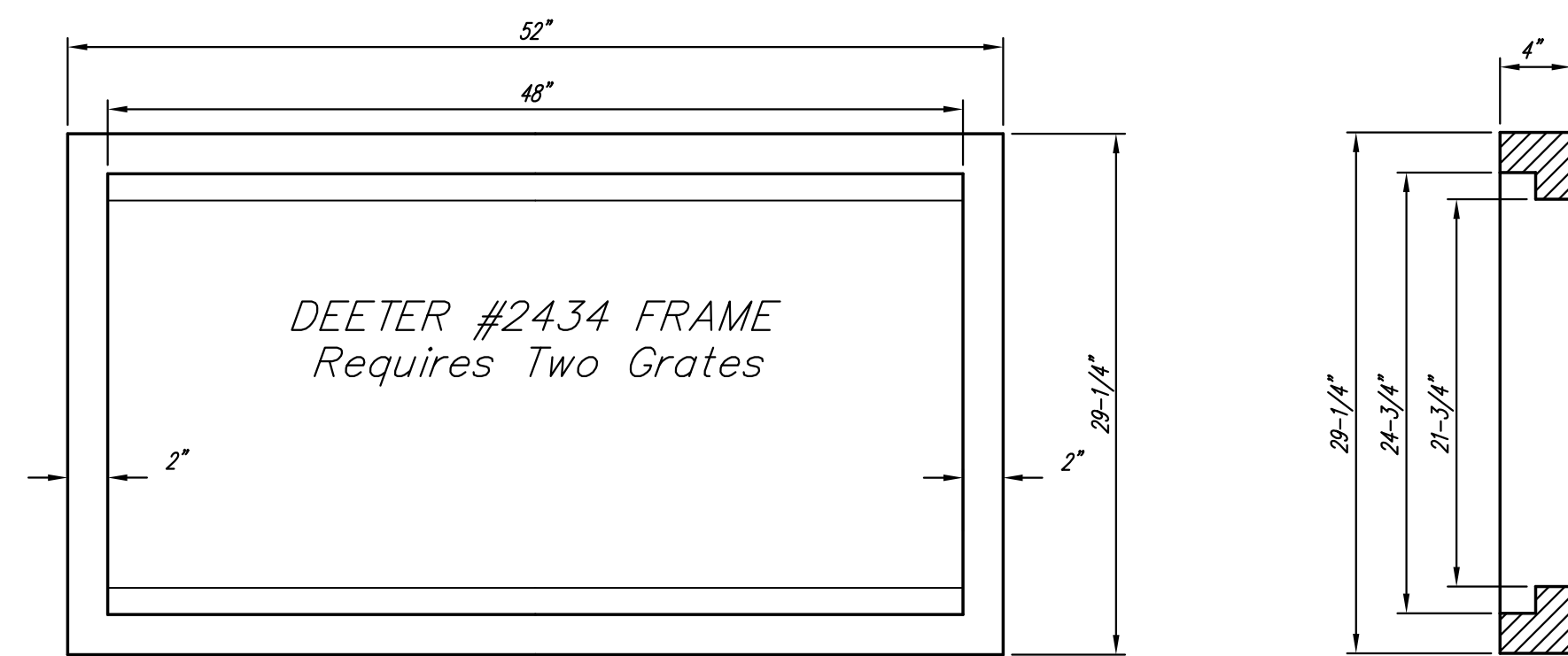


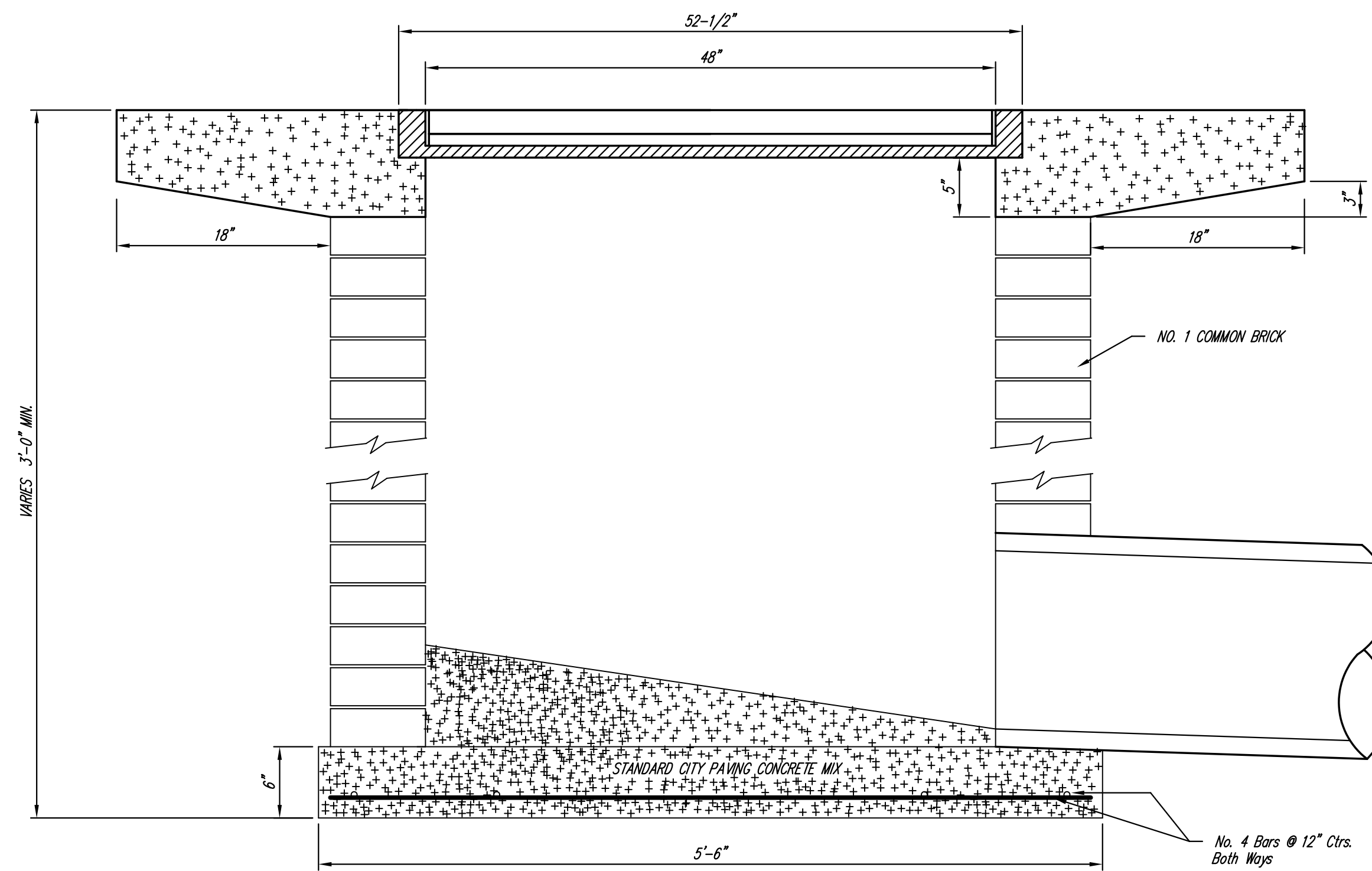
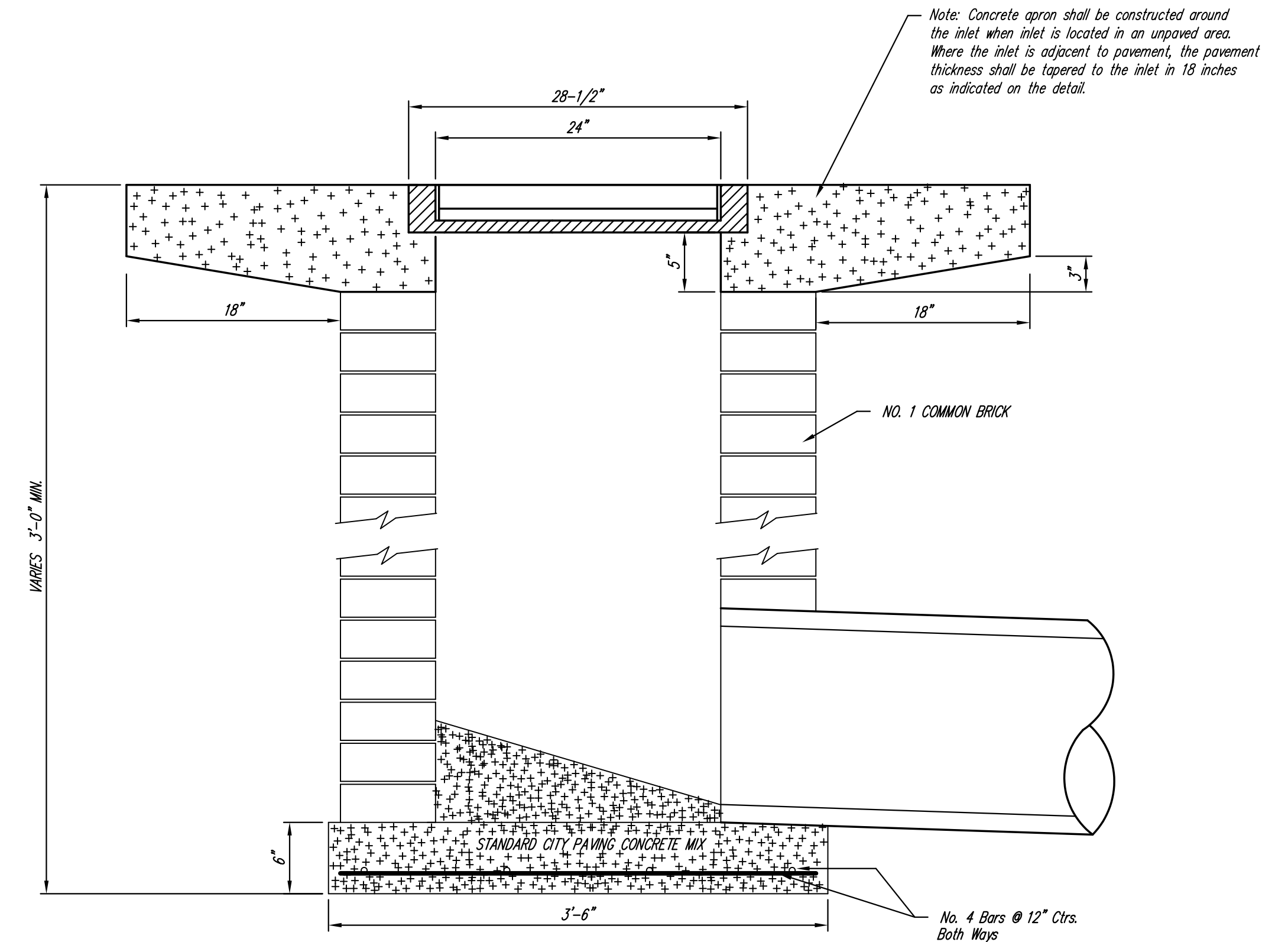
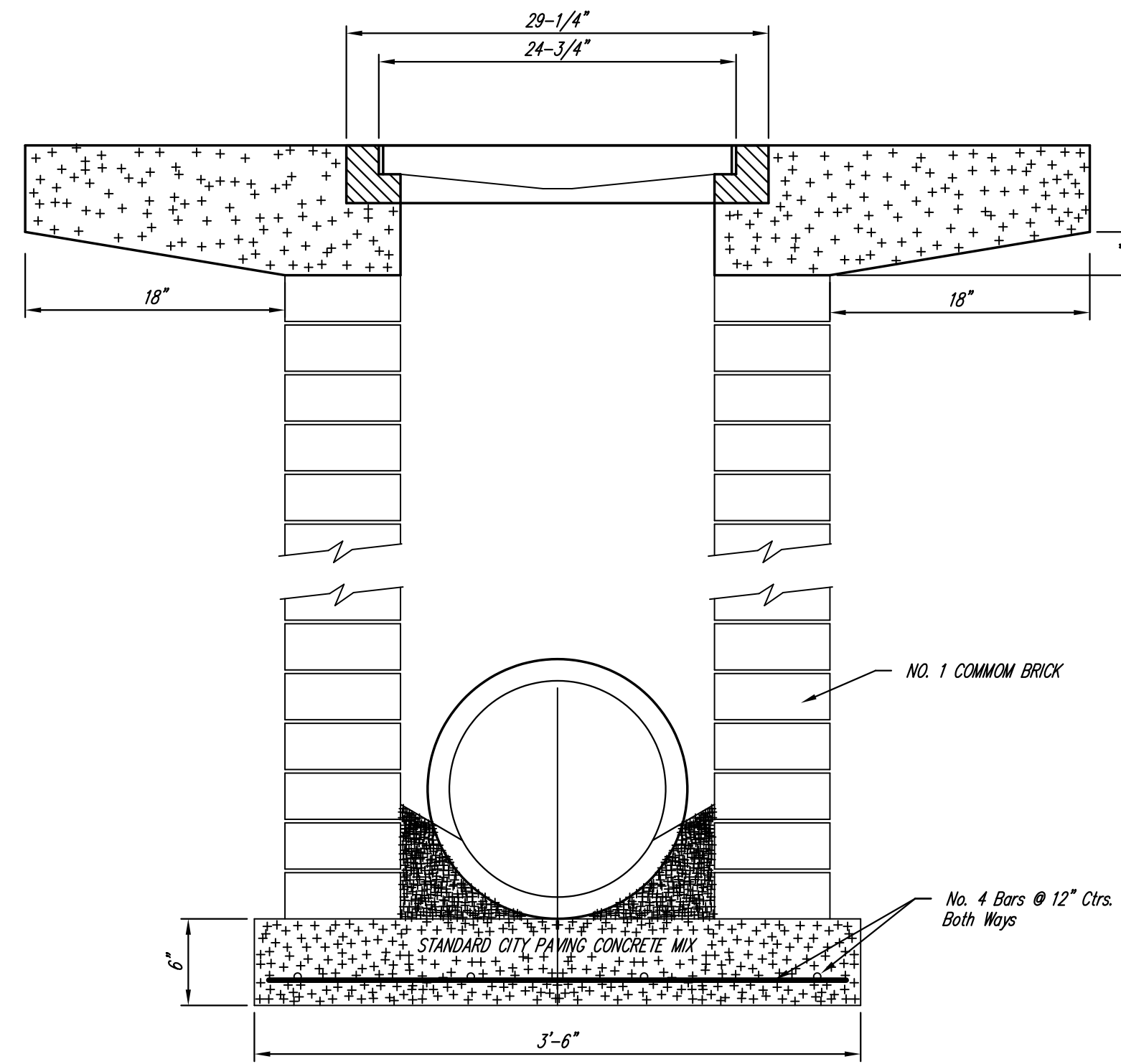
DEETER #2433 GRATE

24" x 24" Frame and Grate Detail

NOTE: Grates shall be imprinted on the top surface with "CITY OF WICHITA" using letters at least 1" in height. Other marking methods may be approved by the engineer.



Double 24" x 24" Frame Detail



J:\Civil\08137\DWG\SWS\DROP INLET.DWG 01/06/2009 05:00:01 PM CST

<p>THE CITY OF WICHITA</p> <p>CITY ENGINEER'S OFFICE CITY HALL - SEVENTH FLOOR 455 NORTH MAIN STREET WICHITA, KANSAS 67202 (316) 268-4501 (316) 268-4114 FAX</p>	<p><b>DROP INLET</b> 2' X 2' / 2' X 4'</p>	
	<p>JAMES L. ARMOUR, P.E. - CITY ENGINEER</p>	
	<p>PROJECT NUMBER 472-84693</p>	<p>INDEX CODE</p>
	<p>DATE</p>	<p style="text-align: right;"><b>Sheet 56 of 133</b></p>