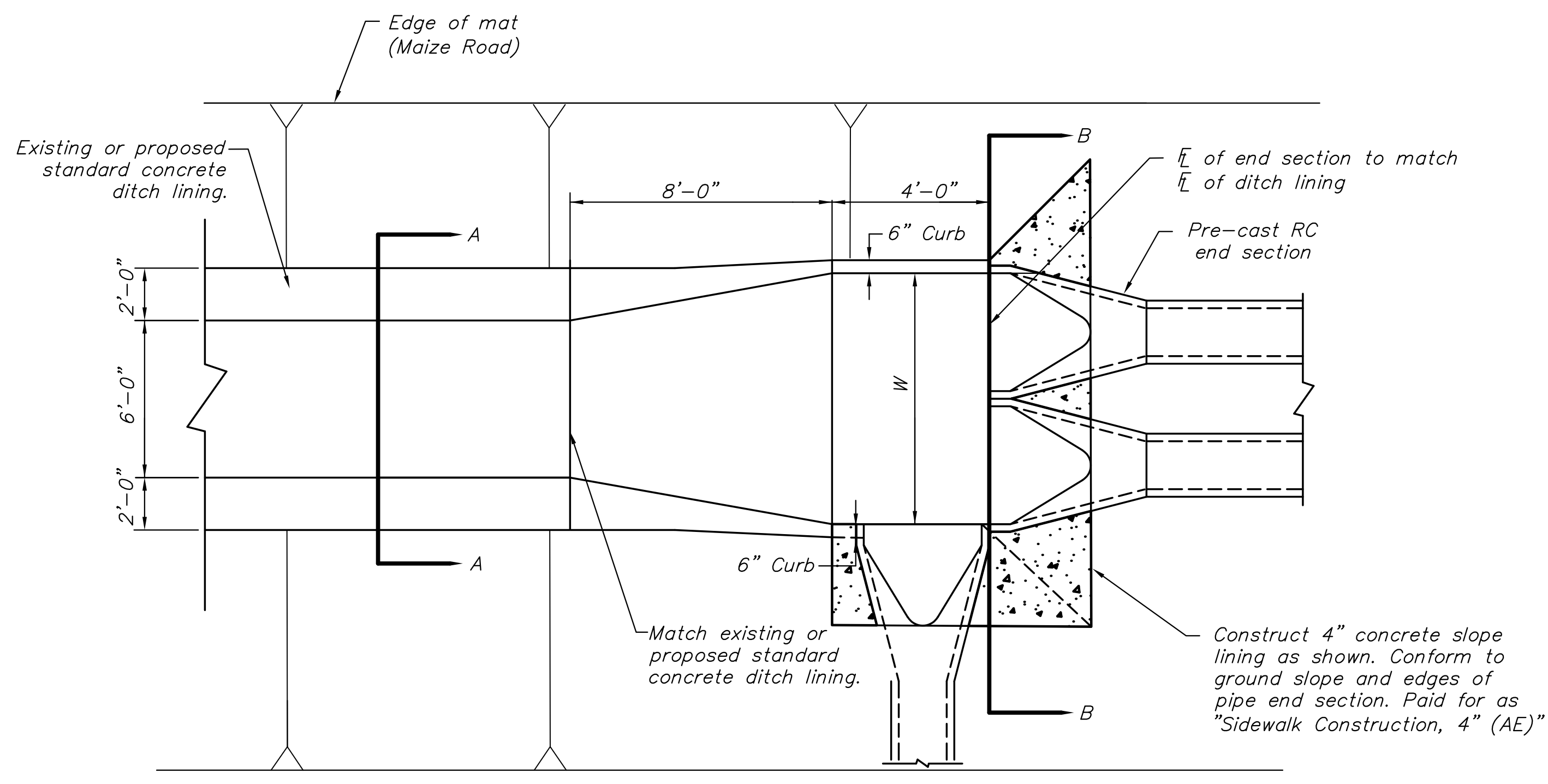
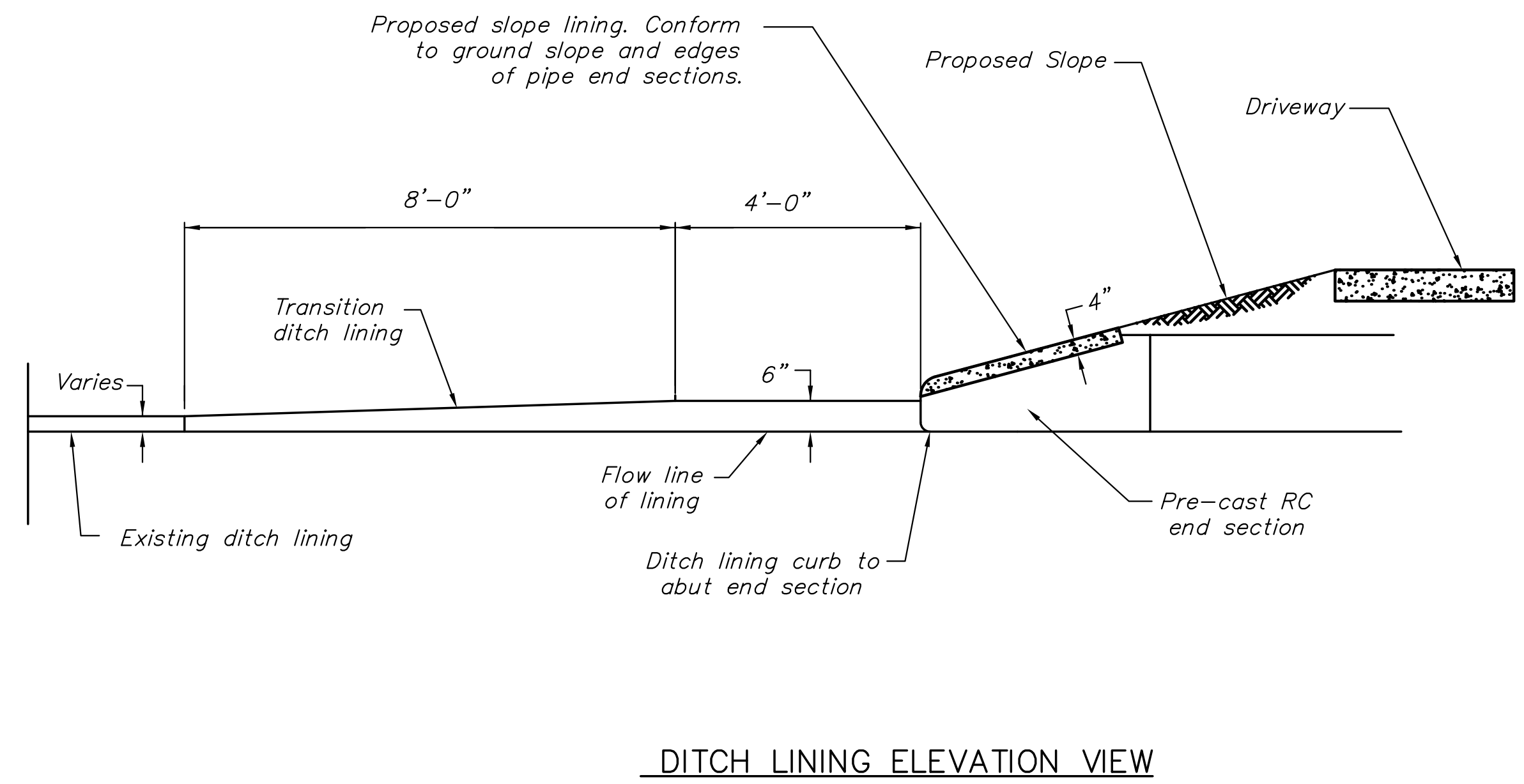


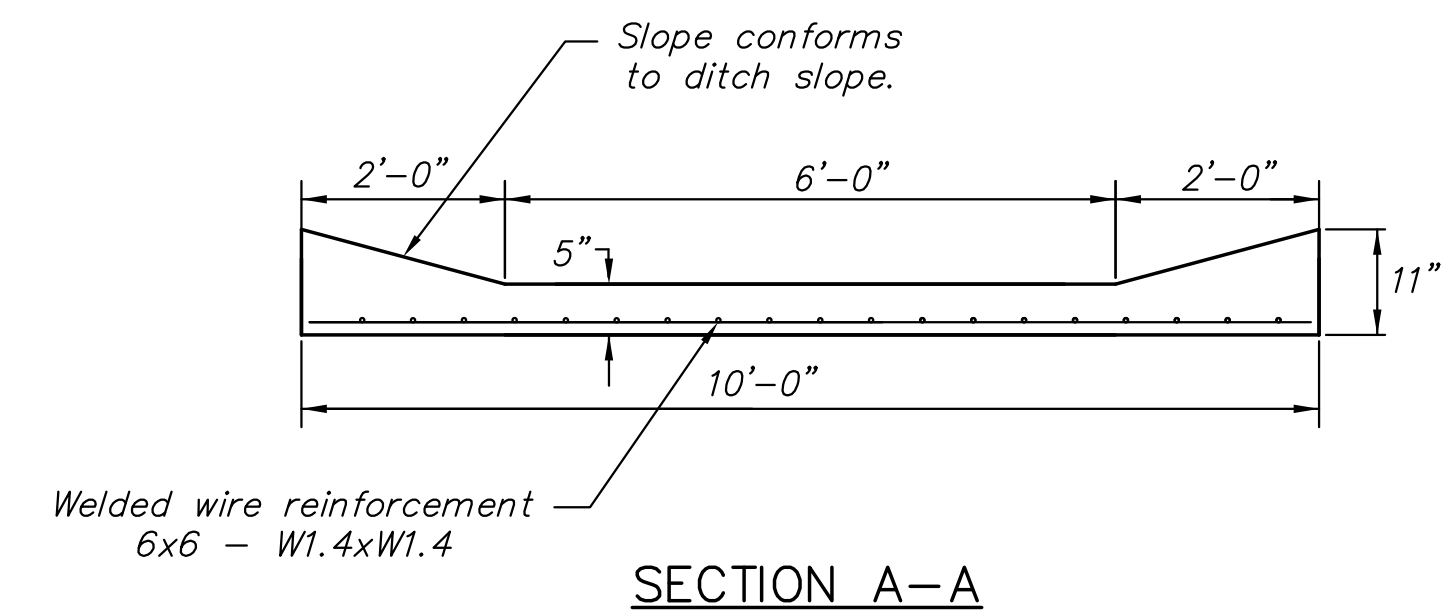
**37TH STREET IMPROVEMENTS  
FROM  
MAIZE ROAD TO TYLER ROAD**



STANDARD DITCH LINING TRANSITION PLAN



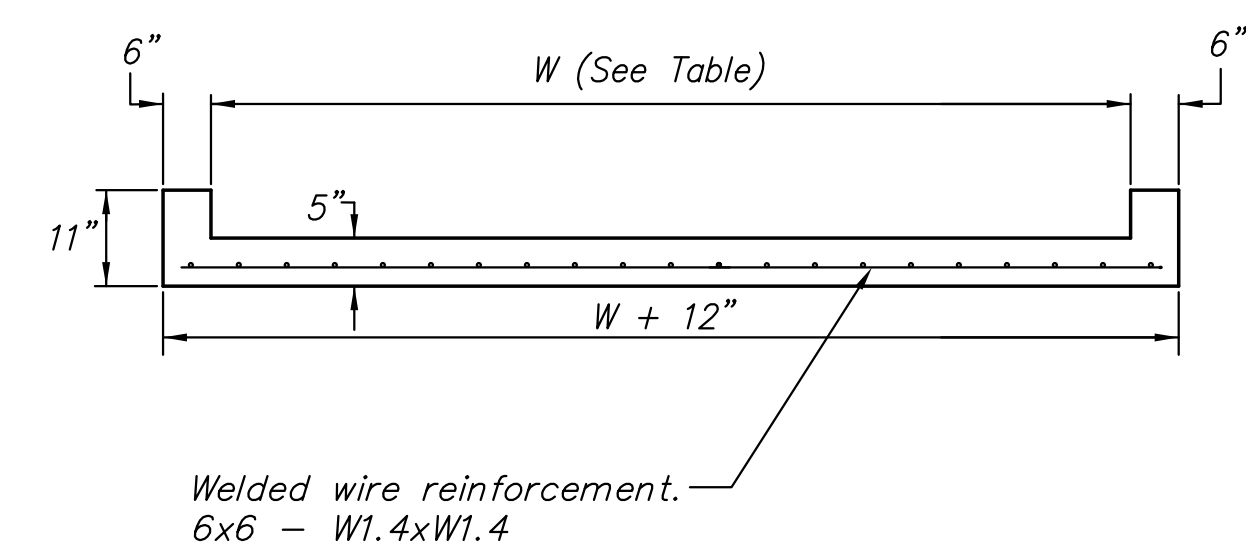
DITCH LINING ELEVATION VIEW



SECTION A-A

DITCH LINING TRANSITION SCHEDULE									
STATION (MAIZE ROAD)	OFFSET	STREET	LOCATION	W	NO. PIPES	PIPE SIZE	SIDE PIPE?	CONCRETE DITCH LINING (AE) (S.F.)	SIDEWALK CONST., 4" (AE) (S.F.)
09+51.38	55.50' Lt.	37TH STREET	NW Corner, 37th & Maize	13'-1"	3	30" x 19" HERCP	No*	152.7	26.0
09+49.58	54.42' Rt.	37TH STREET	SW Corner, 37th & Maize	13'-1"	3	30" x 19" HERCP	No*	152.7	26.0
10+48.62	60.96' Lt.	37TH STREET	NE Corner, 37th & Maize	9'-7"	2	34" x 22" HERCP	Yes	124.7	40.5
10+47.17	63.12' Rt.	37TH STREET	SE Corner, 37th & Maize	9'-7"	2	34" x 22" HERCP	Yes	124.7	40.5
52+93.83	56.78' Lt.	MAIZE ROAD	East Side of Maize Rd.	10'-7 1/2"	2	38" x 24" HERCP	No	133.0	34.0
53+81.90	56.78' Lt.	MAIZE ROAD	East Side of Maize Rd.	10'-7 1/2"	2	38" x 24" HERCP	No	133.0	34.0
57+86.90	56.78' Lt.	MAIZE ROAD	East Side of Maize Rd.	10'-7 1/2"	2	38" x 24" HERCP	No	133.0	34.0
58+98.94	56.78' Lt.	MAIZE ROAD	East Side of Maize Rd.	10'-7 1/2"	2	38" x 24" HERCP	No	133.0	34.0

\*Ditch lining transition to be shaped accordingly to receive ditch flow from the west.



SECTION B-B

**DITCH  
LINING  
DETAILS**  
SHEET TITLE  
472-84693  
PROJECT NUMBER

DESIGN BY  
DRAWN BY  
CHECKED BY

ISSUED  
March 24, 2009  
REVISED

SHEET NO.  
62 of 133