

**37TH STREET IMPROVEMENTS
FROM
MAIZE ROAD TO TYLER ROAD**

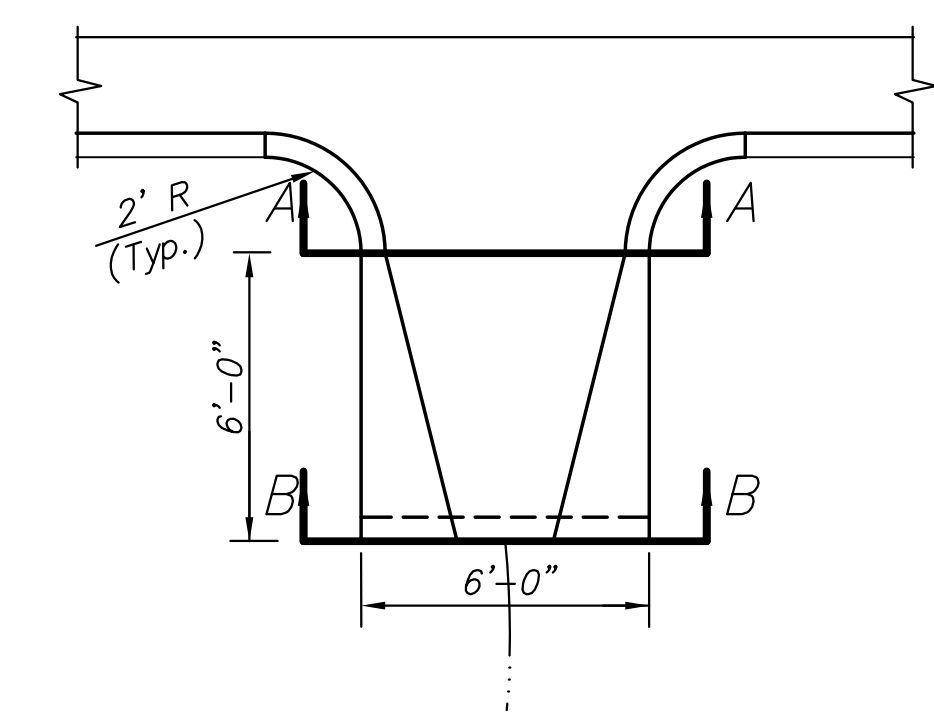
**DRAINAGE
FLUME
DETAILS**
SHEET TITLE
472-84693
PROJECT NUMBER

DESIGN BY
DRAWN BY
CHECKED BY

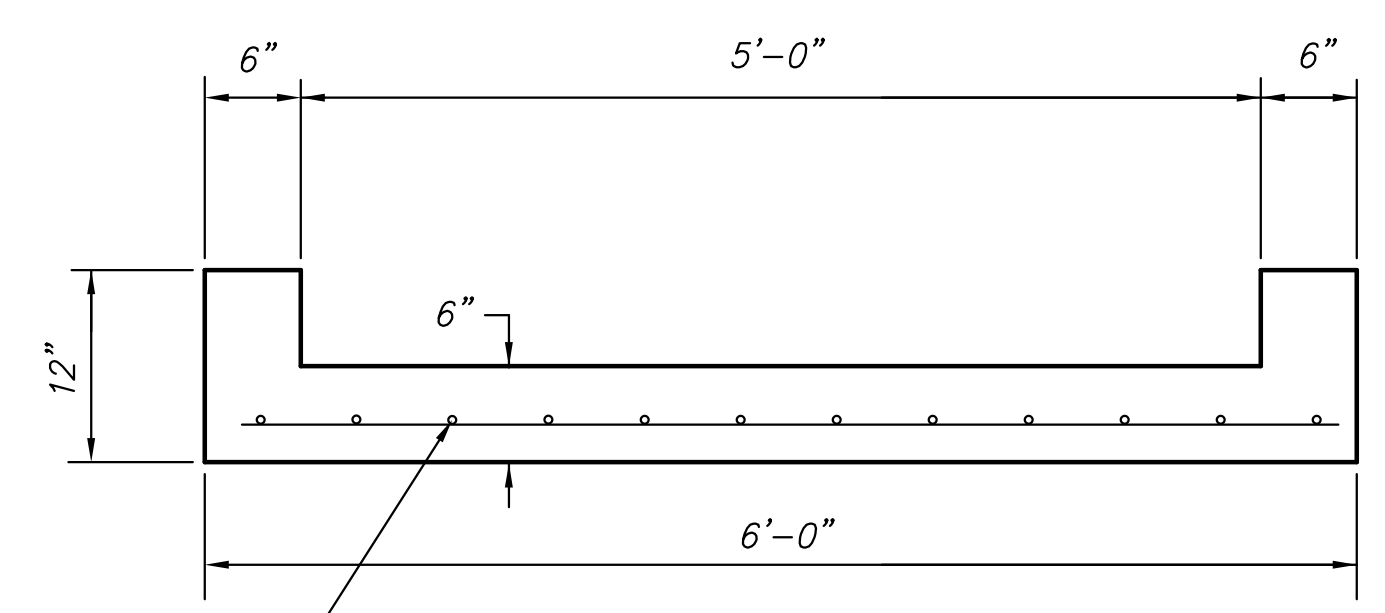
ISSUED
March 24, 2009
REVISED

SHEET NO.
63 of 133

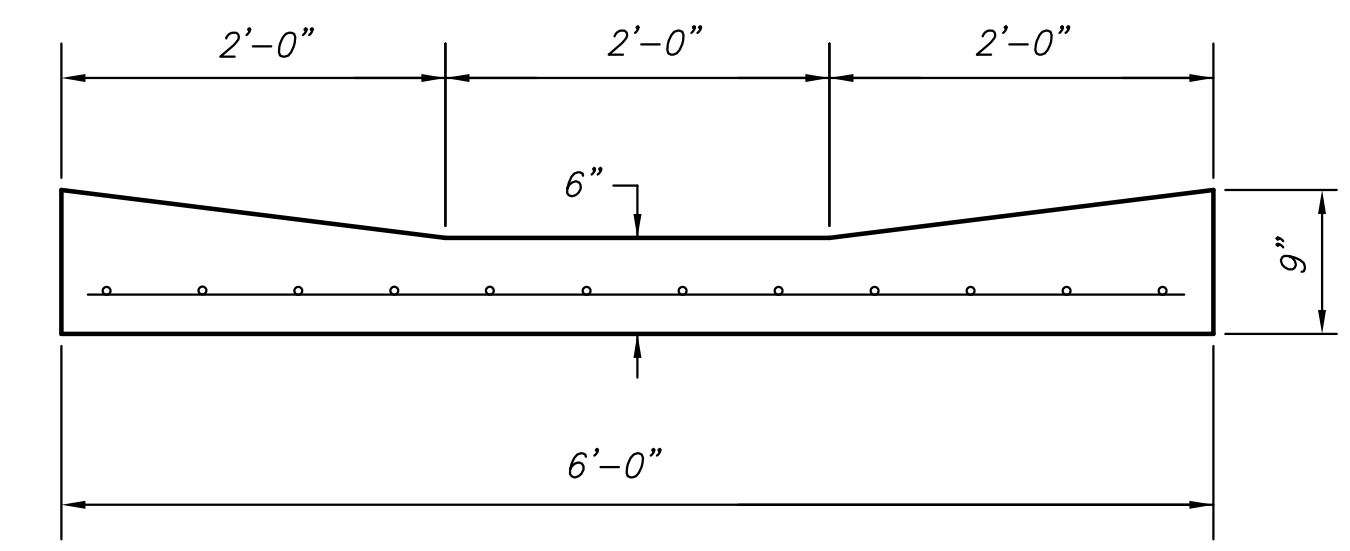
J:\Civil\08137\DWG\Details\08137Dwg Flume Dets



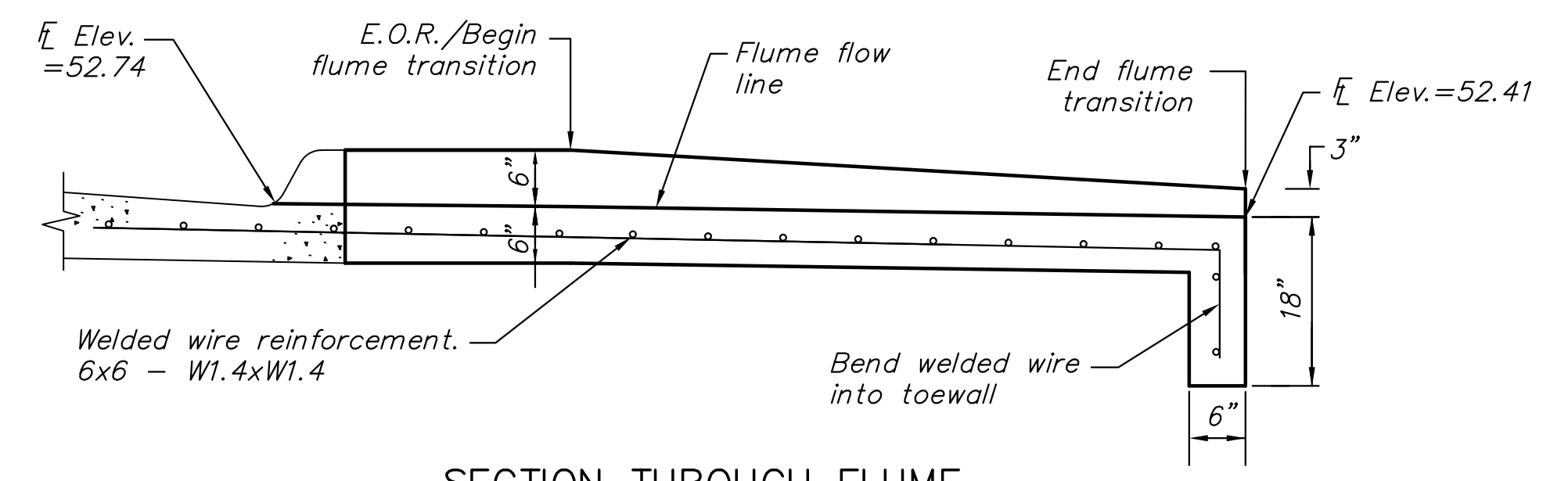
GUTTER FLUME PLAN



SECTION A-A



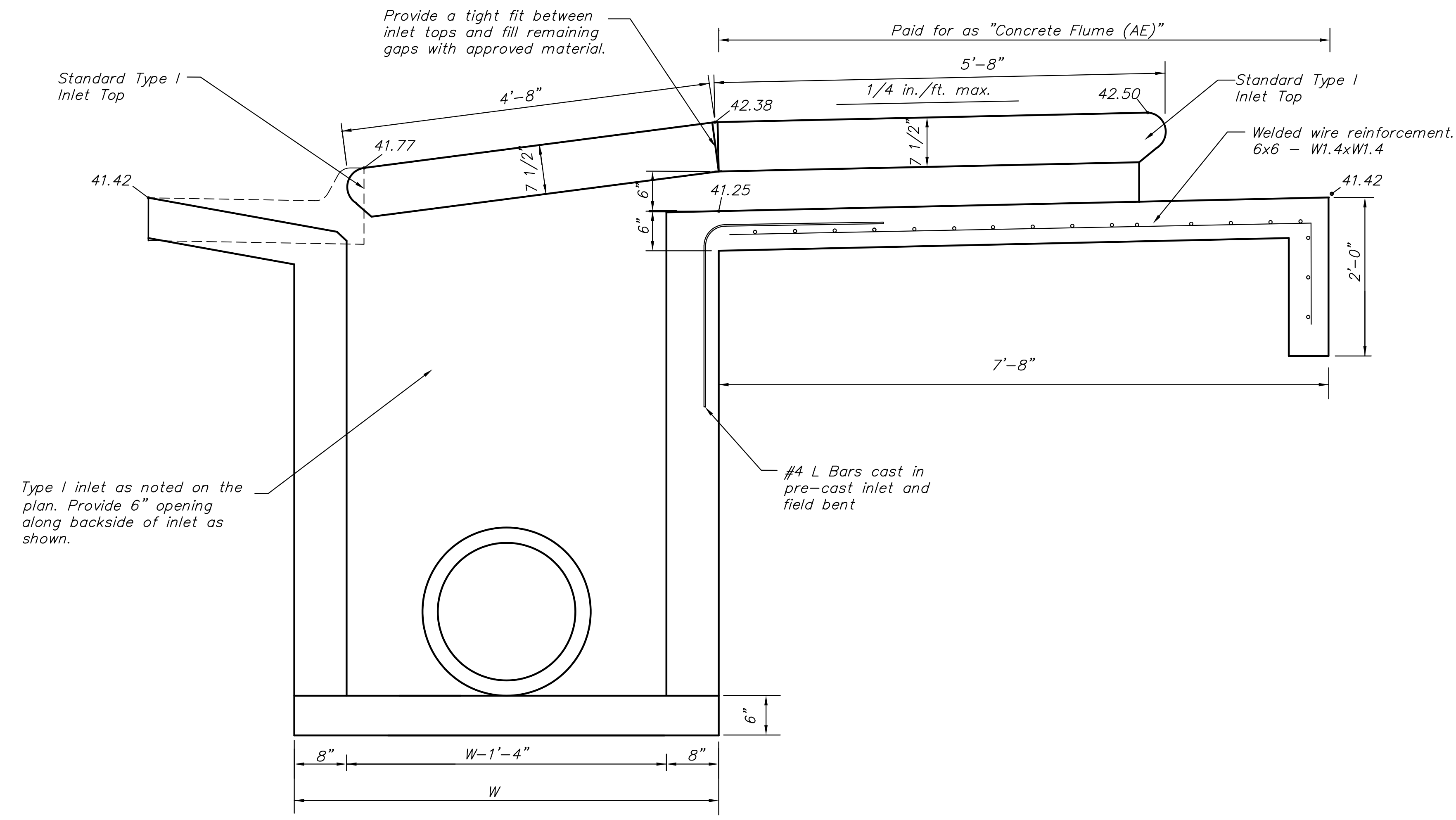
SECTION B-B



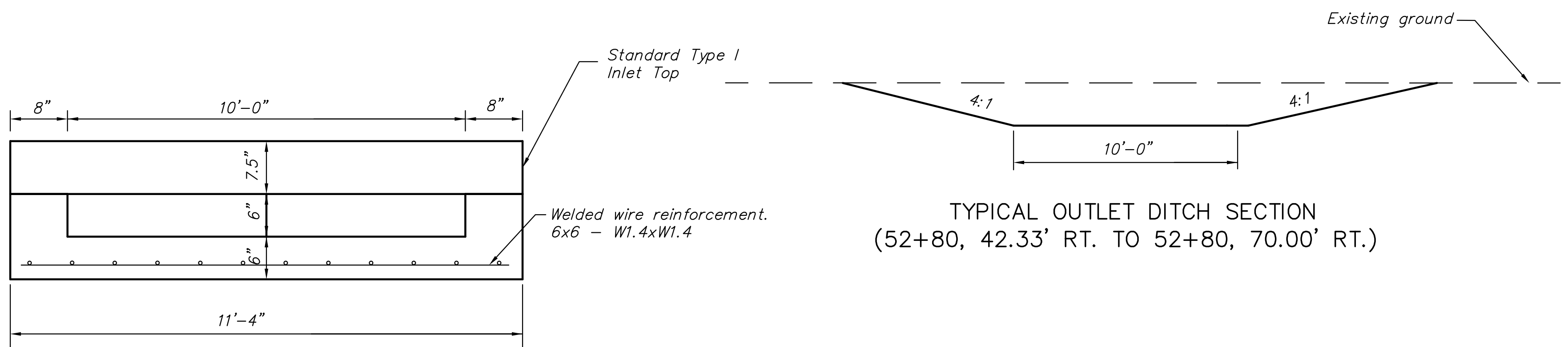
SECTION THROUGH FLUME

GUTTER FLUME DETAIL

Note: See cross-sections for ditch grading.

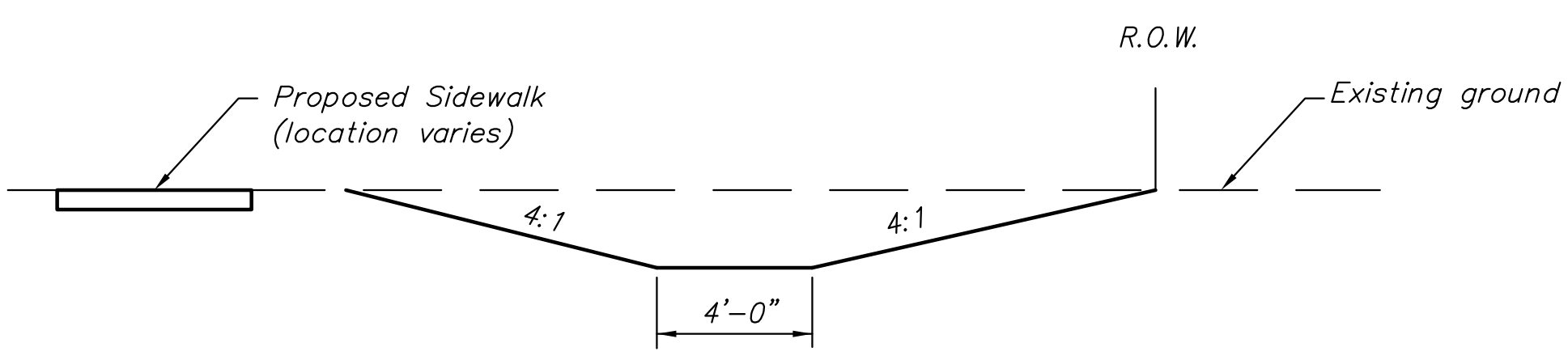


SECTION THROUGH CURB INLET AND OUTLET FLUME



TYPICAL OUTLET DITCH SECTION
(52+80, 42.33' RT. TO 52+80, 70.00' RT.)

SECTION THROUGH OUTLET FLUME



TYPICAL OUTLET DITCH SECTION
(52+80, 70.00' RT. TO 59+20, 65.80' RT.)

OUTLET FLUME AND DITCH DETAILS

OUTLET DITCH ALIGNMENT	
STATION	¢ OFFSET
52+80	70.0' Rt.
55+00	70.0' Rt.
59+20	65.8' Rt.

PLOTTED: Tuesday, March 24, 2009 11:29AM