

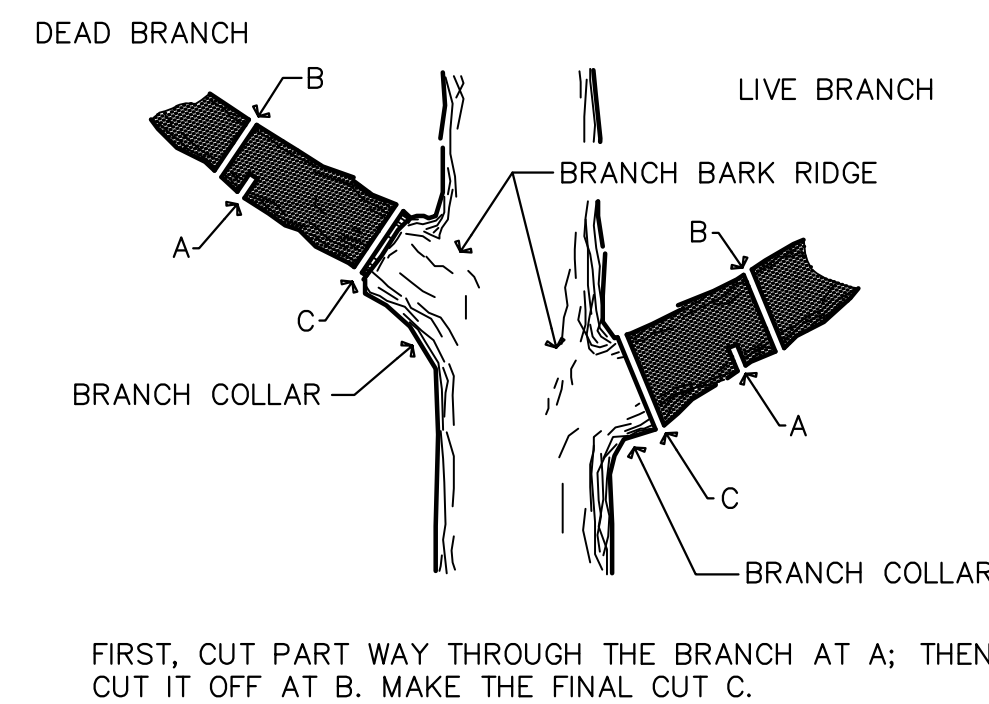
GENERAL NOTES

- CONTRACTOR SHOULD MAKE THEMSELVES FAMILIAR WITH THE PLANS AND ALL NOTES BEFORE BIDDING THIS PROJECT. C.O.W. SPECIFICATIONS SHALL APPLY. THE NOTES AND DETAILS ON THIS SHEET SHALL TAKE PRECEDENCE OVER C.O.W. SPECIFICATIONS WHEN IN CONFLICT.
- THE GENERAL CONTRACTOR SHALL BE RESPONSIBLE TO LOCATE THE TREES TO BE PROTECTED AREAS AND IDENTIFY THEM IN THE FIELD PRIOR TO ANY SITE WORK.
- LANDSCAPE CONTRACTOR IS TO VERIFY THE LOCATION OF ALL UNDERGROUND UTILITIES (INCLUDING THOSE INDICATED ON THE PLAN) PRIOR TO INSTALLATION OF PLANT MATERIAL. UTILITIES CAN BE FLAGGED BY CALLING 687-2470.
- NO SITE WORK OR CONSTRUCTION ACTIVITIES MAY OCCUR OUTSIDE OF THE LIMITS OF DISTURBANCE WITHOUT THE PRIOR APPROVAL OF THE ENGINEER. TREE PROTECTION FENCES MUST REMAIN INTACT AND IN PLACE DURING SITE WORK.
- ALL WATER REQUIRED FOR LANDSCAPE OPERATIONS AND FOR ESTABLISHING LANDSCAPE ON THIS SITE WILL BE PROVIDED BY THE CONTRACTOR.
- ALL PLANTS SHALL CONFORM TO ANSI Z60.1 FOR SIZE AND QUALITY STANDARDS. WITH THE EXCEPTION OF ORNAMENTAL TREES WILL HAVE MINIMUM BRANCHING HEIGHT OF 3' AND SHADE TREES WILL HAVE MINIMUM BRANCHING HEIGHT OF 4'.
- ALL LANDSCAPE PLANTS SHALL BE GUARANTEED FOR ONE YEAR FOLLOWING INITIAL ACCEPTANCE. DEAD OR DEFICIENT PLANTINGS SHALL BE ACCEPTABLY REPLACED, IN PROPER PLANTING SEASON, ONE TIME AT NO COST TO THE OWNER. SOD, AND HYDROSEED AREAS MAY BE FINAL ACCEPTED AT TIME OF COMPLETION OF ESTABLISHMENT (SEE NOTES ABOVE), WITH NO FURTHER GUARANTEE REQUIRED.
- THE STATION AND OFFSET FOR EACH PROPOSED PLANTING IS APPROXIMATE AS SHOWN ON THE ROADSIDE IMPROVEMENT PLAN. PLANTING MAY NEED TO BE FIELD ADJUSTED SLIGHTLY TO AVOID CONFLICT WITH EXISTING OR PROPOSED FEATURES.
- ALL GRAVEL OR OTHER SIMILAR DEBRIS LARGER THEN 1/2 INCH IN DIAMETER SHALL BE RAKED UP AND REMOVED BEFORE ANY SODDING OR SEEDING OPERATIONS ARE PERFORMED. SOIL SHALL BE PREPPED AND SMOOTHED NEATLY TO REMOVE ALL FOREIGN SUBSTANCES AND TO ELIMINATE WATER PONDING LOW SPOTS.
- THE PLANTING SOIL MIXTURE FOR ALL TREE PLANTINGS SHALL BE SOIL EXCAVATED FROM THE HOLE.
- WHERE OFFSITE SELECT SOIL IS NEEDED, IT SHALL BE FERTILE NATURAL TOPSOIL, TYPICAL OF THE LOCALITY, OBTAINED FROM WELL DRAINED AREAS. STOCKPILED TOPSOIL MAY BE USED. IT SHALL BE WITHOUT ADMIXTURE OF SUBSOIL OR SLAG AND SHALL BE FREE OF STONES, LUMPS, STICKS, PLANTS, THEIR ROOTS, TOXIC SUBSTANCES OR OTHER EXTRANEOUS MATTER THAT MAY BE HARMFUL TO PLANT GROWTH OR WOULD INTERFERE WITH FUTURE MAINTENANCE. TOPSOIL PH RANGE SHALL BE 5.5 TO 7.0.
- ALL TREE SAUCERS AND PLANTING BEDS ARE TO BE MULCHED WITH A MINIMUM OF 3" FINE SHREDDED DARK HARDWOOD MULCH OR GRADE A SHREDDED CEDAR MULCH. MULCH SHALL BE APPROVED BY LANDSCAPE ARCHITECT. WHERE PLANTING BEDS ARE ADJACENT TO WALKS AND CURBS THE SOIL LEVEL SHALL BE 3" LOWER TO ALLOW FOR MULCH LAYER. WHERE SOD IS INDICATED, ITS THICKNESS SHALL ALSO BE ACCOUNTED FOR SO THAT THE SOIL SURFACE IN THE SOD MATCHES IN LEVEL WITH THE LANDSCAPE SURFACE.
- STEEL EDGING, MULCH, STAKES, GUY WIRE, PRE EMERGENT HERBICIDES, ETC. SHALL BE SUBSIDIARY TO INDIVIDUAL PLANTS.
- THE CONTRACTOR SHALL FLAG AND LABEL PROPOSED PLANT LOCATIONS AFTER UTILITY LOCATE AND GAIN APPROVAL OF LOCATIONS FROM LANDSCAPE ARCHITECT PRIOR TO BRINGING PLANTS TO THE SITE.
- CONTRACTOR SHALL TAG PLANT MATERIAL PROPOSED FOR PROJECT AT NURSERY AND CONTACT LANDSCAPE ARCHITECT FOR VIEWING ALL PLANT MATERIAL SHALL BE APPROVED BY THE LANDSCAPE ARCHITECT PRIOR TO PLANTING. PLANTS SHALL BE OF FIRST CLASS QUALITY WITHOUT SCRAPES, POOR FOLIAGE, AND ROOTS. ALL TREES SHALL HAVE A DOMINANT CENTRAL LEADER AND STRUCTURALLY SOUND BRANCHING JOINTS AND PATTERNS. SHADE TREES WITH LOW BRANCHING (< 5' FROM GROUND) OFF OF THE MAIN TRUNK WILL BE REJECTED. NON-CONFORMING PLANTS WILL BE UNACCEPTABLE.
- LABEL EACH TREE AND PERENNIAL MASS WITH A SECURELY ATTACHED, WATERPROOF TAG BEARING LEGIBLE DESIGNATION OF BOTH BOTANICAL AND COMMON NAME. DO NOT REMOVE UNTIL AFTER PROVISIONAL ACCEPTANCE.
- STAKES AND GUYING SHALL BE REMOVED BY THE CONTRACTOR AT THE END OF ONE FULL GROWING SEASON.
- ANY TOPSOIL NEEDED TO CORRECT SOIL LEVELS IN SUMP AREAS WITHIN THE R.O.W. SHALL BE FERTILE NATURAL TOPSOIL, TYPICAL OF THE LOCALITY, OBTAINED FROM WELL DRAINED AREAS. STOCKPILED TOPSOIL MAY BE USED. IT SHALL BE WITHOUT ADMIXTURE OF SUBSOIL OR SLAG AND SHALL BE FREE OF STONES, LUMPS, STICKS, PLANTS OR THEIR ROOTS, TOXIC SUBSTANCES OR OTHER EXTRANEOUS MATTER THAT MAY BE HARMFUL TO PLANT GROWTH OR WOULD INTERFERE WITH FUTURE MAINTENANCE. TOPSOIL PH RANGE SHALL BE 5.5 TO 7.0.
- SUBSTITUTION OF PLANT SPECIES TYPES FOR THOSE LISTED IN THE PLANT LIST IS NOT PERMISSIBLE UNLESS APPROVED BY MKEC (684-9600). IN WRITING PRIOR TO BIDDING ANY SPECIES SUBSTITUTION WHICH HAS NOT BEEN APPROVED SHALL BE REMOVED IMMEDIATELY AND REPLACED WITH THE CORRECT PLANT.
- THE CONTRACTOR SHALL TAKE CARE SO AS TO NOT DAMAGE ANY EXISTING TREES. THE CONTRACTOR SHALL KEEP EQUIPMENT OUT OF AND AWAY FROM EXISTING TREE DRIP LINES.
- AREAS BEYOND THE BACK OF CURB SHALL BE SEEDED UNLESS OTHERWISE NOTED.

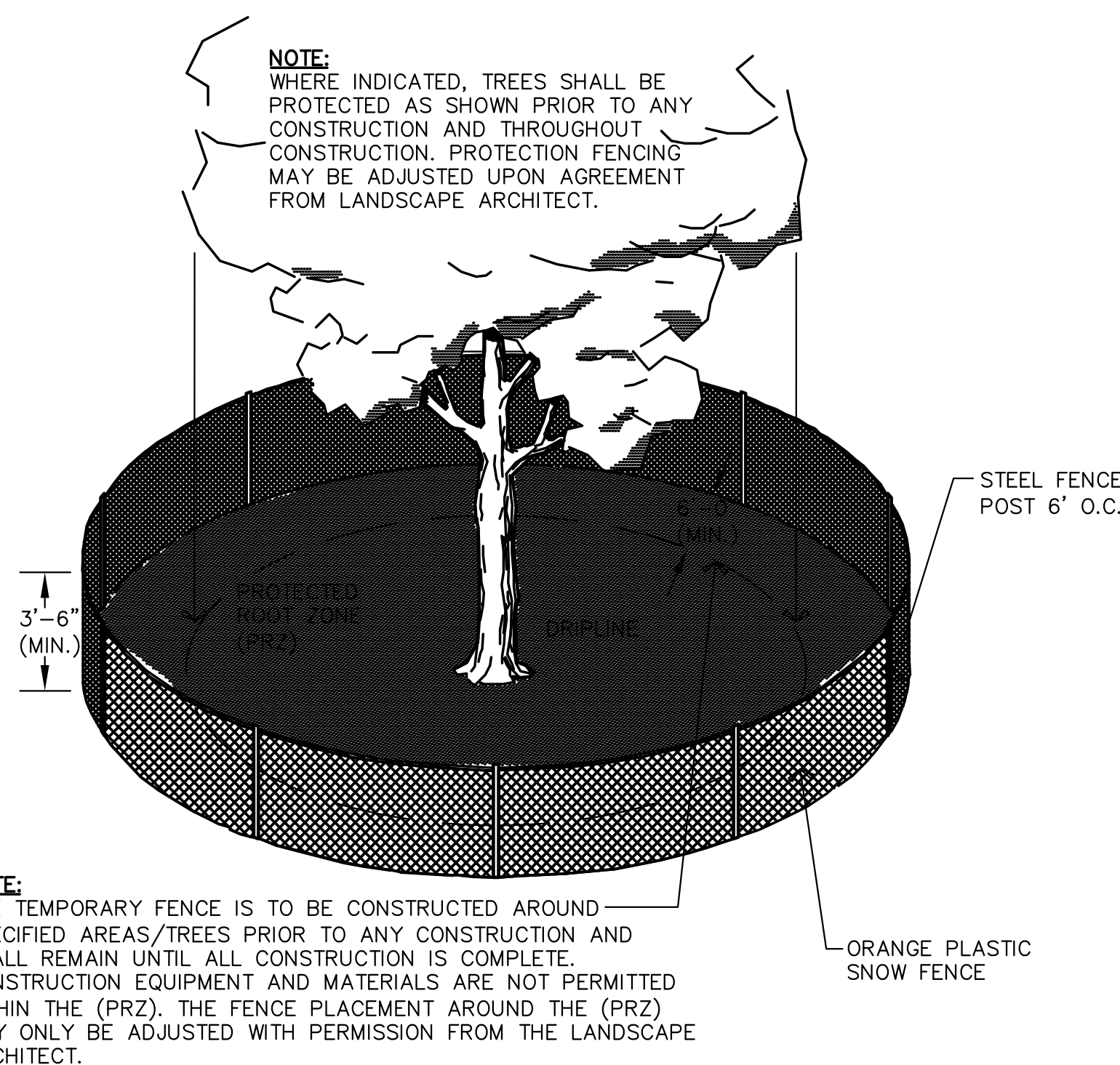
OVERALL PLANT SCHEDULE

KEY	QTY	COMMON NAME	BOTANICAL NAME	SIZE & METHOD OF HANDLING	REMARKS
DECIDUOUS SHADE TREES					
COZ	14	COLUMNAR ZELKOVA	ZELKOVA SERRATA 'MUSASHINO'	2" CAL. / B#B	MIN. BRANCHING HEIGHT STARTING @ 4'
CSM	12	CADDO SUGAR MAPLE	ACER SACCHARUM 'CADD0'	2" CAL. / B#B	MIN. BRANCHING HEIGHT STARTING @ 4'
HEM	5	HEDGE MAPLE	ACER CAMPESTRE	2" CAL. / B#B	MIN. BRANCHING HEIGHT STARTING @ 4'
SAW	16	SAWTOOTH OAK	QUERCUS ACTUISSIMA	2" CAL. / B#B	MIN. BRANCHING HEIGHT STARTING @ 4'
SHM-1	17	SHANTUNG MAPLE	ACER TRUNCATUM	1-1/2" CAL. / B#B	MIN. BRANCHING HEIGHT STARTING @ 4'
SHM-2	8	SHANTUNG MAPLE	ACER TRUNCATUM	3" CAL. / B#B	MIN. BRANCHING HEIGHT STARTING @ 4'
SHO-1	3	SHUMARD OAK	QUERCUS SHUMARDII	3.5-4" CAL. / B#B	MIN. BRANCHING HEIGHT STARTING @ 4'
SHO-2	8	SHUMARD OAK	QUERCUS SHUMARDII	3.5-4" CAL. / B#B	MIN. BRANCHING HEIGHT STARTING @ 4'
SWO-1	1	SWAMP WHITE OAK	QUERCUS BICOLOR	3.5-4" CAL. / B#B	MIN. BRANCHING HEIGHT STARTING @ 4'
SWO-2	3	SWAMP WHITE OAK	QUERCUS BICOLOR	3.5-4" CAL. / B#B	MIN. BRANCHING HEIGHT STARTING @ 4'
TAM	12	TATARIAN MAPLE	ACER TATARIAN 'SUMMER SPLENDOR'	1-1/2" CAL. / B#B	MIN. BRANCHING HEIGHT STARTING @ 4'
EVERGREEN TREES					
CJ	27	'CANAERTI' JUNIFER	JUNIFERUS VIRGINIANA 'CANAERTI'	5'-6' HT.	

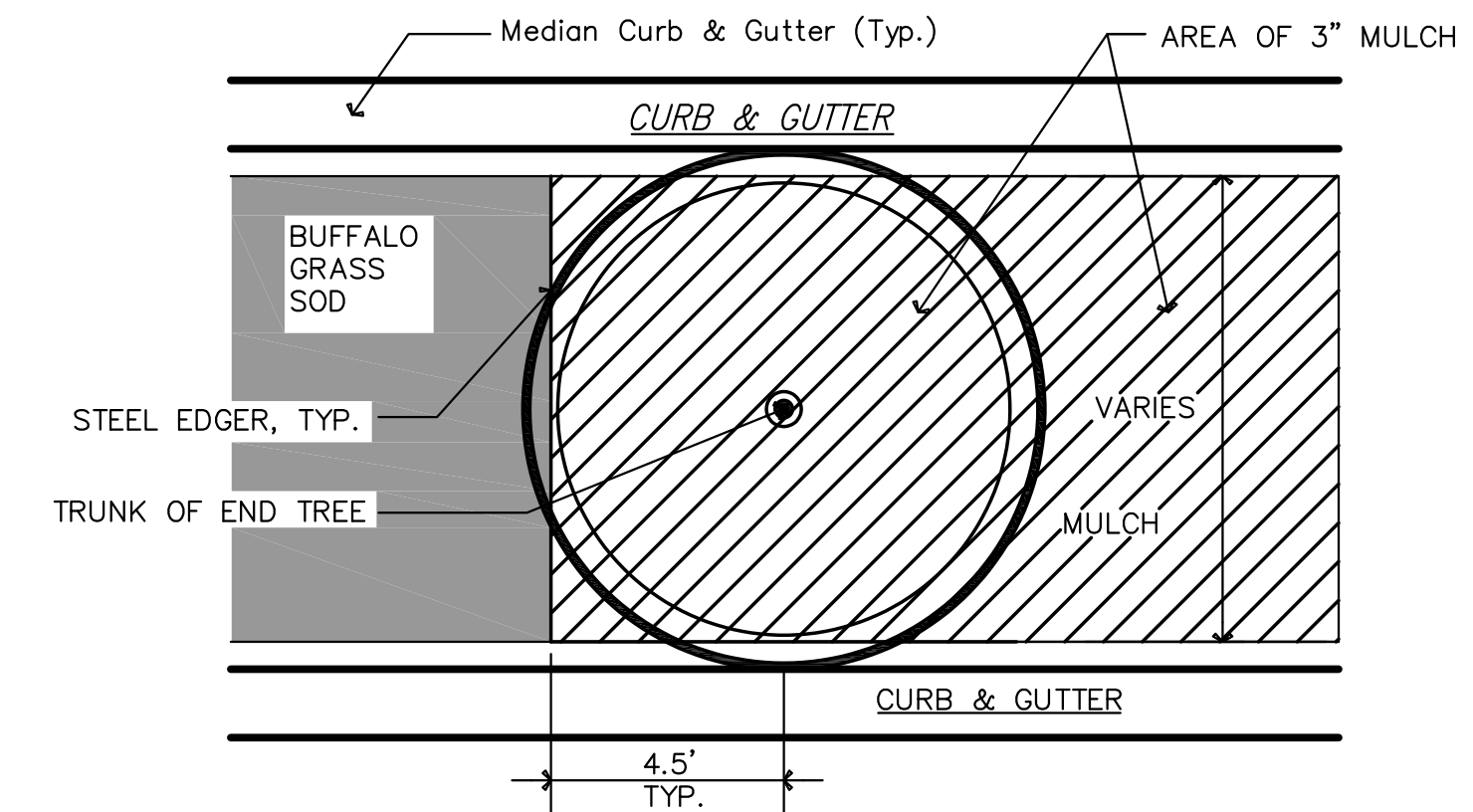
FOR INFORMATION ONLY:
 -SOD, 'LEGACY' BUFFALO, BUCHLOE DACTYLOIDES 'LEGACY'
 -MULCH (MEDIANS ONLY), 1166 S.Y.



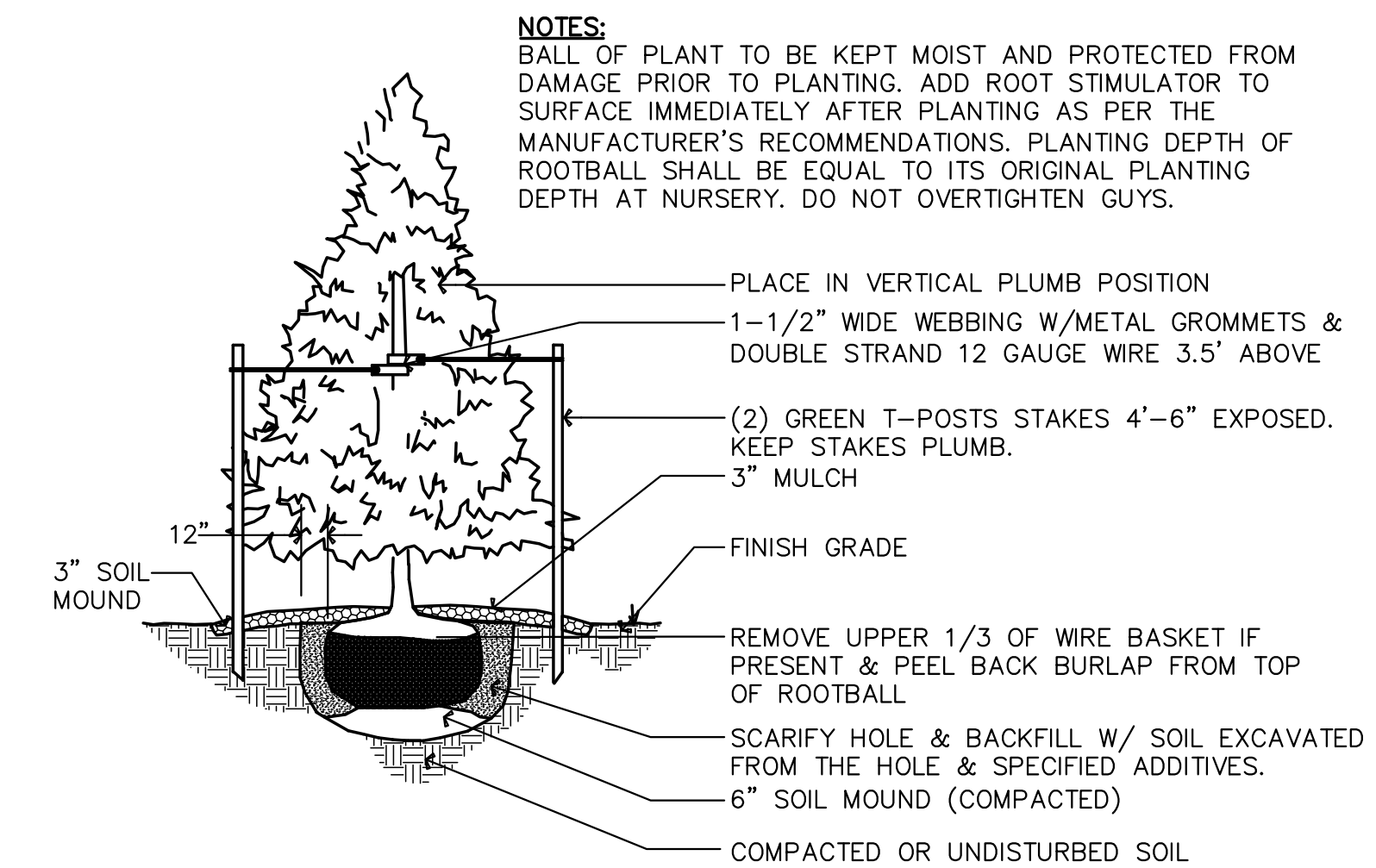
TREE TRIMMING DETAIL
NOT TO SCALE



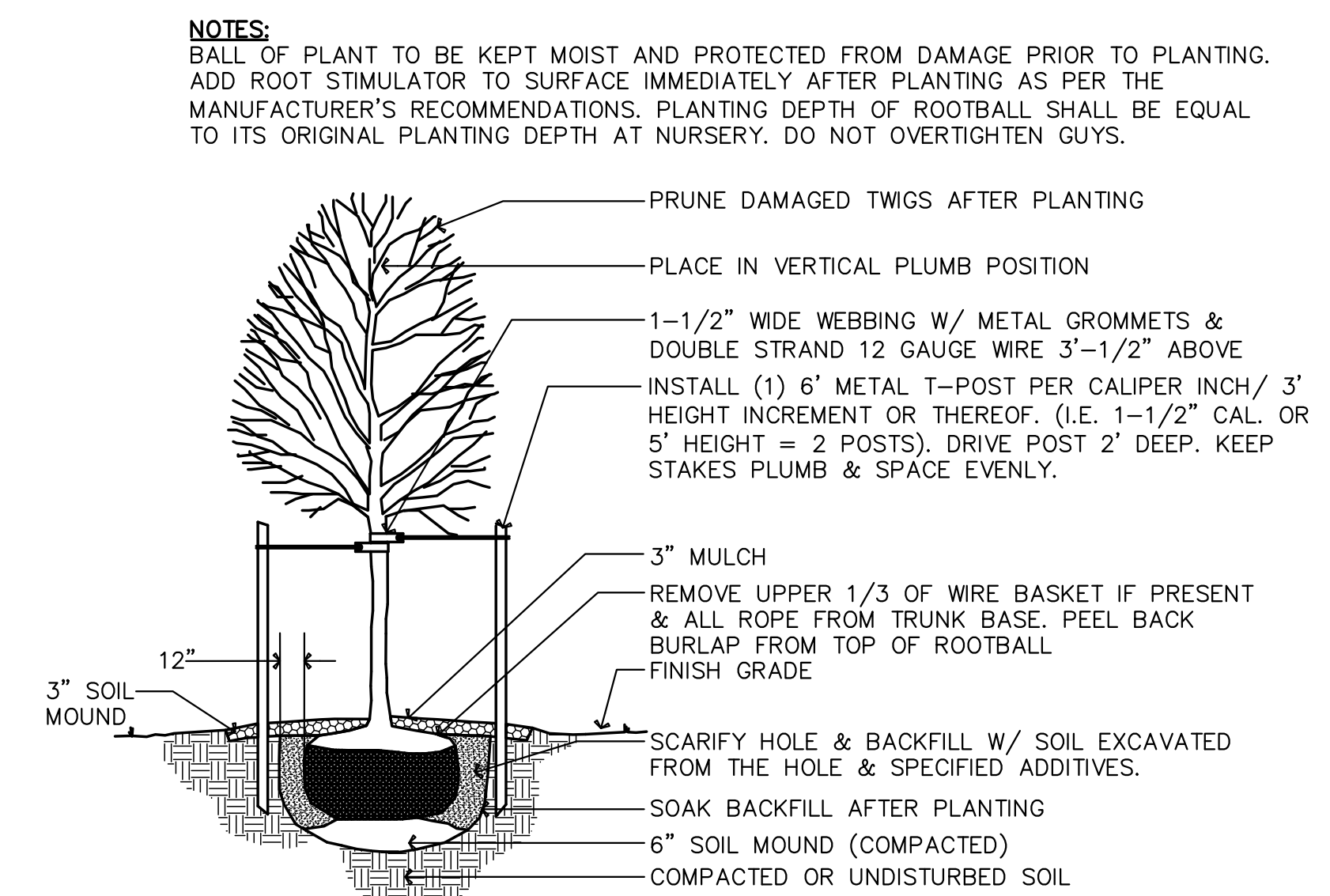
TREE PROTECTION DETAIL
NOT TO SCALE



PLAN DETAIL - TREE PLANTING IN MEDIAN
NOT TO SCALE



EVERGREEN TREE PLANTING DETAIL
NOT TO SCALE



DECIDUOUS TREE PLANTING UPRIGHT STAKES DETAIL
NOT TO SCALE

STATE	PROJECT NO.	YEAR	SHEET NO.	TOTAL SHEETS
KANSAS	472-84693	2008	79	125

MKEC
 ENGINEERING
 CONSULTANTS, INC.
 411 N. WEBB ROAD
 WICHITA, K.S. 67206
 316-684-9600

37TH STREET IMPROVEMENTS
FROM
MAIZE ROAD TO TYLER ROAD

ROADSIDE IMPROVEMENT PLAN

SHEET TITLE
 PROJECT NUMBER
472-84693

DESIGN BY
 DRAWN BY
 CHECKED BY

ISSUED
April 10, 2009
 REVISED

SHEET NO.
79 of 133