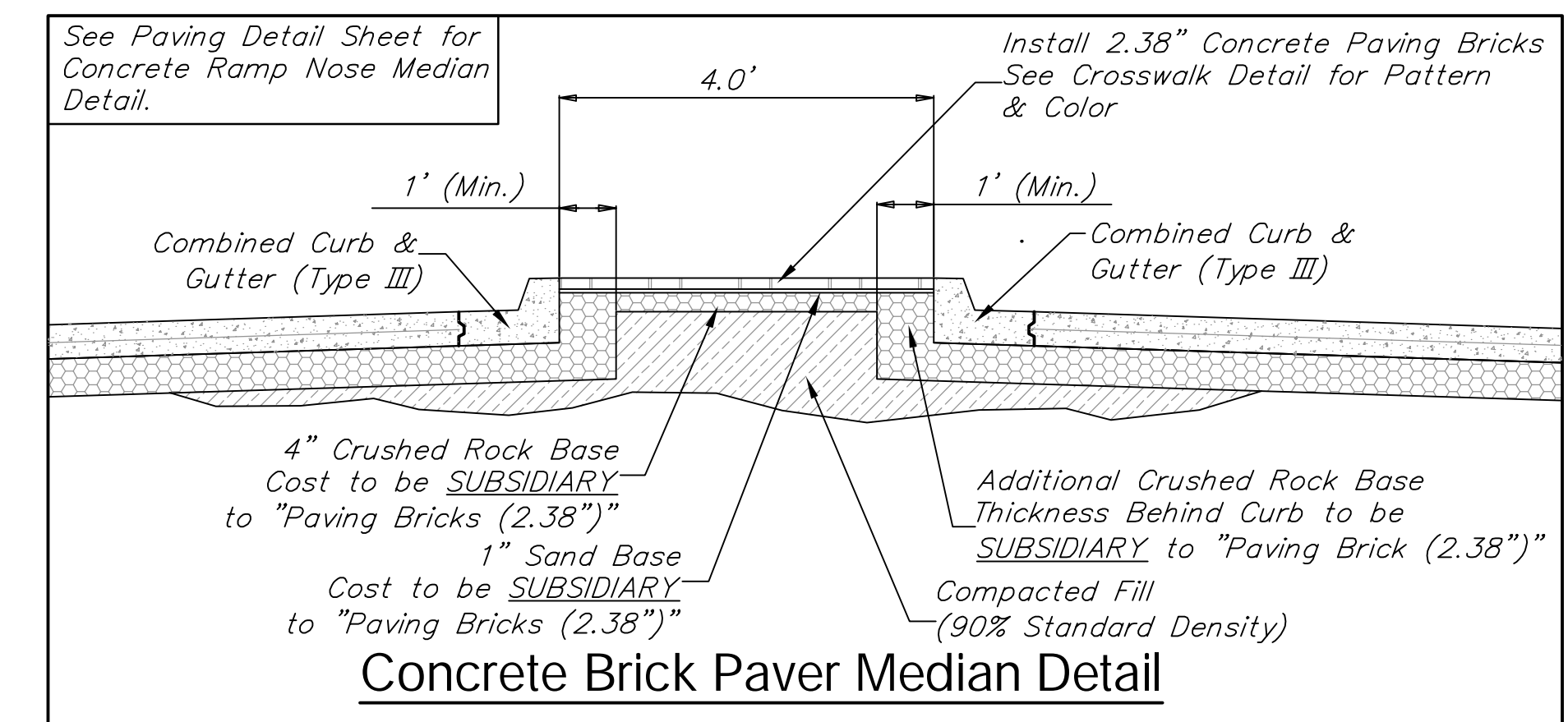
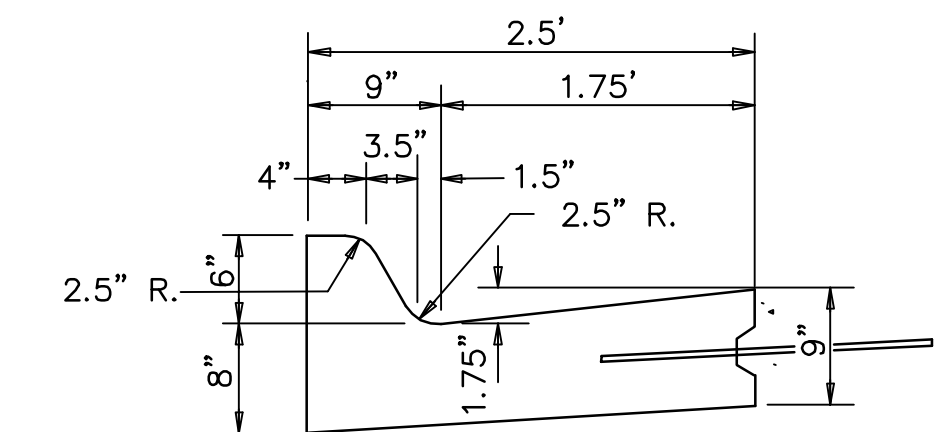


TYPICAL SECTION CONCRETE SIDE STREET HOOKUP

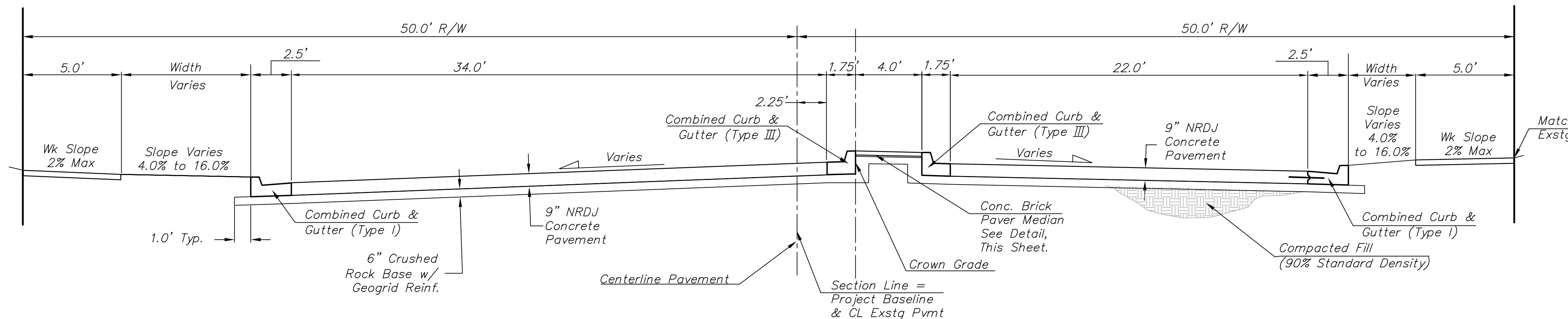
Sta 27+79.20 BL D to Sta 29+38.99 BL D
Sta 30+59.31 BL D to Sta 32+29.00 BL D



Concrete Brick Paver Median Detail

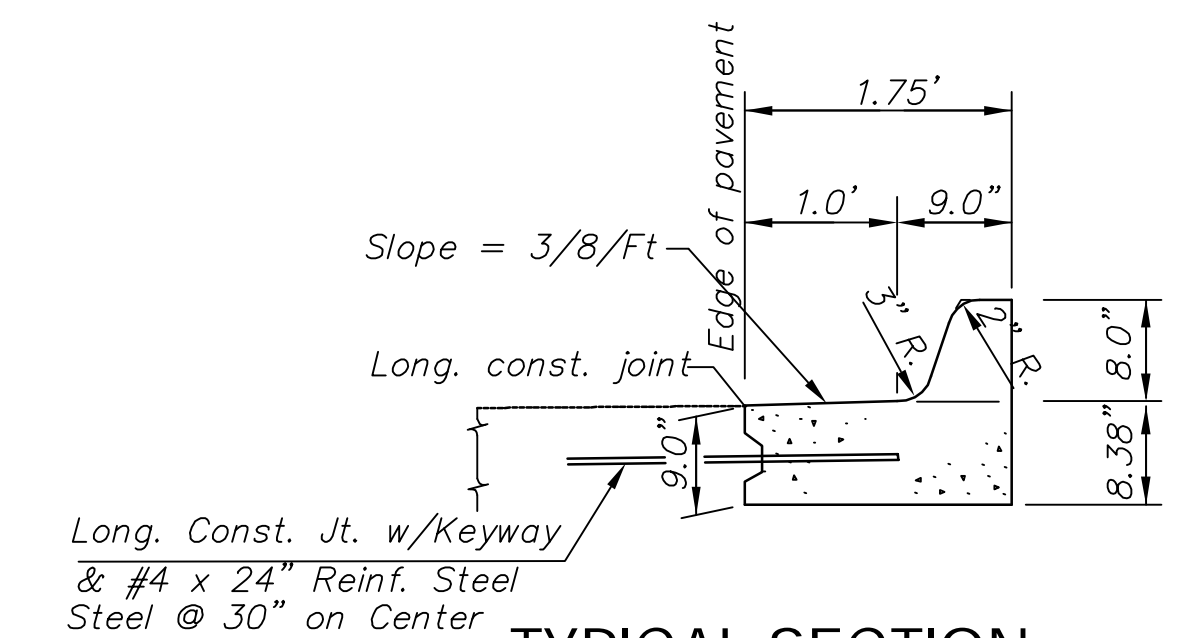


**TYPICAL SECTION
COMBINED CURB & GUTTER - STD CITY (2.5' WIDTH)**

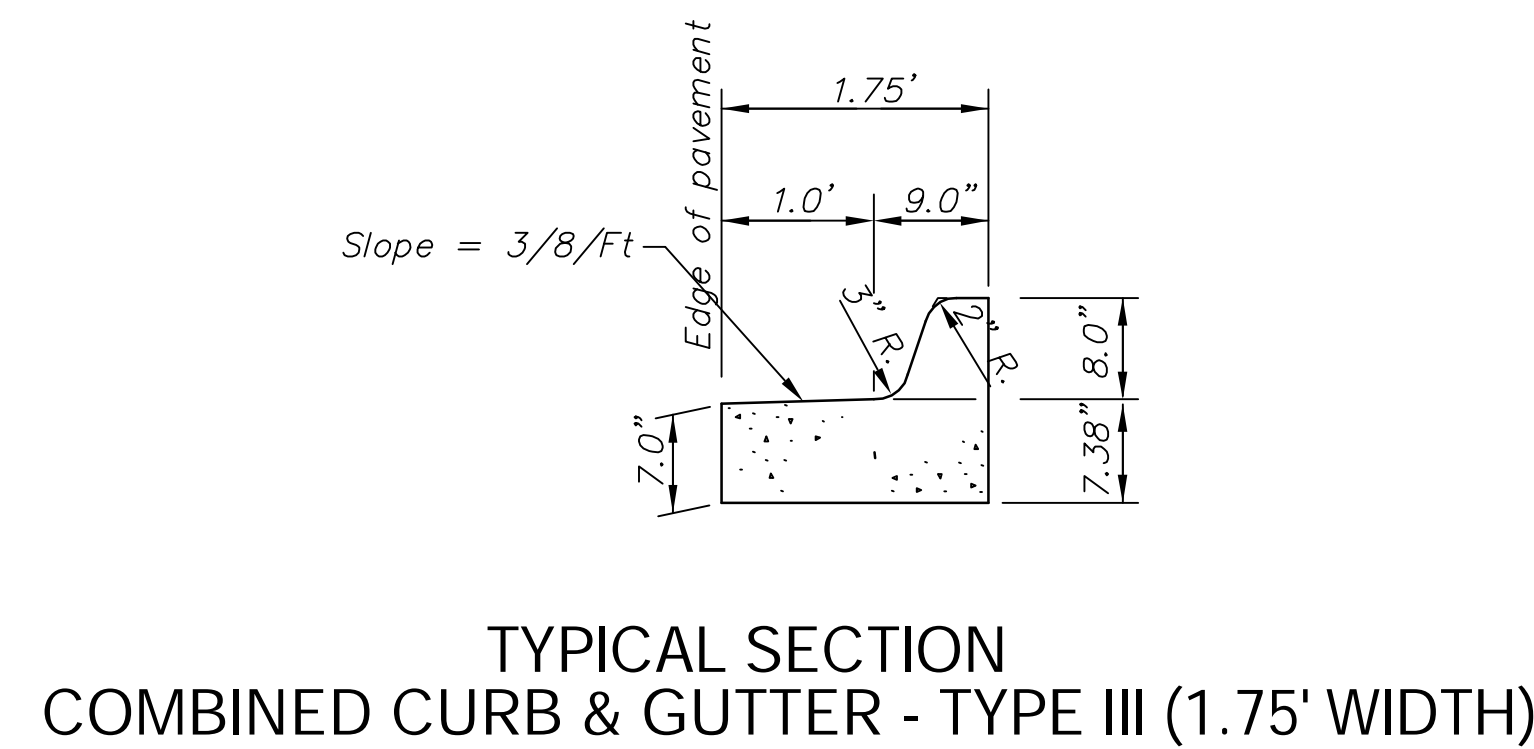


TYPICAL SECTION CONCRETE SIDE STREET HOOKUP

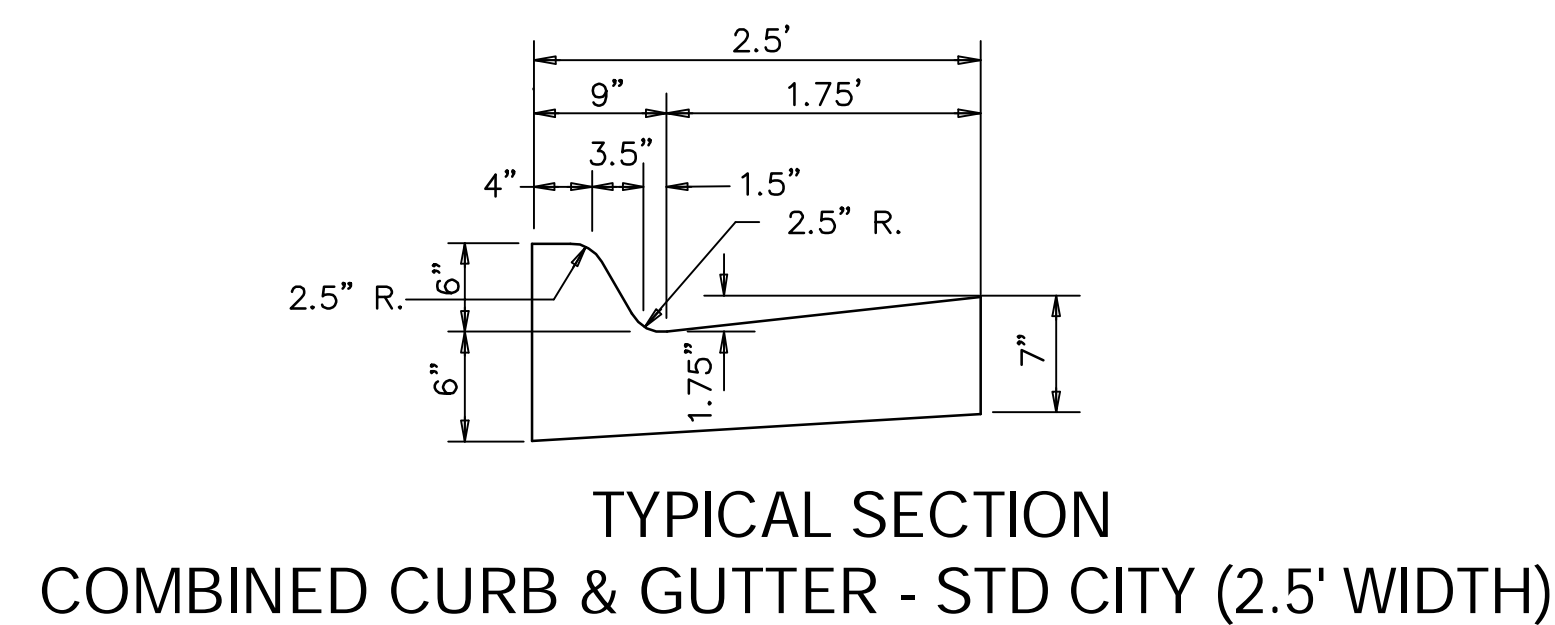
Sta. 20+84.95 BL C to Sta. 21+59.92 BL C



**TYPICAL SECTION
COMBINED CURB & GUTTER - TYPE III (1.75' WIDTH)**



**TYPICAL SECTION
COMBINED CURB & GUTTER - TYPE III (1.75' WIDTH)**



**TYPICAL SECTION
COMBINED CURB & GUTTER - STD CITY (2.5' WIDTH)**

General Notes

FABRIC BASE REINFORCEMENT SHALL BE B X 1100 BY TENSAR CORPORATION OR LBO201 BY TENAX CORPORATION OR APPROVED EQUAL. FABRIC BASE REINFORCEMENT SHALL BE INSTALLED IN ACCORDANCE WITH MANUFACTURER'S RECOMMENDATIONS.

ROCK BASE IS TO BE COMPACTED AND SMOOTHED WITH A STEEL FACED ROLLER PRIOR TO PLACEMENT OF PAVEMENT. TACK COAT WILL NOT BE APPLIED TO ROCK.

THE MAXIMUM JOINT LENGTH ALLOWED WILL BE LIMITED TO 12'.

Drawing File: F:\eng\West Street Paving New\Details\TypSec.dwg

Design: JFB
Drawn: STAFF
Approved: JFB
Scale: None

Project No. 0404.E859 CAPITAL IMPROVEMENT PROJECT
**WEST STREET TYPICAL
PAVING SECTIONS**
WEST STREET - SOUTH OF MAPLE STREET TO SOUTH OF CENTRAL AVENUE

Baughman Company, P.A.
315 Ellis St. Wichita, KS 67211 P 316-262-7271 F 316-262-0149
ENGINEERING | SURVEYING | PLANNING | LANDSCAPE ARCHITECTURE

November 2008
SHEET
OF
7
131