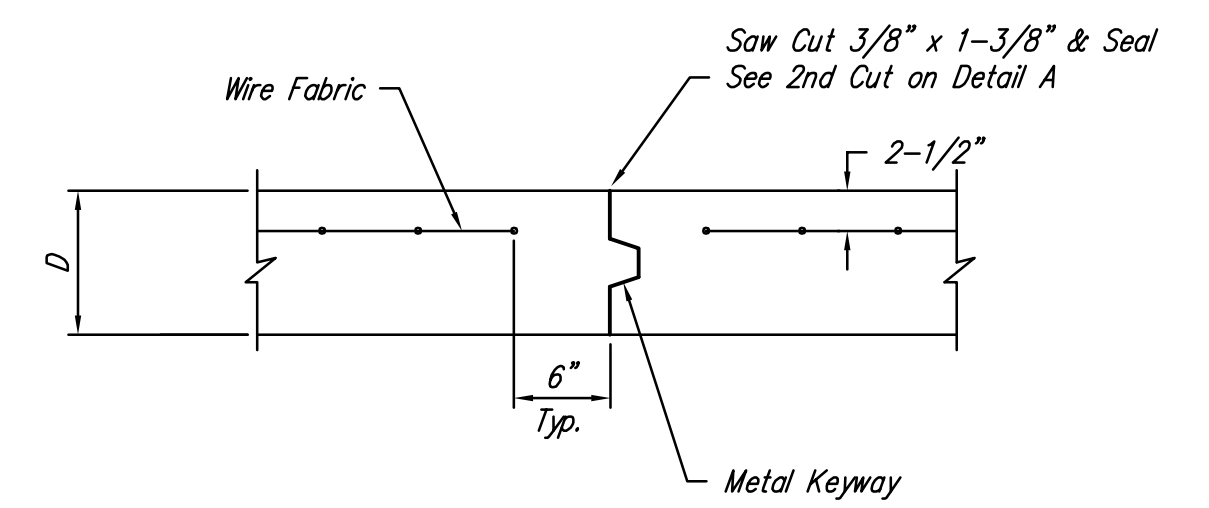
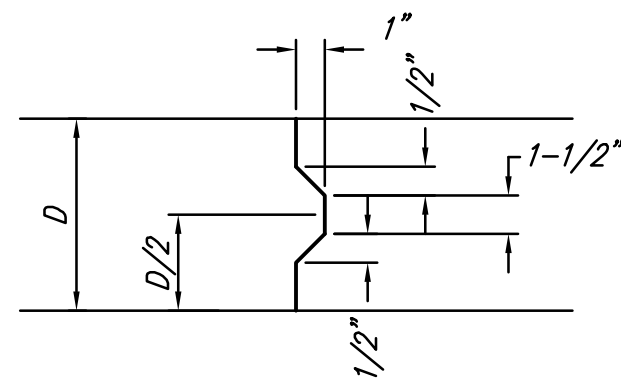


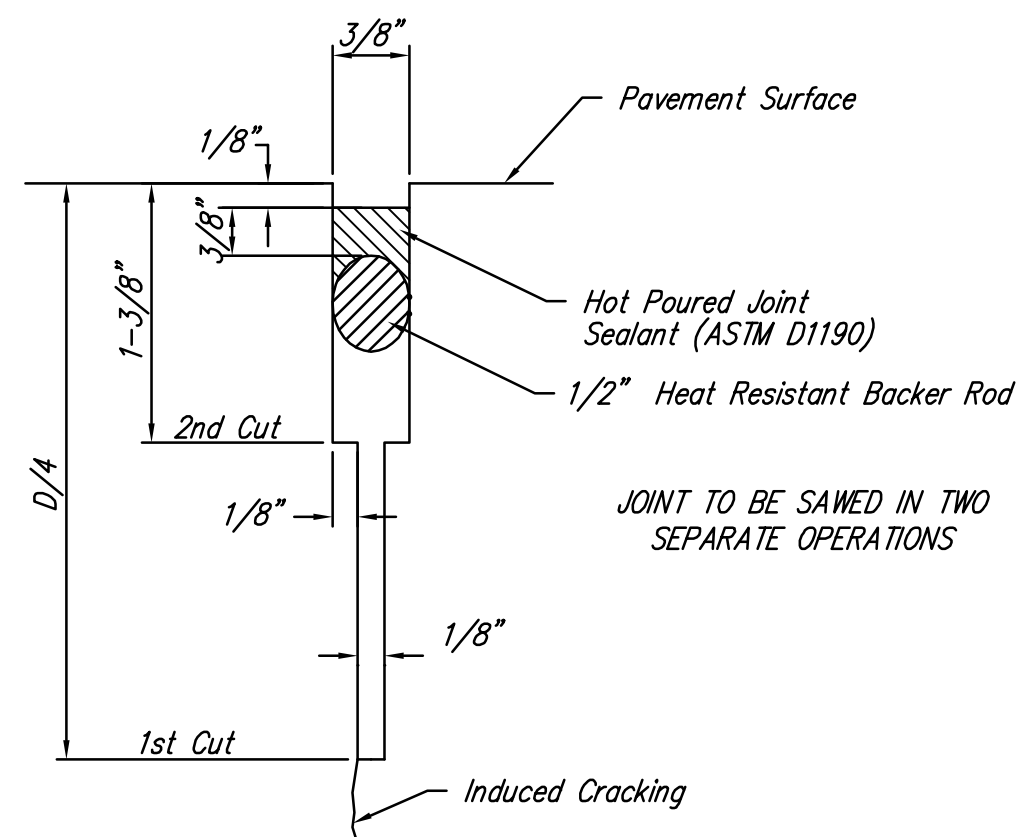
PAVING BRICK CROSSWALK DETAIL



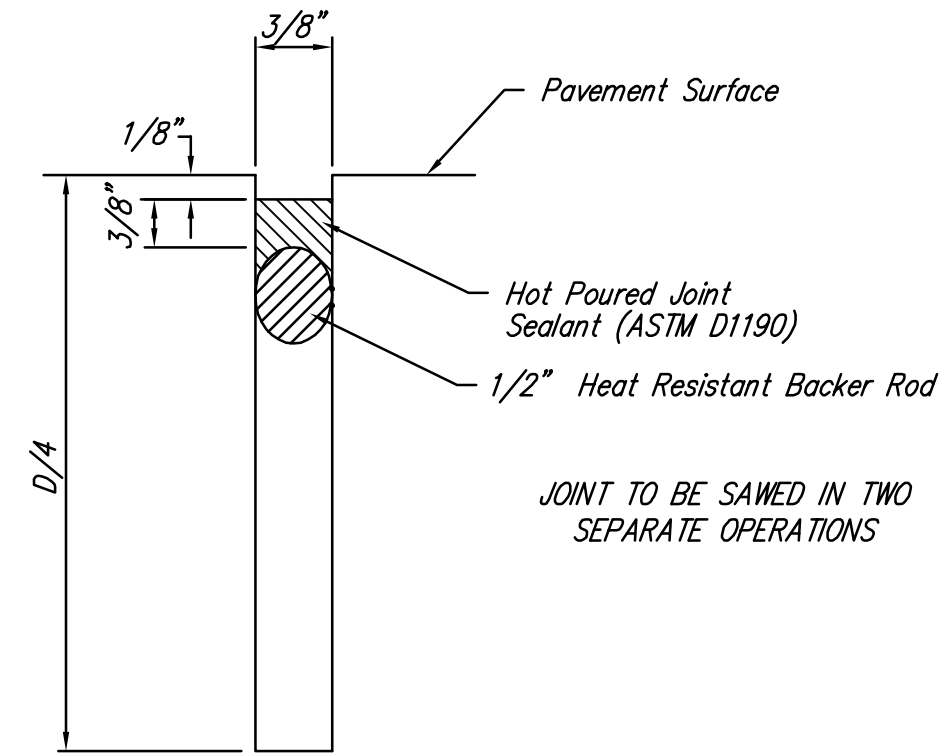
OPTIONAL CONTRACTION JOINT (CONSTRUCTION JOINT)



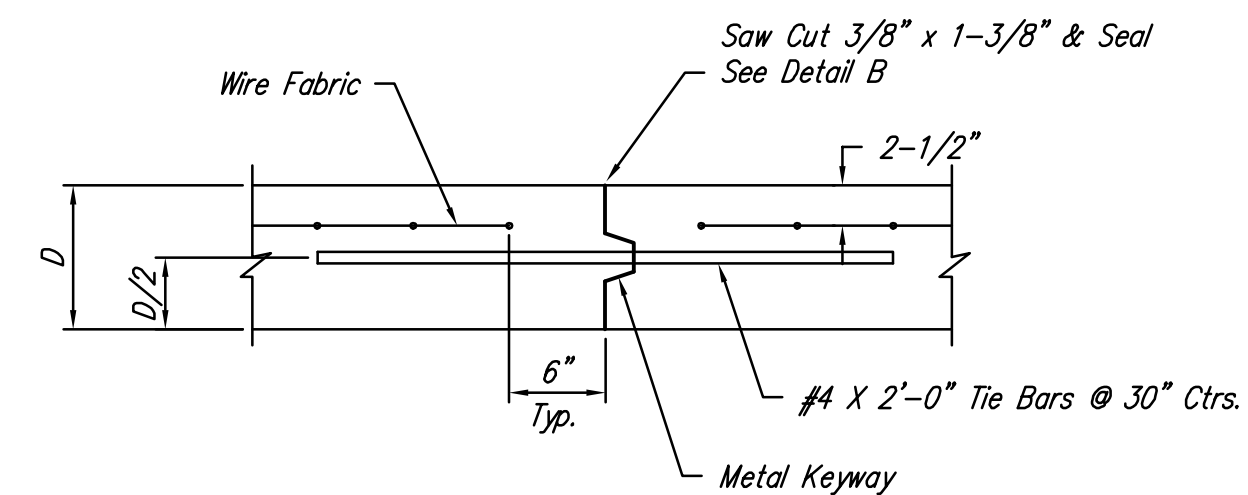
KEYWAY DETAIL



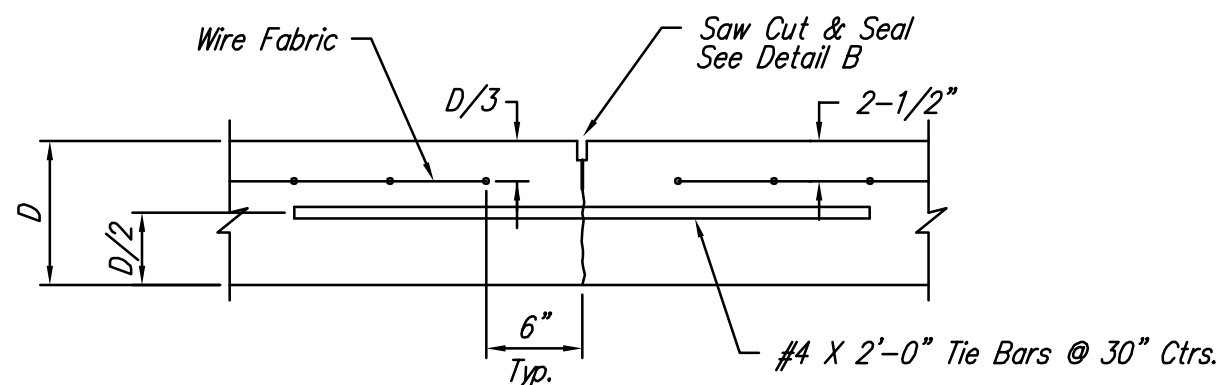
SAW JOINT DETAIL "A"



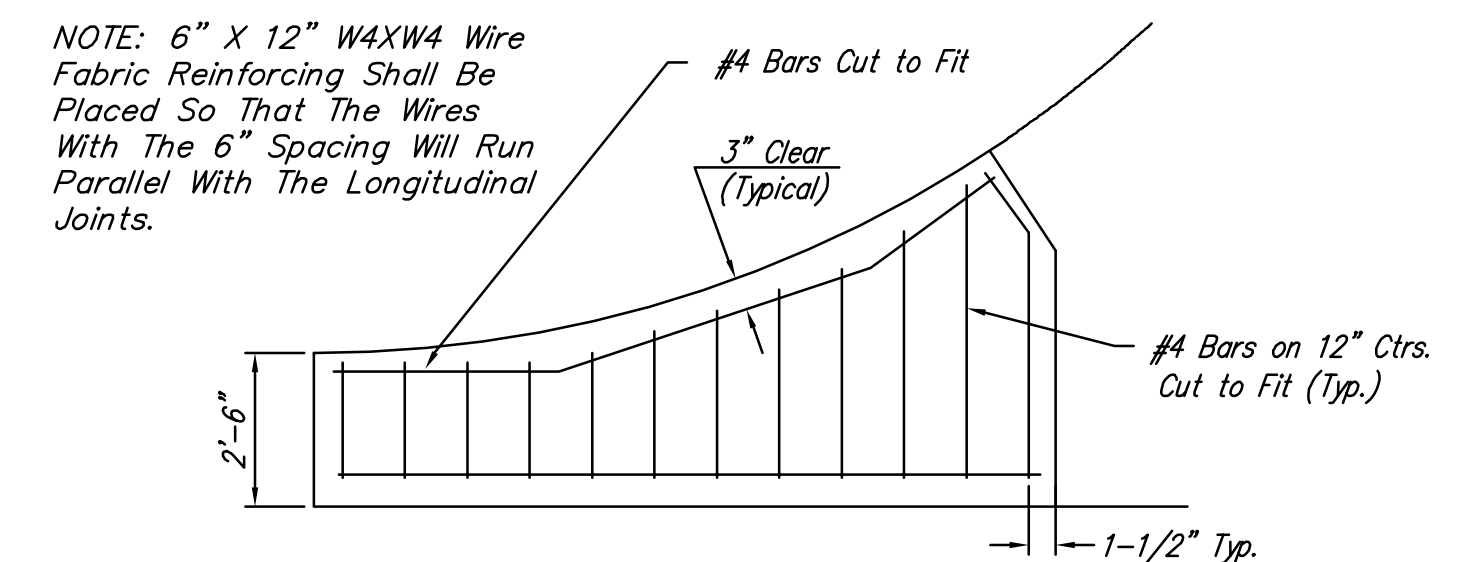
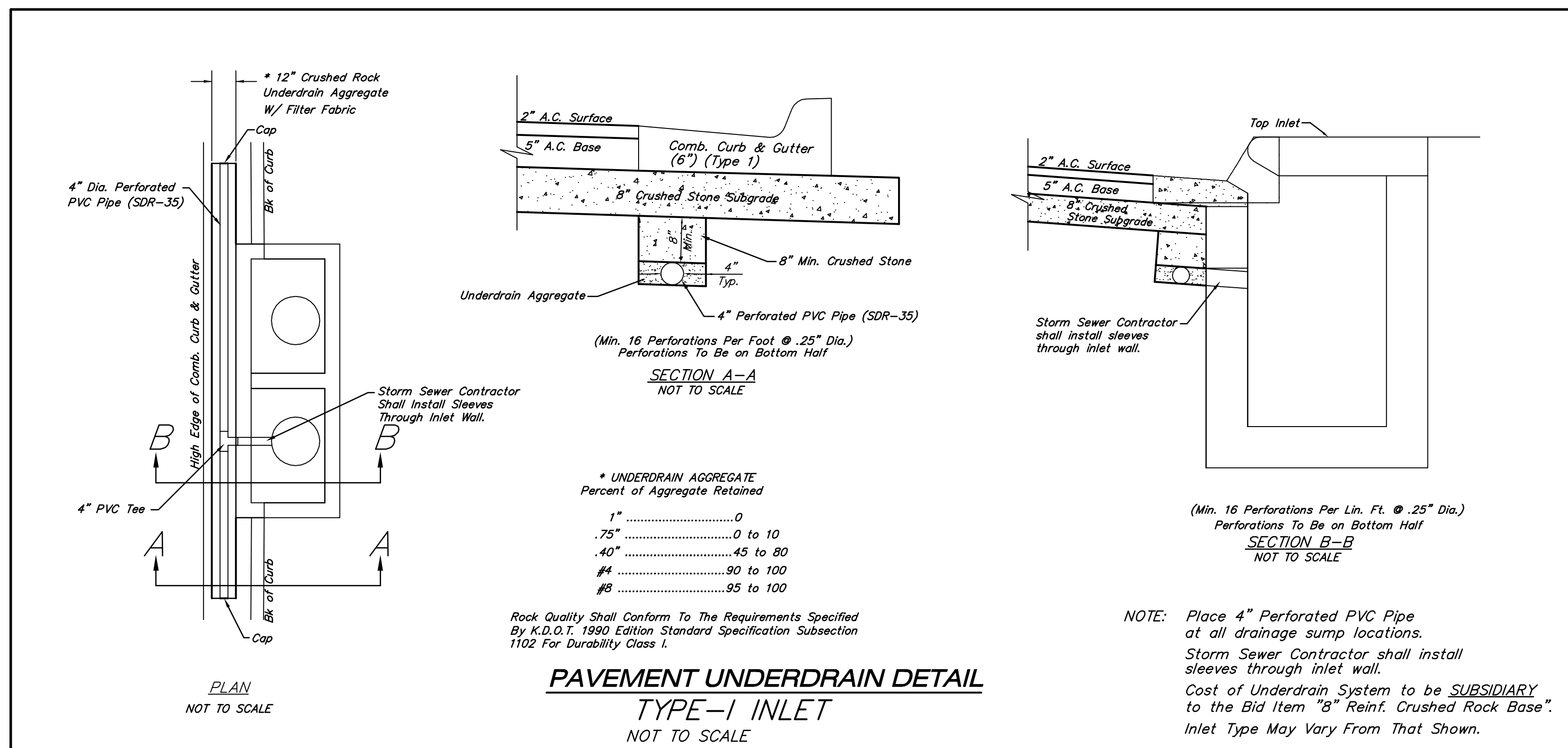
SAW JOINT DETAIL "B"



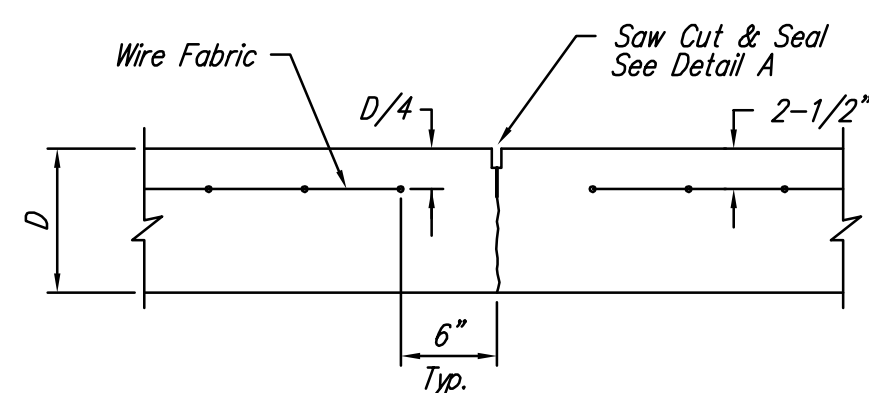
OPTIONAL LONGITUDINAL JOINT DETAIL (L.J.) (CONSTRUCTION JOINT)



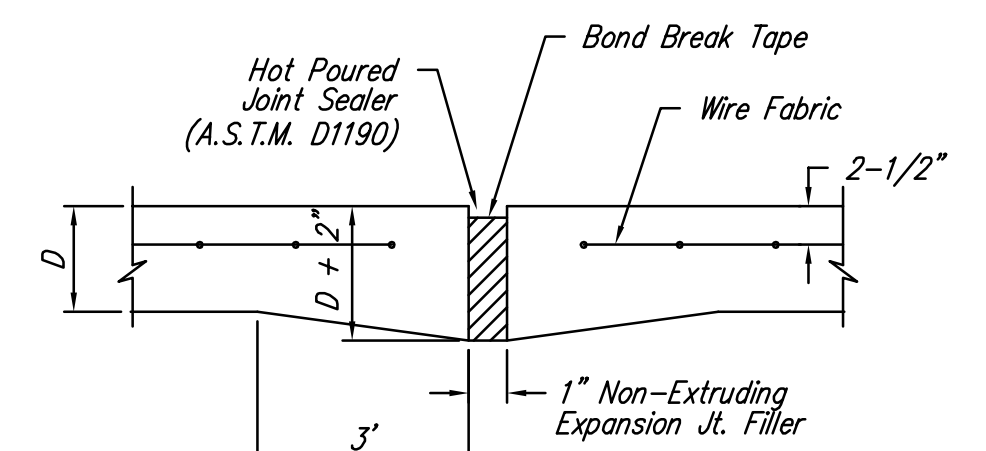
LONGITUDINAL JOINT DETAIL (L.J.)



WING REINFORCING DETAIL



CONTRACTION JOINT DETAIL (C.J.)



EXPANSION JOINT

NOTE: Extra Thickness to be Subsidiary to Price of Square Yards Pavement