

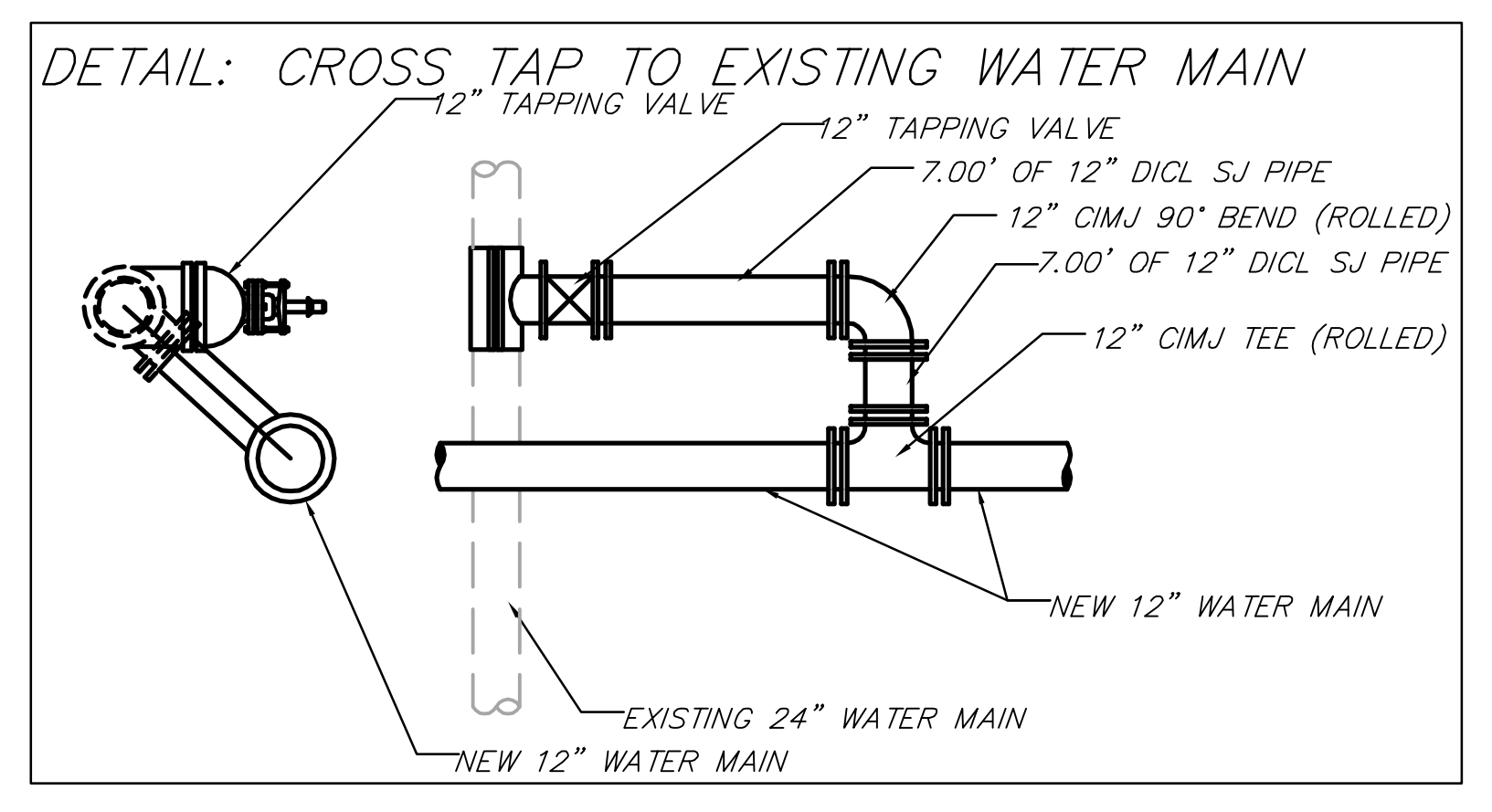
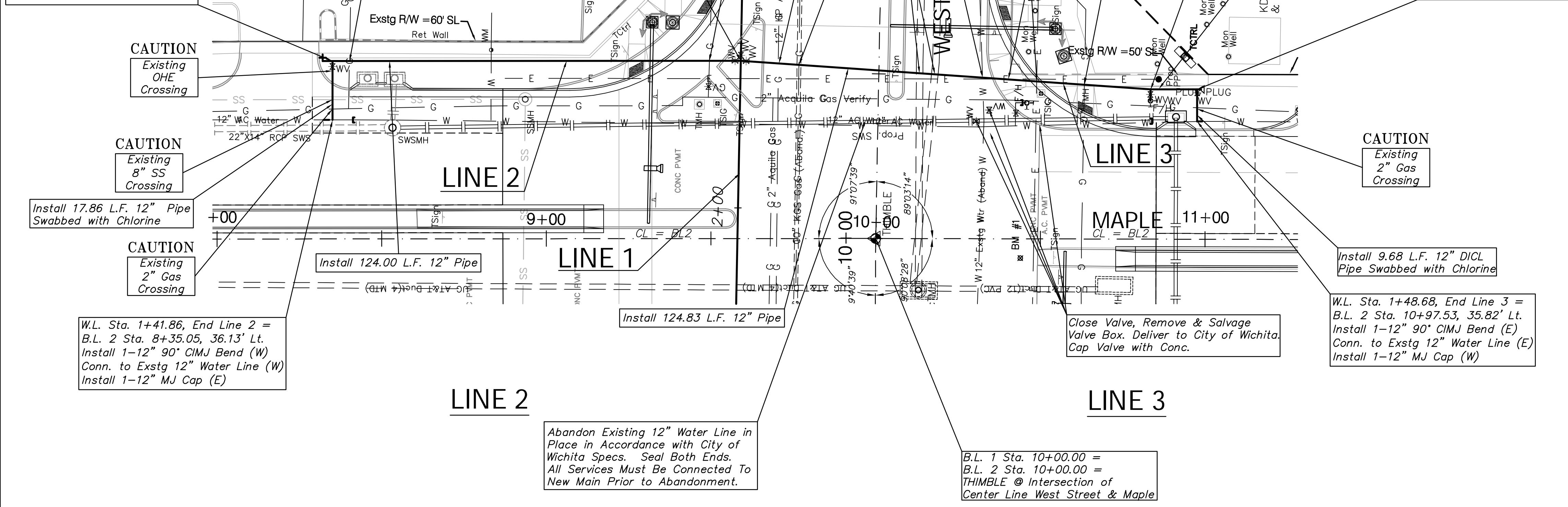
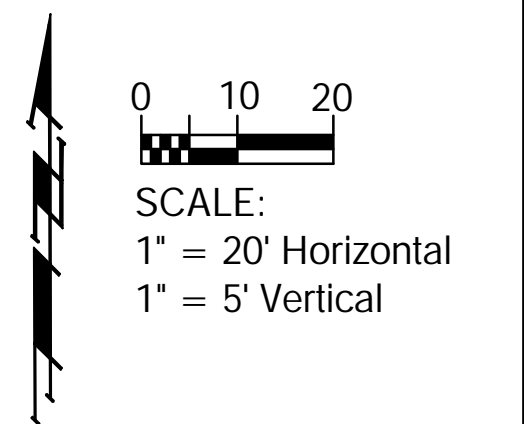
W.L. Sta. 1+24.00, Line 2 =  
 B.L. 2 Sta. 8+35.05, 54.00' Lt.  
 Install 1-12" CIMJ Tee (S)  
 Install 1-12" Anchor Valve Assy  
 (Gate Valve) (S)  
 Valve Box Elev. 117.31 Top  
 Install 3' L.F. 12" DI CL Pipe (W)  
 Install 1-2" Blowoff Assy (W)  
 Extend 12" Water Main South  
 Valve Box Elev. 117.29 Top

W.L. Sta. 0+00.00, Begin Line 2 =  
 W.L. Sta. 0+00.00, Begin Line 3 =  
 W.L. Sta. 2+44.68, Line 1 =  
 B.L. 2 Sta. 9+58.82, 54.00' Lt.  
 Connect to Valves on Line 1  
 Extend 12" Water Main East  
 Deflect Pipe 3'54"16" Rt  
 Extend 12" Water Main West

CAUTION Existing 2" Gas Crossing  
 CAUTION Existing 12" Gas Crossing  
 CAUTION Existing UGAT&T Crossing  
 CAUTION Existing 12" Water Crossing  
 CAUTION Existing 10" Gas Crossing

W.L. Sta. 1+24.83, Line 3 =  
 B.L. 2 Sta. 10+83.36, 45.50' Lt.  
 Install 1-Fire Hydrant Assy. (N)  
 L = 3.50'  
 Valve Box Elev. 117.09 Top  
 Bury Line Elev. 117.05  
 Deflect Pipe 3'54"16" Rt

W.L. Sta. 1+39.00, Line 3 =  
 B.L. 2 Sta. 10+97.53, 45.50' Lt.  
 Install 1-12" CIMJ Tee (S)  
 Install 1-12" Anchor Valve Assy  
 (Gate Valve) (S)  
 Install 1-12" Plug (E)  
 Extend 12" Water Main South  
 Valve Box Elev. 117.25 Top



**Benchmark**  
 BM #1 - "I" on W. End of Median 6.0' S. and 44.0' E. of C of Both Maple and West St. Elev. = 117.65' City Datum  
 BM #2 - "I" on Top Parking Island 7.0' N. and 24.0' W. of the N.W. Corner Bldg. #220 (West St.) Elev. = 120.44' City Datum

