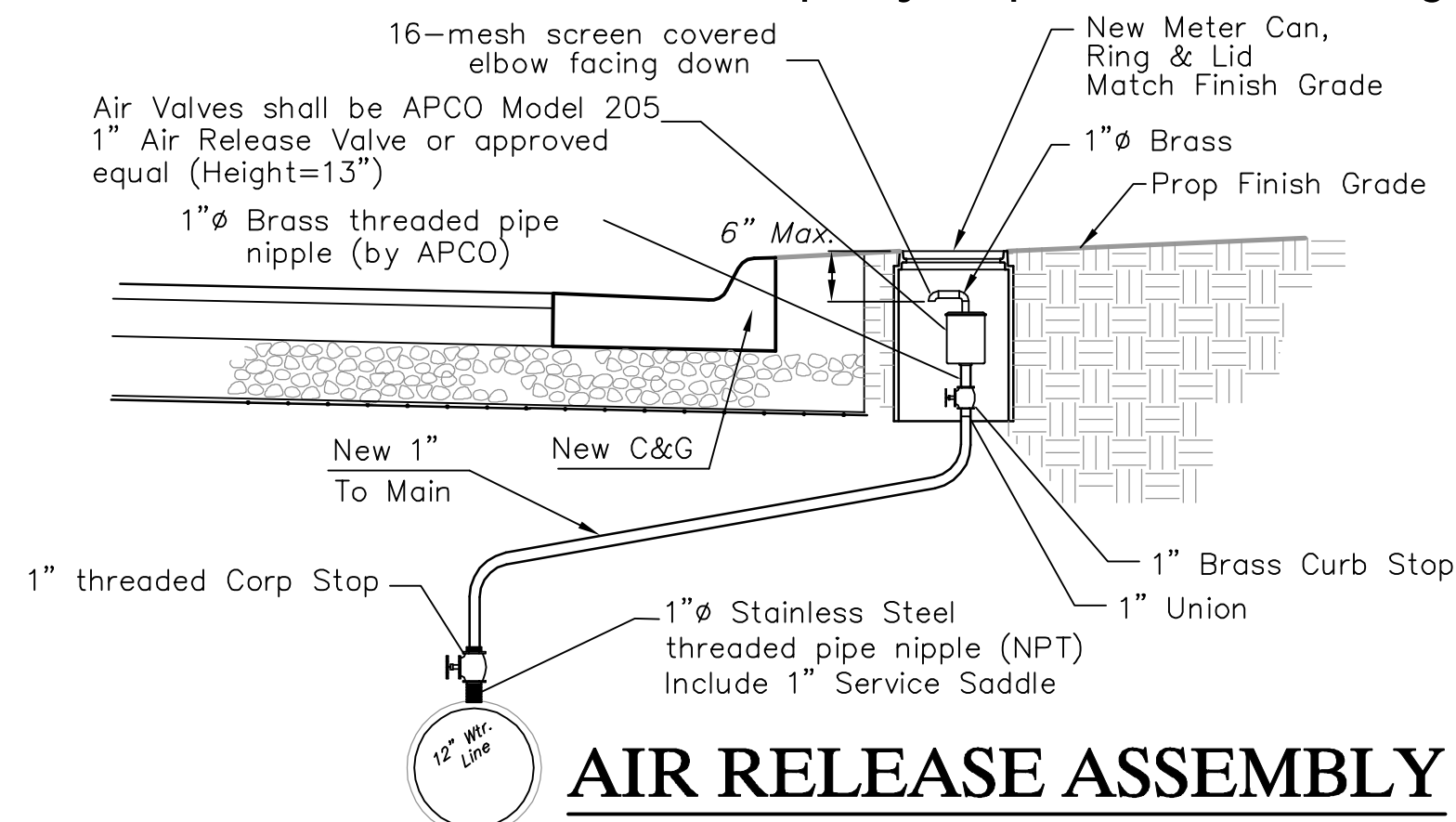


West Street Water Meter Adjustments Table						
Address	B.L. Sta.	Ex. Offset	New Offset	Status	Remarks	Meter No.
238 S. West	11+99.56	36.98 Rt	--	Aband	Remove	
233 S. West	13+17.44	39.04 Lt	--	Active	Short	
232 S. West	13+99.39	34.42 Rt	--	Aband	Remove	
232 1/2 S. West	14+02.94	34.86 Rt	--	Aband	Remove	
232 S. West	14+36.89	35.18 Rt	--	Active	Long	
225 S. West	14+79.60	34.28 Lt	--	Active	Short	
226 S. West	15+59.00	27.00 Rt	--	Active	Long	
224 S. West	15+60.46	30.30 Rt	--	Active	Long	
220 S. West	15+60.46	30.39 Rt	--	Active	Long	
209 S. West	16+20.82	30.03 Lt	--	Active	Short	
155 S. West	16+90.59	27.82 Lt	--	Active	Short	
160 S. West	17+56.86	31.26 Rt	--	Active	Long	
150 S. West	17+98.10	30.86 Rt	--	Active	Long	
140 S. West	18+47.86	32.13 Rt	--	Active	Long	
123 S. West	18+65.40	27.11 Lt	--	Active	Short	
125 S. West	18+65.40	27.11 Lt	--	Active	Short	
129 S. West	19+32.01	26.90 Lt	--	Aband	Remove	
133 S. West	19+32.01	26.90 Lt	--	Aband	Remove	
130 S. West	19+75.37	32.38 Rt	--	Active	Long	
119 S. West	20+74.08	43.02 Lt	--	Active	2" Set & Svc	
100 S. West	22+47.39	31.08 Rt	--	Aband	Remove	
105 N. West	24+67.11	27.41 Lt	--	Aband	Remove	
114 N. West	25+80.43	33.80 Rt	--	Active	Long	
3940 W. Douglas	26+22.90	41.21 Rt	--	Active	Long	
123 N. West	27+02.30	26.17 Lt	--	Active	Short	
122 N. West	27+52.92	33.90 Rt	--	Active	Long	
126 N. West	27+57.06	33.90 Rt	--	Active	Long	
141 N. West	27+82.93	26.16 Lt	--	Aband	Remove	
132 N. West	29+03.03	34.58 Rt	--	Active	Long	
137 N. West	29+28.33	26.13 Lt	--	Active	Short	
207 N. West	29+87.39	32.84 Lt	--	Active	Short	
201 N. West	30+45.29	25.77 Lt	--	Active	Short	
215 N. West	30+93.92	25.81 Lt	--	Active	Short	
219 N. West	31+69.28	28.89 Lt	--	Active	Short	
216 N. West	31+77.60	36.05 Rt	--	Active	Long	
212 N. West	31+85.50	28.75 Rt	--	Active	Long	
220 N. West	31+97.35	32.50 Rt	--	Active	Long	
224 N. West	31+97.35	32.50 Rt	--	Active	Long	
221 N. West	31+98.28	29.47 Lt	--	Active	Short	
225 N. West	32+99.81	25.56 Lt	--	Active	Short	
229 N. West	33+41.67	26.44 Lt	--	Active	Short	
231 N. West	34+19.76	27.50 Lt	--	Active	Short	
303 N. West	37+12.94	27.22 Lt	--	Active	Short	
311 N. West	38+02.65	25.79 Lt	--	Active	Short	
308 N. West	38+65.03	36.15 Rt	--	Active	Long	

Second Street Water Meter Adjustments Table						
Address	2nd B.L. Sta.	Ex. Offset	New Offset	Status	Remarks	Meter No.
248 N. West	31+60.56	33.36 Rt	--	Active	2" Set & Svc	
302 N. West	31+66.32	17.04 Lt	--	Active	Long	

All Water Services to be Completely Replaced with 1" or greater.



West Street Water Meter Adjustments Table						
Address	B.L. Sta.	Ex. Offset	New Offset	Status	Remarks	Meter No.
333 N. West	39+72.32	30.67 Lt	--	Active	Short Lawn	
333 N. West	39+69.39	28.33 Lt	--	Aband	Remove	
312 N. West	39+72.71	27.05 Rt	--	Active	Long	
314 N. West	40+67.05	26.29 Rt	--	Active	Long	
339 N. West	41+01.02	26.11 Lt	--	Active	Short	
320 N. West	42+46.13	26.29 Rt	--	Aband	Remove	
341 N. West	42+58.85	26.10 Lt	--	Active	Short	
401 N. West	43+39.41	30.98 Lt	--	Aband	Remove	
400 N. West	43+84.33	26.36 Rt	--	Active	Long	
405 N. West	44+14.88	30.87 Lt	--	Active	Short	
410 N. West	44+17.46	27.09 Rt	--	Active	Long	
435 N. West	44+83.57	27.56 Lt	--	Active	Short	
438 N. West	45+96.56	25.95 Rt	--	Active	Long	
425 N. West	47+23.65	26.11 Lt	--	Active	Short Lawn	
446 N. West	47+43.66	27.00 Rt	--	Active	Long	
425 N. West	47+62.30	32.26 Lt	--	Active	Short	
449 N. West	48+37.58	26.55 Lt	--	Aband	Remove	
445 N. West	49+28.53	27.40 Lt	--	Active	Short	
503 N. West	50+49.83	26.56 Lt	--	Active	Short	
505 N. West	51+64.57	26.43 Lt	--	Aband	Remove	
507 N. West	52+19.60	30.19 Lt	--	Active	Short	
509 N. West	52+34.01	26.79 Lt	--	Active	Short	
511 N. West	52+34.01	26.79 Lt	--	Active	Short	
519 N. West	53+50.82	26.54 Lt	--	Active	Short	
540 N. West	54+19.31	32.05 Rt	--	Active	Long	
527 N. West	55+02.33	34.65 Lt	--	Aband	Remove	
550 N. West	55+22.33	32.17 Rt	--	Active	Long Lawn	
550 N. West	55+29.22	34.12 Rt	--	Active	Long	
602 N. West	56+93.85	38.83 Rt	--	Active	Long	
608 N. West	58+04.53	42.47 Rt	--	Active	Long	
601-401 N. West	59+15.48	48.64 Lt	--	Active	Short	
601-501 N. West	60+18.29	48.27 Lt	--	Active	Short	
608 N. West	60+19.45	58.18 Rt	--	Active	Long	
702 N. West	63+82.98	44.68 Rt	--	Active	Long	
703 N. West	64+76.35	39.24 Lt	--	Active	Short	
705 N. West	64+82.76	39.54 Lt	--	Active	Short	
715 N. West	65+74.15	37.96 Lt	--	Active	Short	

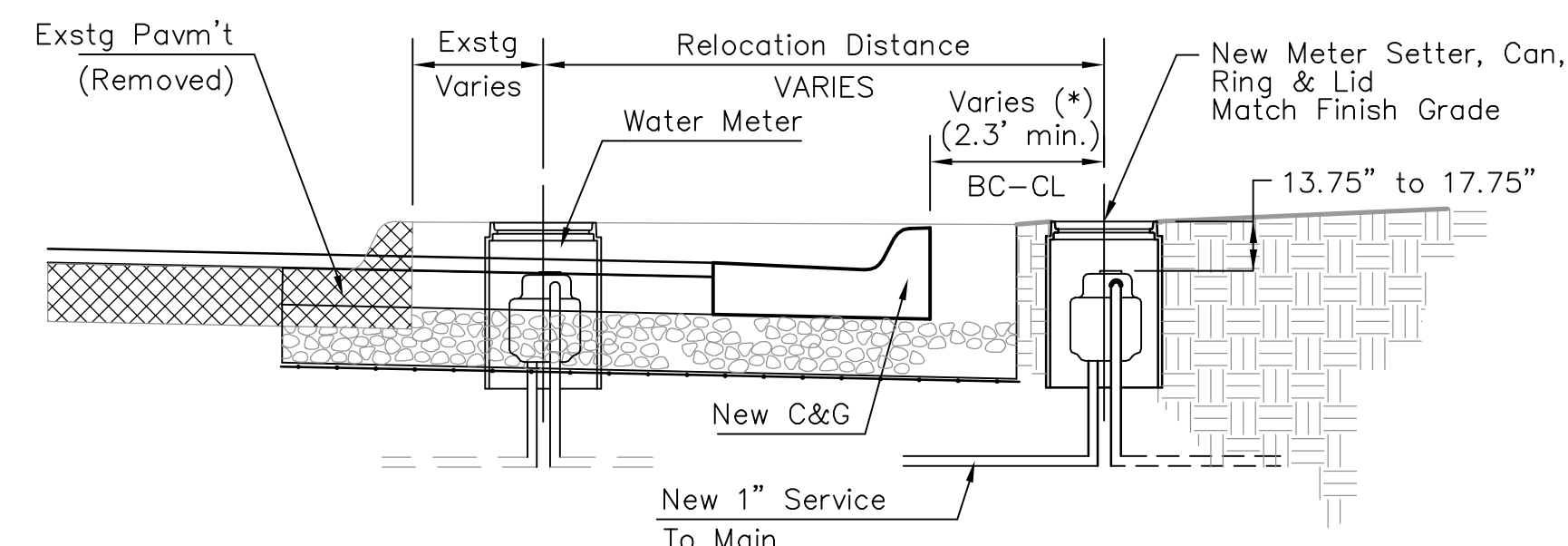
Central Street Water Meter Adjustments Table						
Address	Central B.L. Sta.	Ex. Offset	New Offset	Status	Remarks	Meter No.
4110 W. Central	54+32.92	40.79 Lt	--	Active	Short	
4040 W. Central	56+65.80	40.71 Lt	--	Active	Short	
4004 W. Central	58+28.56	43.33 Lt	--	Active	Short	
4002 W. Central	58+30.81	43.48 Lt	--	Active	Short	
701 N. West	58+85.74	38.20 Lt	--	Active	Short Lawn	
601-523 N. West	58+71.20	46.57 Rt	--	Active	Long	

Maple Street Water Meter Adjustments Table						
Address	Maple B.L. Sta.	Ex. Offset	New Offset	Status	Remarks	Meter No.
4005 W. Maple	8+99.29	53.92 Rt	--	Aband	Remove	
259 S. West	8+83.42	57.27 Lt	--	Active	Short	

(\* Relocation of all water meters in conflict with construction of this project will be accomplished in conjunction with construction. Location of meter(s) will be typically set at least 2.3' from the back of new curbline to the centerline of meter box unless otherwise as directed by the Field Engineer.

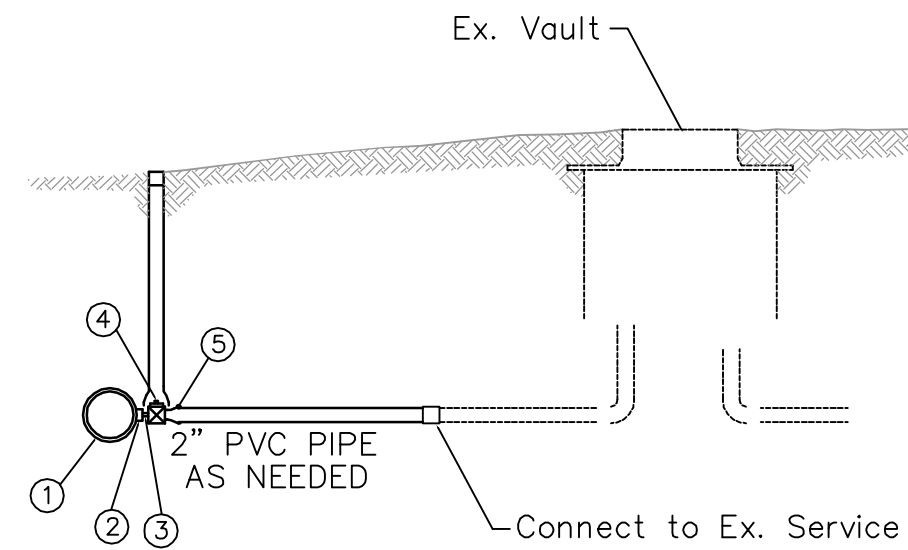
The top of the meter box to be field set typically to match finish grade elevations unless otherwise as directed by the Field Engineer.

Replace meter setter, can, ring & lid. Existing 3/4" Copper Setter may be reinstalled upon Engineer's Approval or replaced with 1" Copper Setter. All work and materials required is to be INCIDENTAL to the quantity item "Relocate & Re-install Water Service (EA.)"



TYPICAL WATER METER INSTAL DETAIL

Douglas Ave. Water Meter Adjustments Table						
Address	Douglas B.L. Sta.	Ex. Offset	New Offset	Status	Remarks	Meter No.
105 S. West	18+42.42	26.17 Rt	--	Aband	Remove	
4000 W. Douglas	19+00.51	19.70 Lt	--	Aband	Remove	
100 N. West	21+47.25	31.06 Lt	--	Aband	Remove	
100 N. West	21+49.39	31.09 Lt	--	Aband	Remove	



- MATERIALS LIST:**
- EXISTING WATER MAIN, PIPE DIAMETER="D"
  - "D" x 2" BRASS SADDLE
  - 2" x 3" BRASS NIPPLE
  - 2" CURBSTOP AY MCDONALD, FORD B11-777, MUELLER 300 B20283 (WITH STANDARD VALVE BOX)
  - 2" F PVC TO MIPT ADAPTER FORD C87-77

**2" SERVICE OUTLET ASSY**

NOTE: Removal of Abandoned Meter Boxes shall not be paid for directly, but shall be included in the lump sum bid item "Site Clearing".

Water System Quantities (For Information Only)		
Bill of Materials	Quantity	Unit
W.L. Pipe 2 in	207	ft
WL Pipe 8 in	973	ft
WL Pipe 12 in	6055	ft
DICL SJ Pipe 4 in	3	ft
DICL SJ Pipe 6 in	3	ft
DICL SJ Pipe 8 in	67	ft
DICL SJ Pipe 12 in	79	ft
Anchor Valve Assembly 4" (Gate Valve)	1	EA.
Anchor Valve Assembly 6" (Gate Valve)	1	EA.
Anchor Valve Assembly 8" (Gate Valve)	8	EA.
Valve Assembly 12" (Butterfly Valve)	6	EA.
Anchor Valve Assembly 12" (Butterfly Valve)	4	EA.
Service Outlet Assembly 2 in	2	EA.
Custom Set & Service 2 in	2	EA.
Air Release Assembly (1")	2	EA.
Fire Hydrant Assembly	8	EA.
Fire Hydrant Removal	10	EA.
Blowoff Assembly 2"	6	EA.
Tapping Valve Assy 12 in ( By City of Wichita Wtr. Dept.)	4	EA.
Tapping Valve Assy 8 in ( By City of Wichita Wtr. Dept.)	1	EA.
Tapping Sleeve (24" x 12")( By City of Wichita Wtr Dept.)	2	EA.
Tapping Sleeve (12" x 12")( By City of Wichita Wtr Dept.)	2	EA.
Tapping Sleeve (24" x 8")( By City of Wichita Wtr Dept.)	1	EA.
Relocate & Re-install Water Service (Short)	42	EA.
Relocate & Re-install Water Service (Long)	34	EA.
Water Meter Boxes Removed	18	EA.

- MATERIALS LIST:**
- EXISTING WATER MAIN, PIPE DIAMETER="D"
  - "D" x 2" BRASS SADDLE
  - 2" x 3" BRASS NIPPLE
  - 2" CURBSTOP AY MCDONALD, FORD B11-777, MUELLER 300 B20283 (WITH STANDARD VALVE BOX)
  - 2" F PVC TO MIPT ADAPTER FORD C87-77
  - 2" CUSTOM SETTER W/BYPASS FORD VV7724B1177
  - 30" WHITE PVC METER BOX - 24" HIGH, SMOOTH INSIDE, RIBBED OUTSIDE, NO NOTCHES
  - 30" x 20" MONITOR COVER WITH 20" LID WITHOUT LOCK FORD MC30LL

**2" CUSTOM SET & SERVICE**

Drawing File: E:\West Street Paving New\Wtr\Wmtables.dwg

Design: TCA  
 Drawn: TCA  
 Approved: JFB  
 Scale: NOTED

Project No. 0404E859 CAPITAL IMPROVEMENT PROJECT  
 WATER LINE IMPROVEMENTS  
 WATER SYSTEM TABLE  
 WEST STREET IMPROVEMENT

**Baughman Company, P.A.**  
 315 Ellis St. Wichita, KS 67211 P 316-262-7271 F 316-262-0149  
 ENGINEERING | SURVEYING | PLANNING | LANDSCAPE ARCHITECTURE

NOVEMBER, 2008

SHEET 18 OF 18