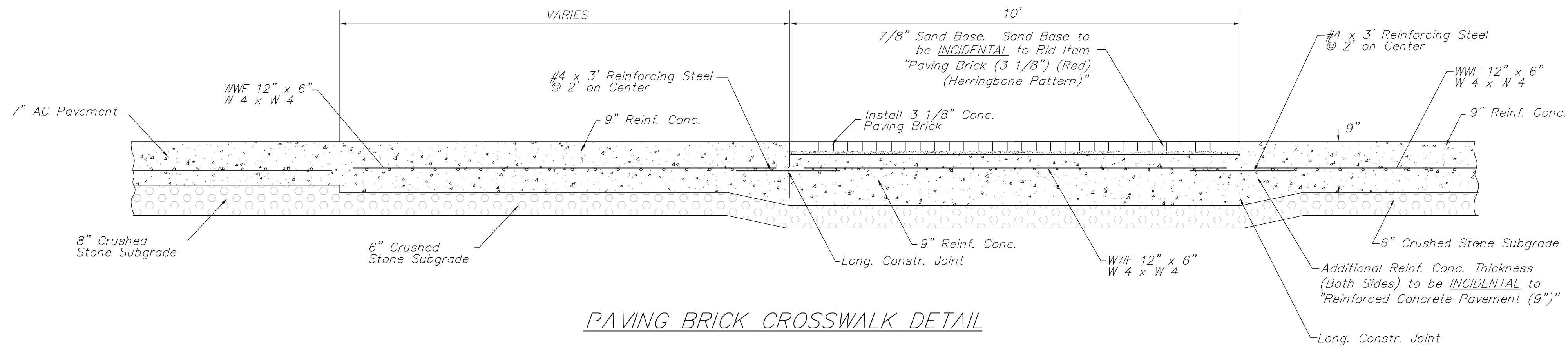
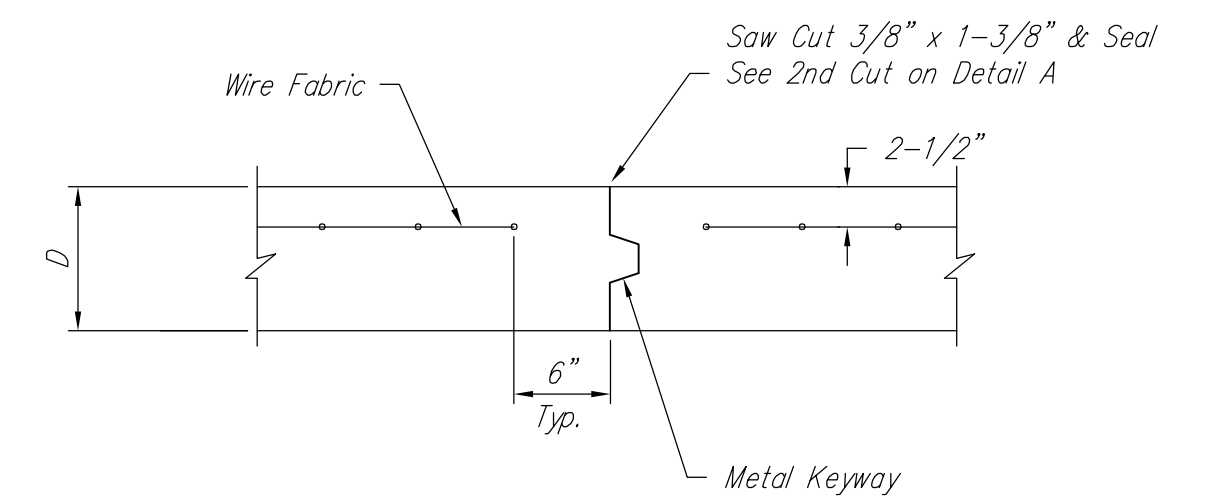


FHWA REGION NO.	STATE	PROJECT NO.	FISCAL YEAR	SHEET NO.	TOTAL SHEETS
7	KANSAS	87N-0459-01	2008	8	32

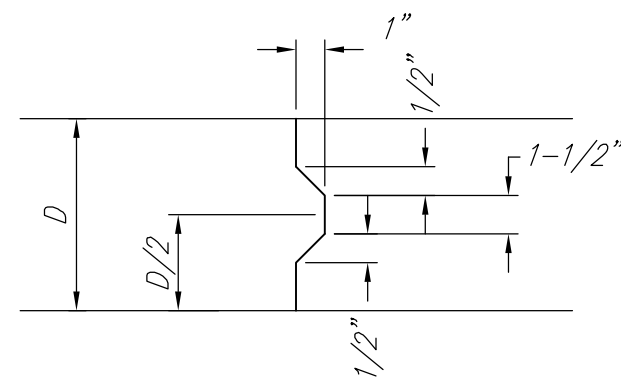
Fed. Aid # HSIP-N045(901)



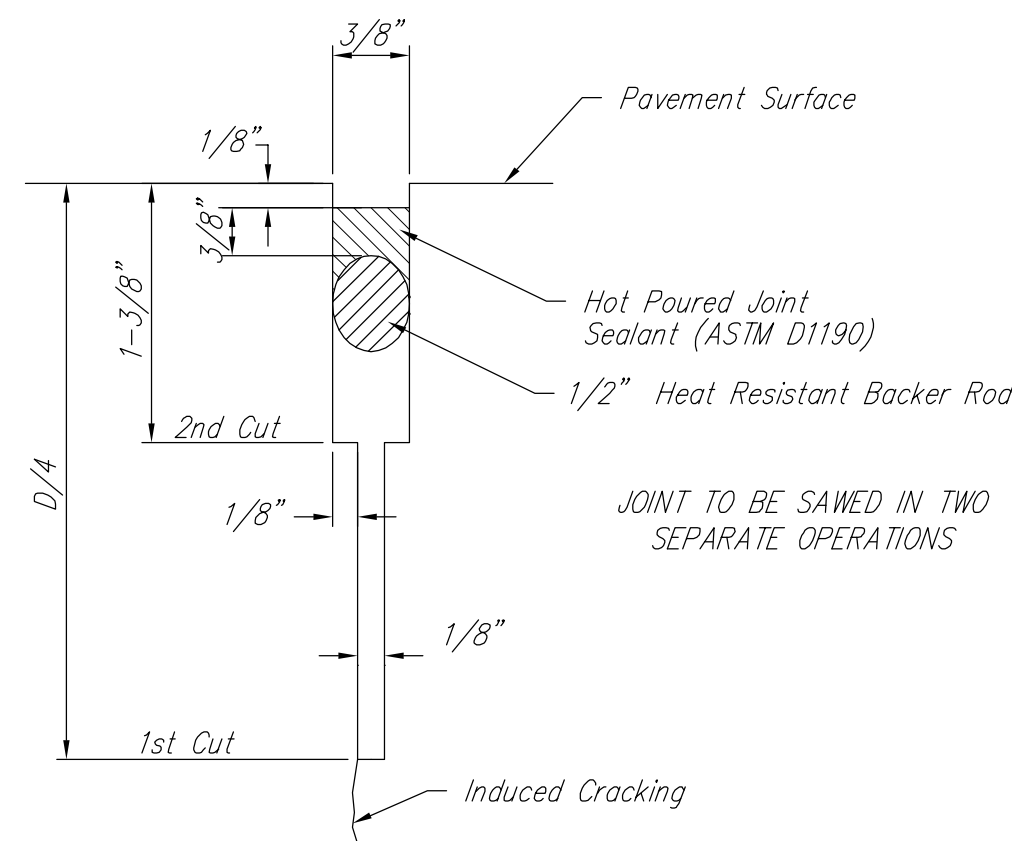
**PAVING BRICK CROSSWALK DETAIL**



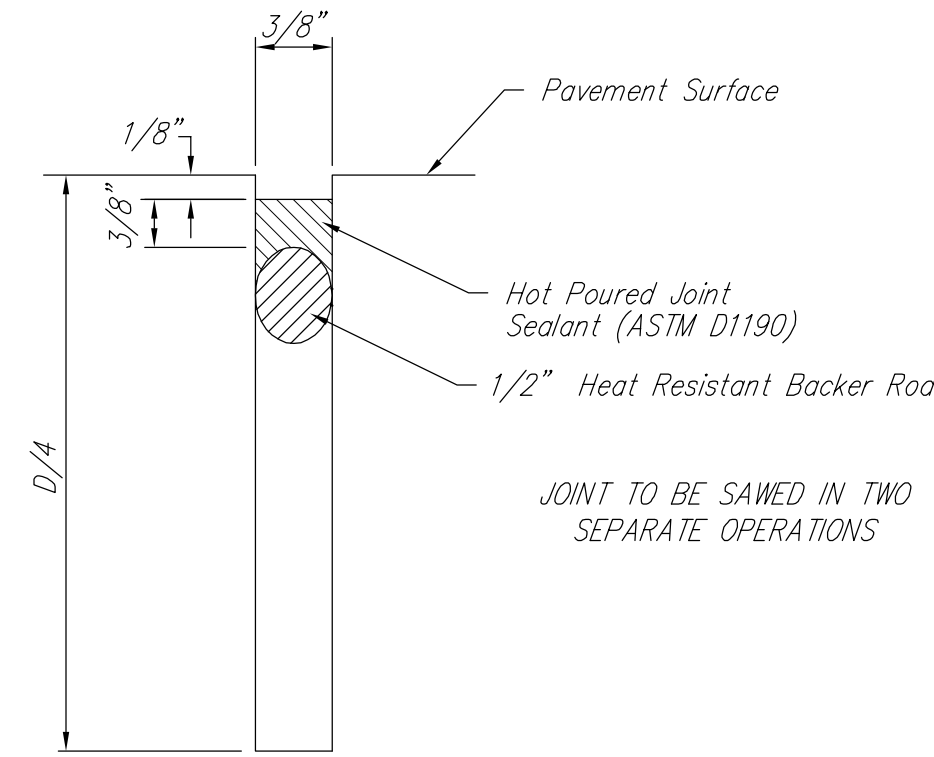
**OPTIONAL CONTRACTION JOINT (CONSTRUCTION JOINT)**



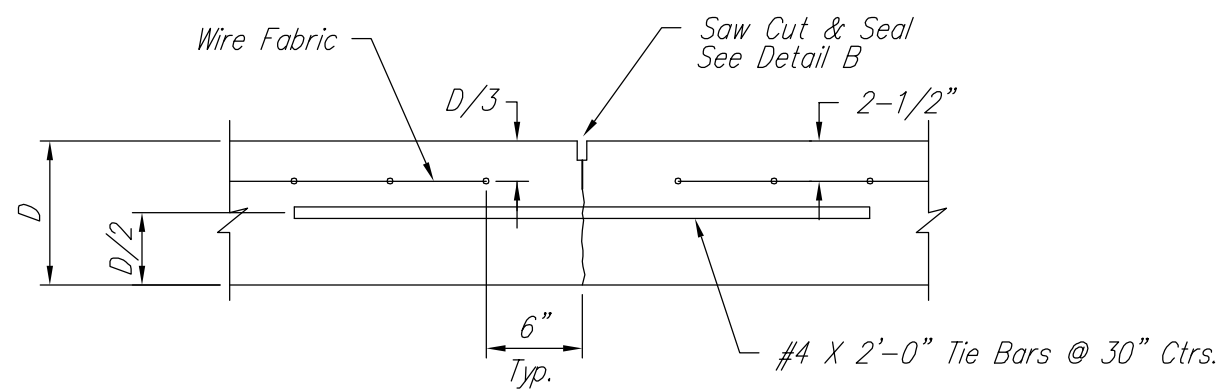
**KEYWAY DETAIL**



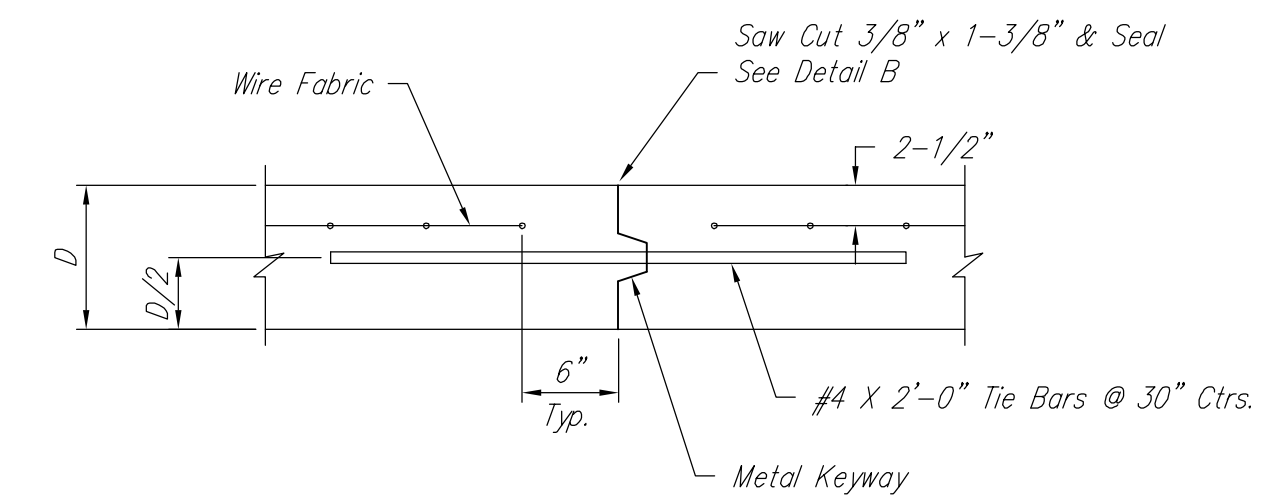
**SAW JOINT DETAIL "A"**



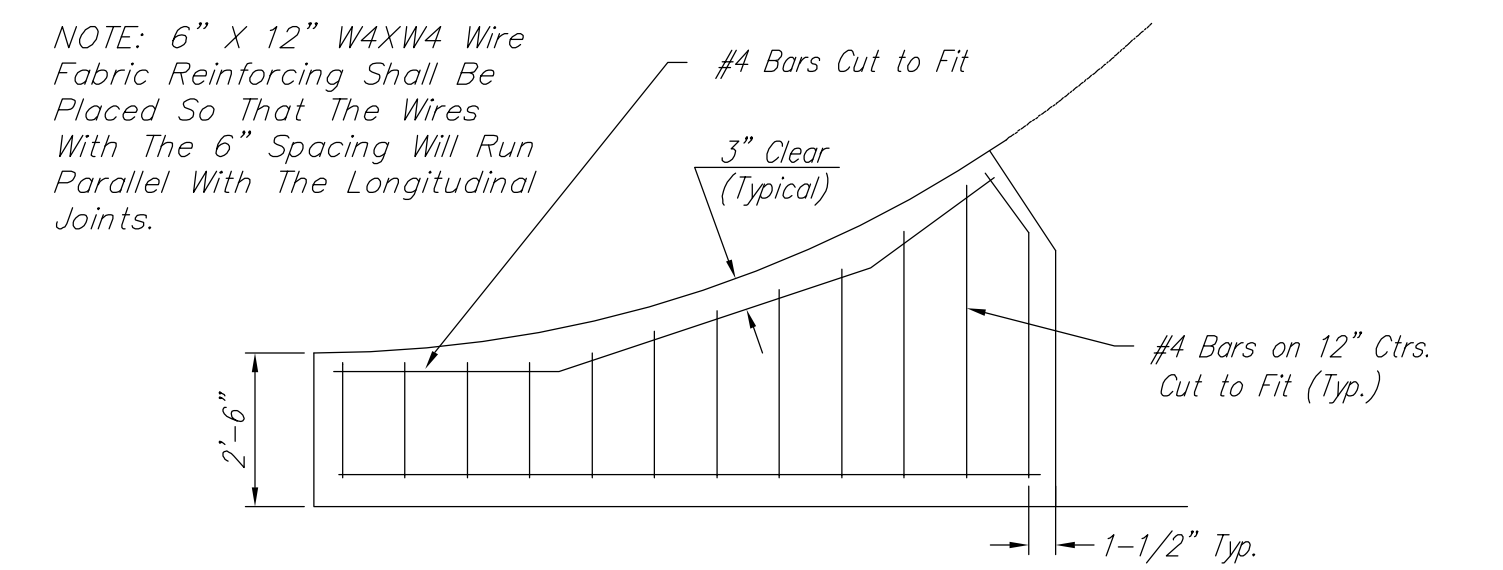
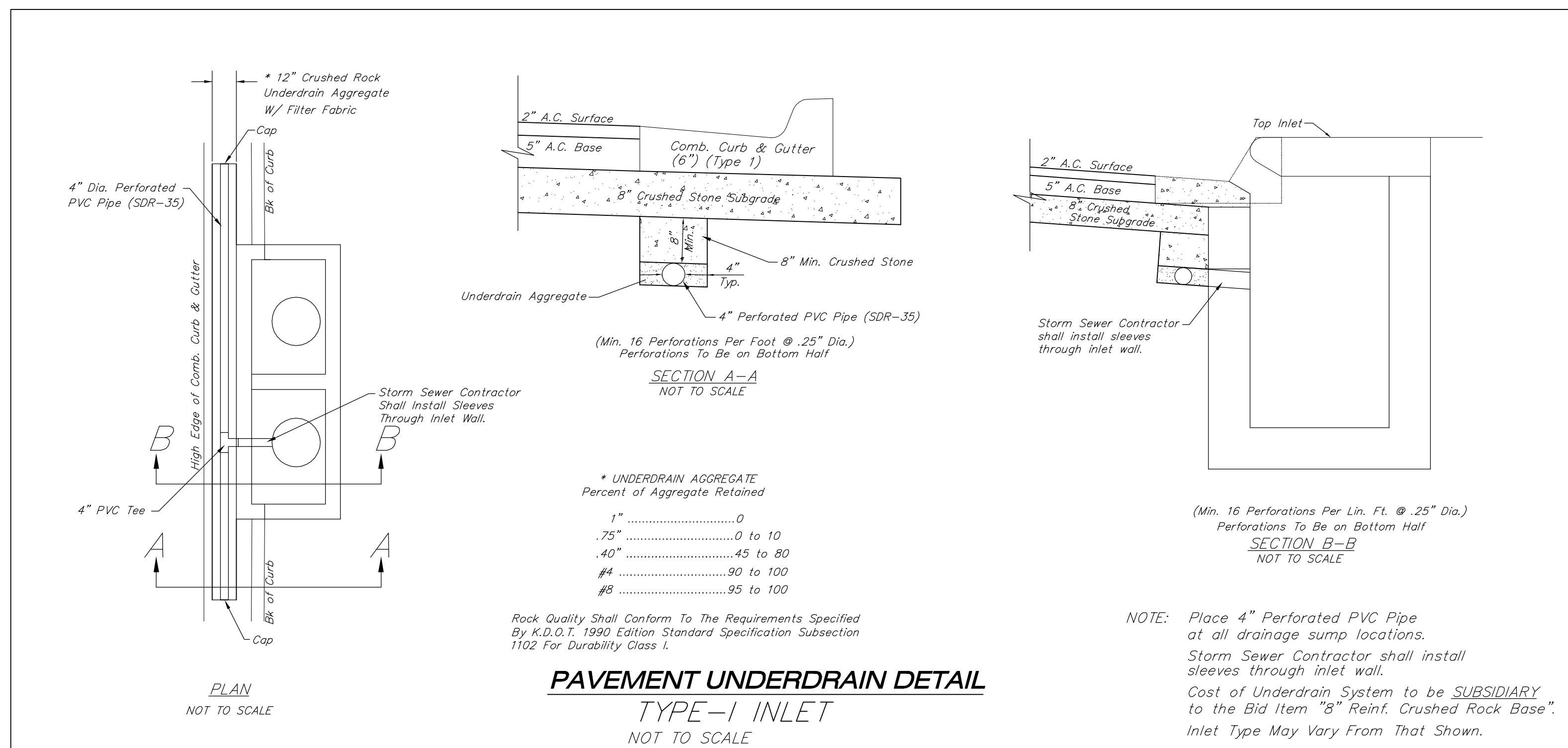
**SAW JOINT DETAIL "B"**



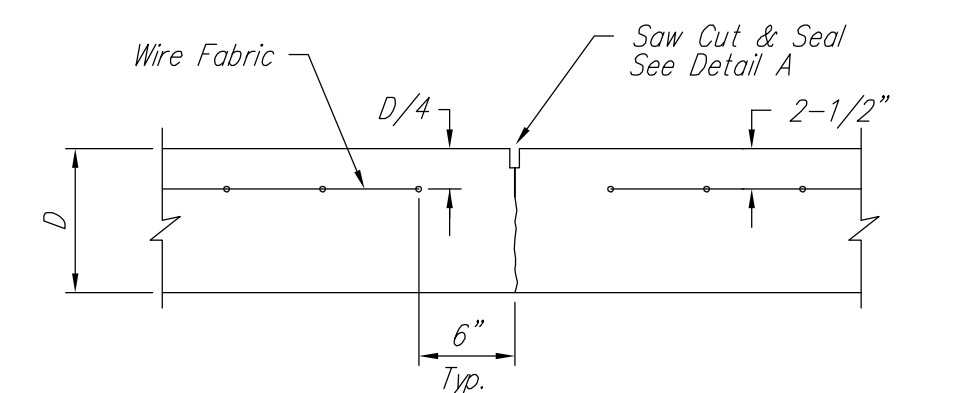
**LONGITUDINAL JOINT DETAIL (L.J.)**



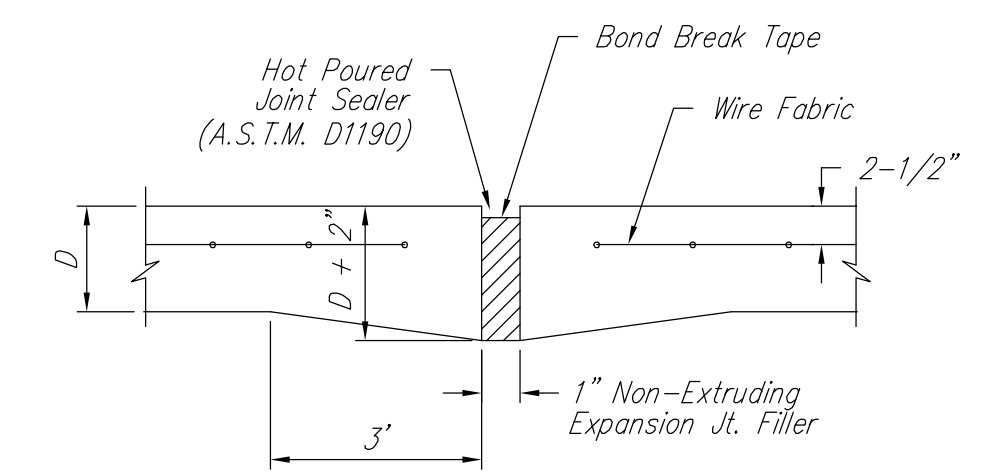
**OPTIONAL LONGITUDINAL JOINT DETAIL (L.J.) (CONSTRUCTION JOINT)**



**WING REINFORCING DETAIL**



**CONTRACTION JOINT DETAIL (C.J.)**



**EXPANSION JOINT**

**NOTE:** Extra Thickness to be Subsidiary to Price of Square Yards Pavement