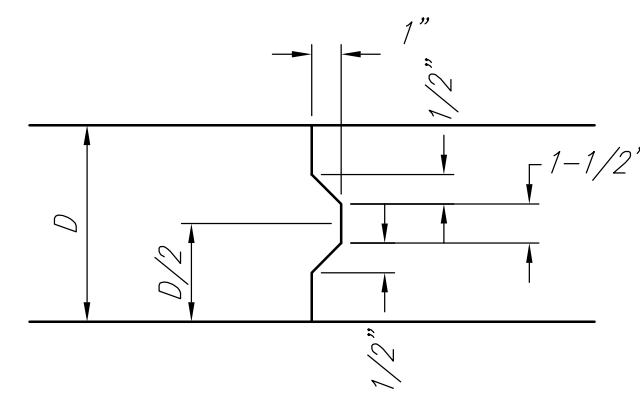
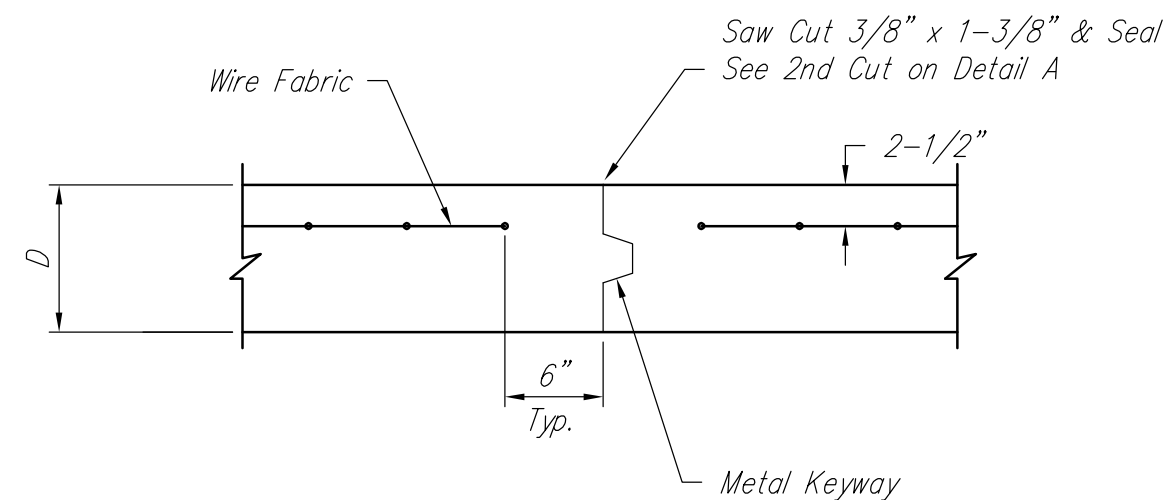


EXPANSION JOINT

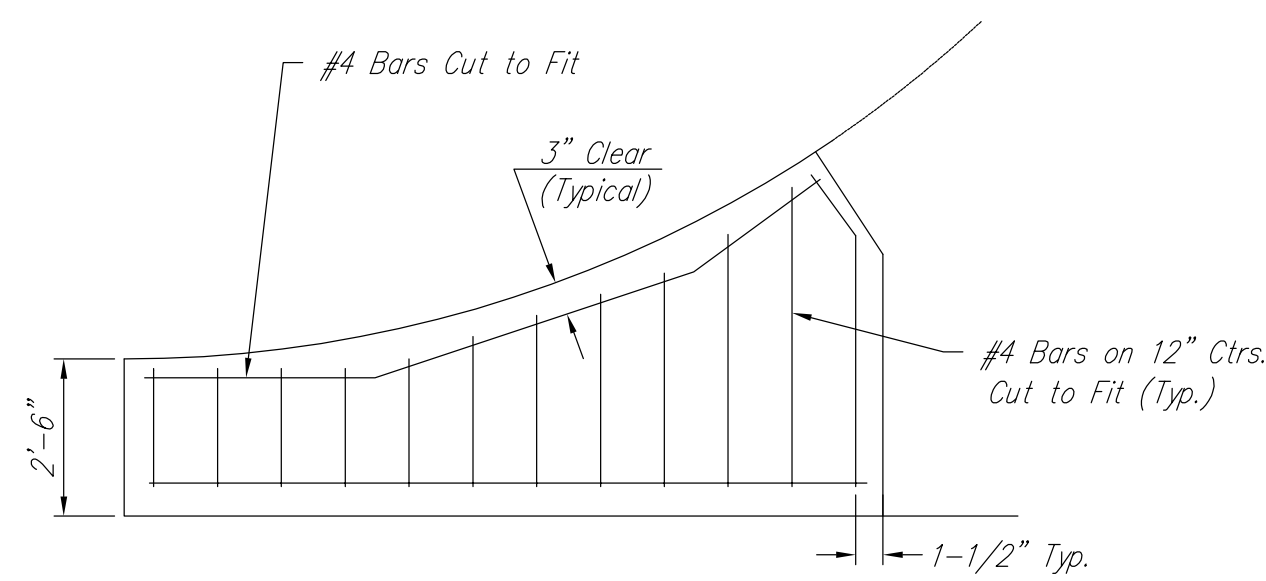
NOTE: Extra Thickness to be Subsidiary to Price of Square Yards Pavement



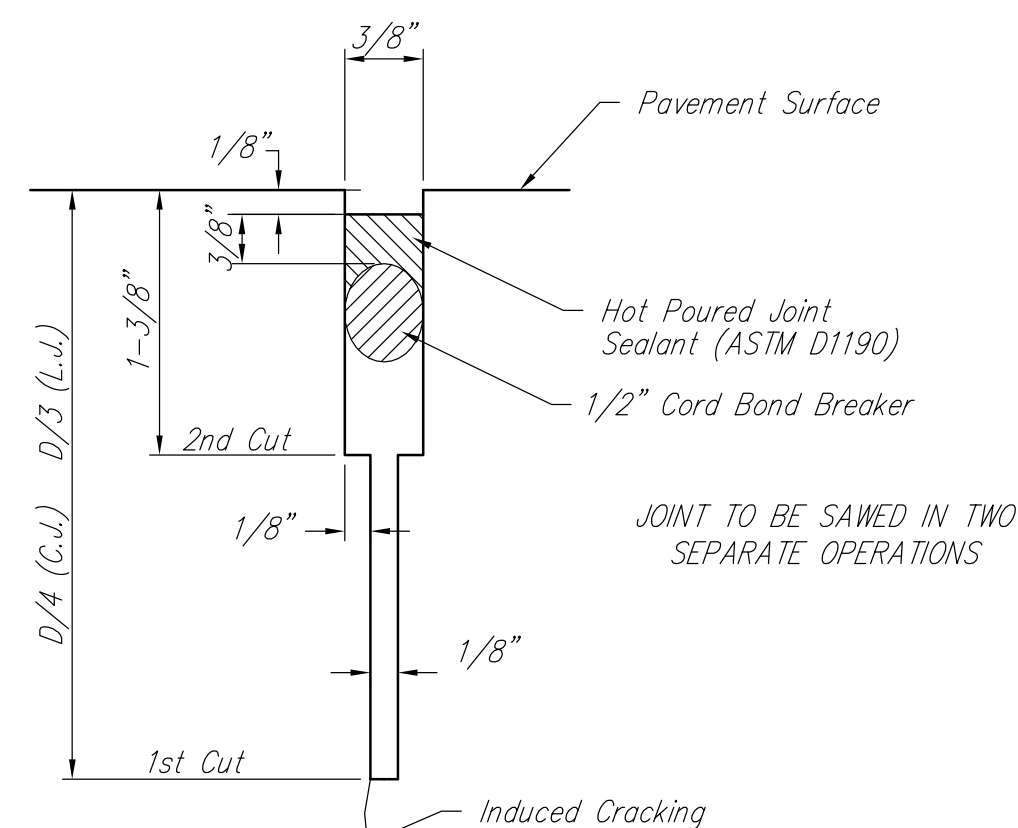
KEYWAY DETAIL



OPTIONAL CONTRACTION JOINT

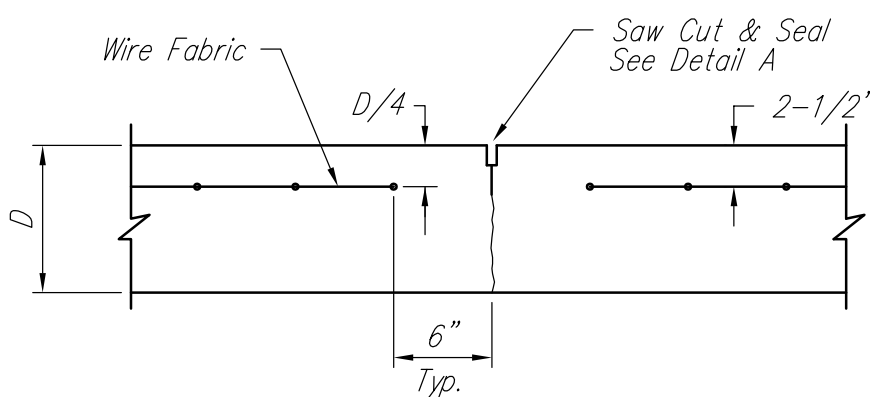


WING REINFORCING DETAIL

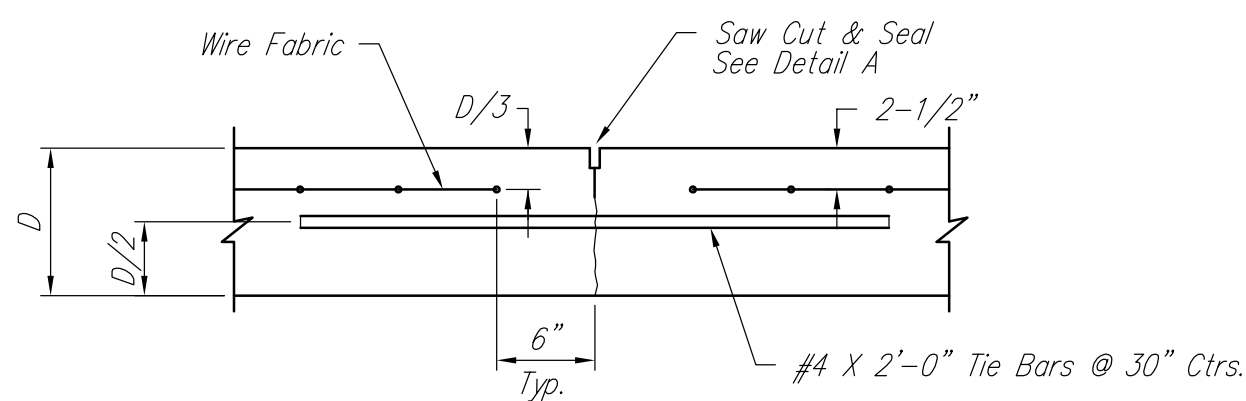


SAW JOINT DETAIL

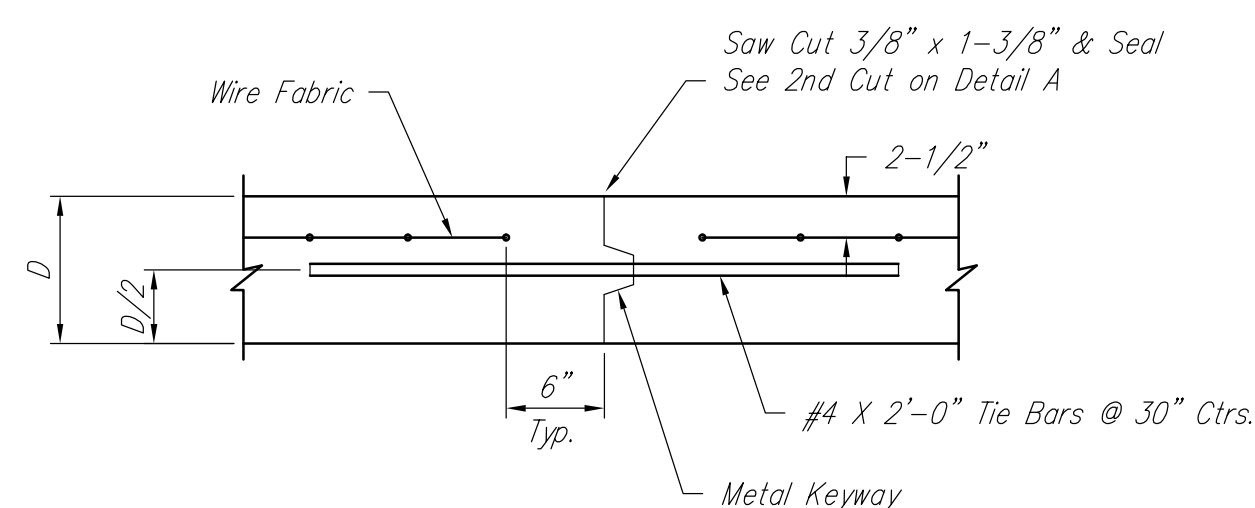
JOINT TO BE SAWED IN TWO SEPARATE OPERATIONS



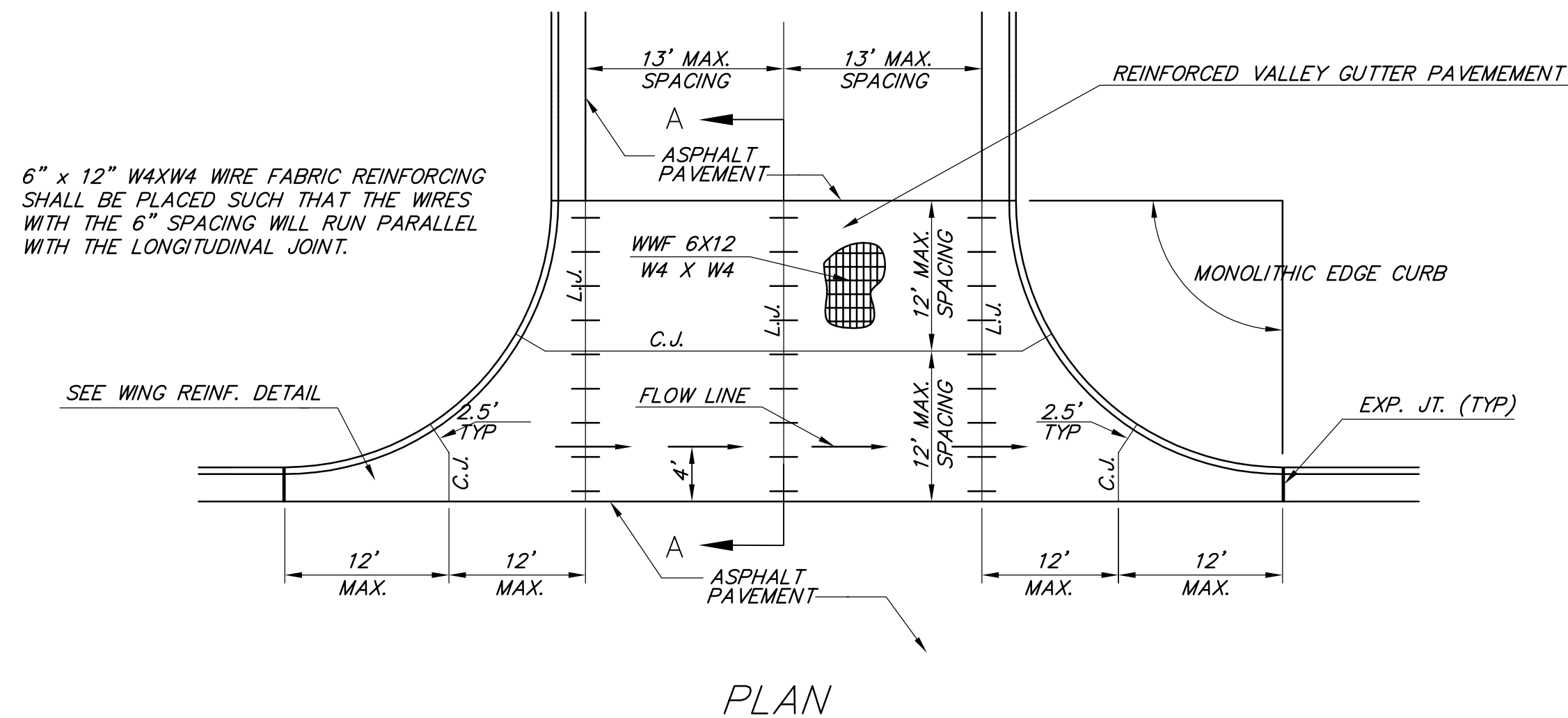
CONTRACTION JOINT DETAIL (C.J.)



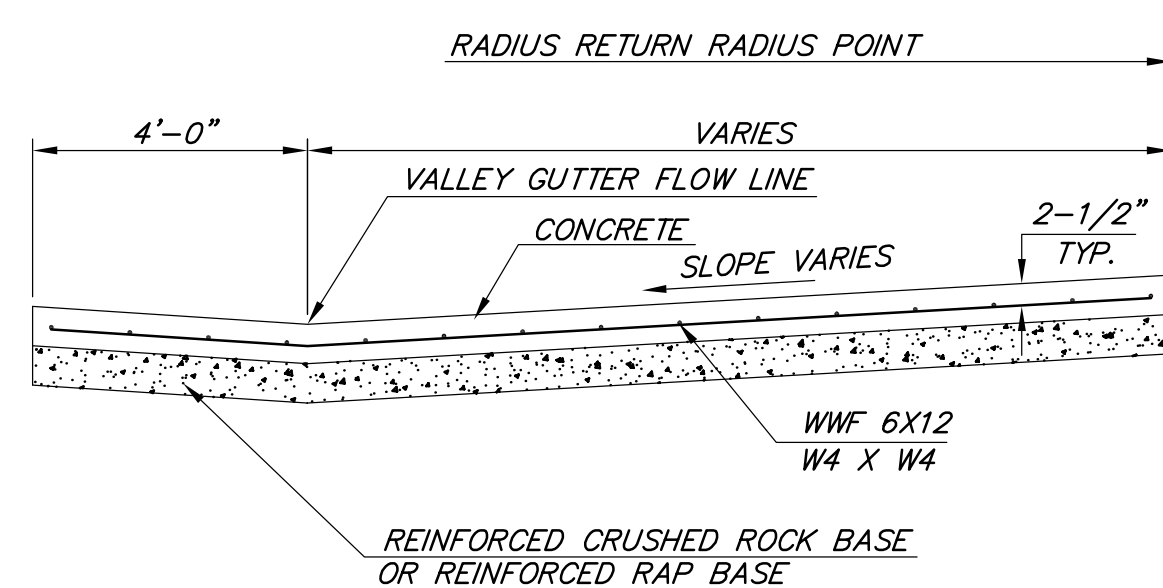
LONGITUDINAL JOINT DETAIL (L.J.)



OPTIONAL LONGITUDINAL JOINT DETAIL (L.J.)



PLAN



SECTION A-A

REINFORCED VALLEY GUTTER DETAIL

THE CITY OF WICHITA

CITY ENGINEER'S OFFICE
CITY HALL - SEVENTH FLOOR
455 NORTH MAIN STREET
WICHITA, KANSAS 67202
(316) 268-4501
(316) 268-4114 FAX

VALLEY GUTTER DETAILS

PROJECT NUMBER 472-84764	OCA # 766230
DATE MAR 96	SHEET 5 OF 35