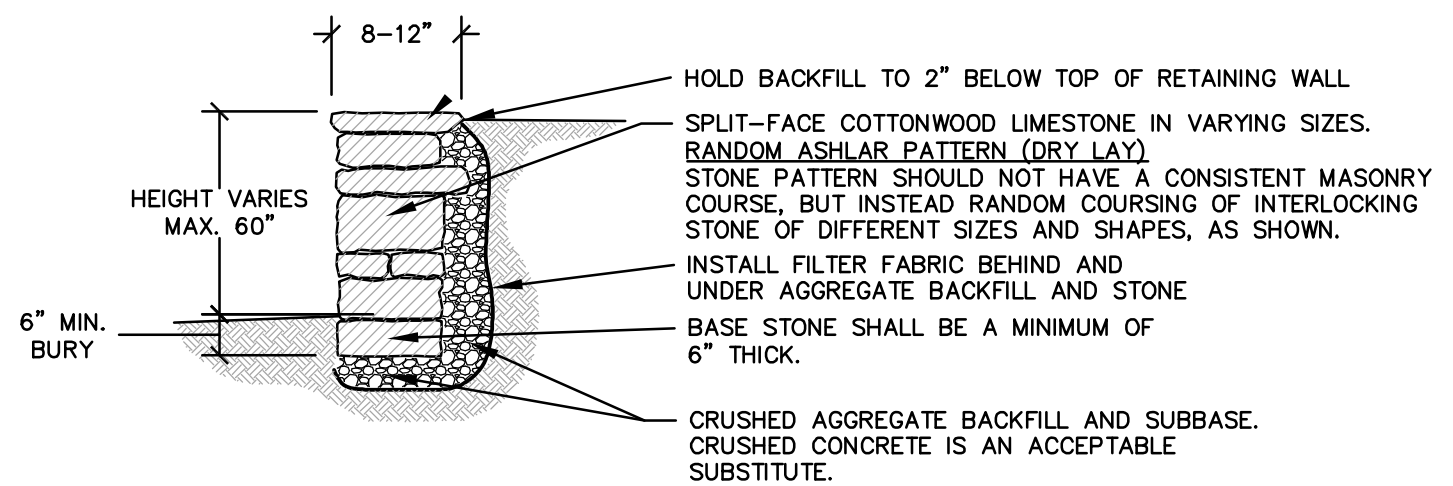
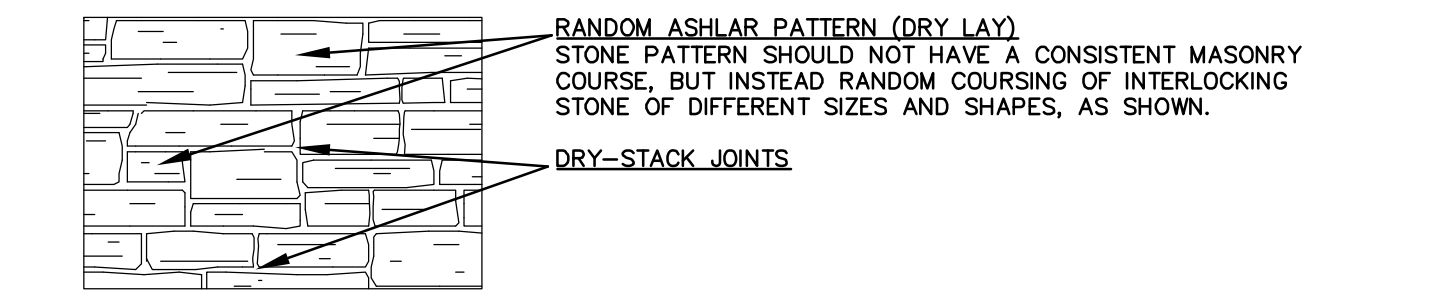


LAYOUT PLAN
Scale 1" = 20'-0"

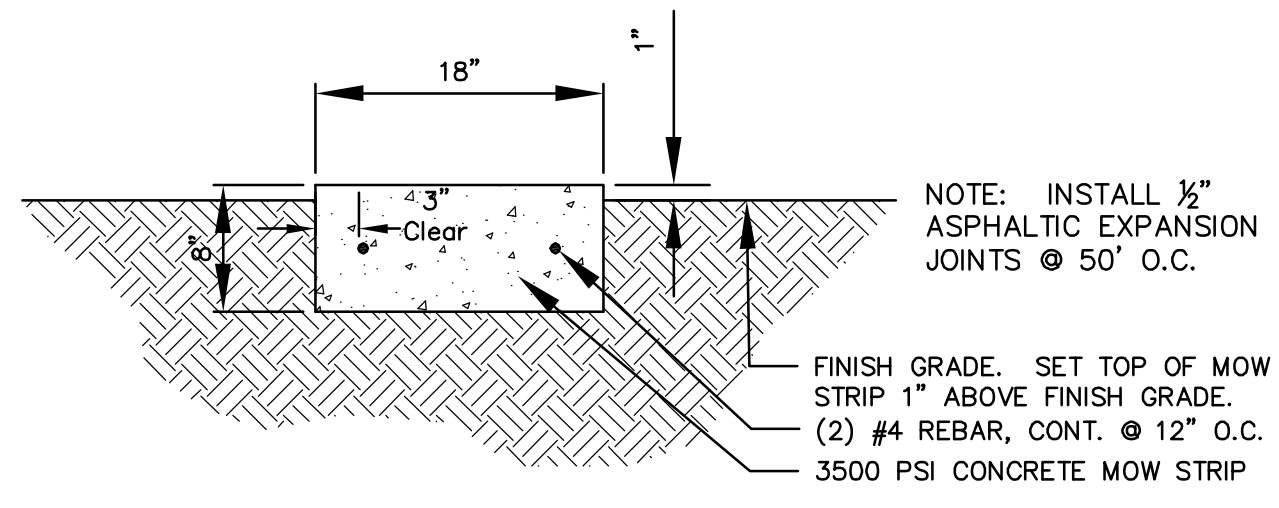


STONE: SPLIT-FACE COTTONWOOD LIMESTONE
PATTERN: RANDOM ASHLAR

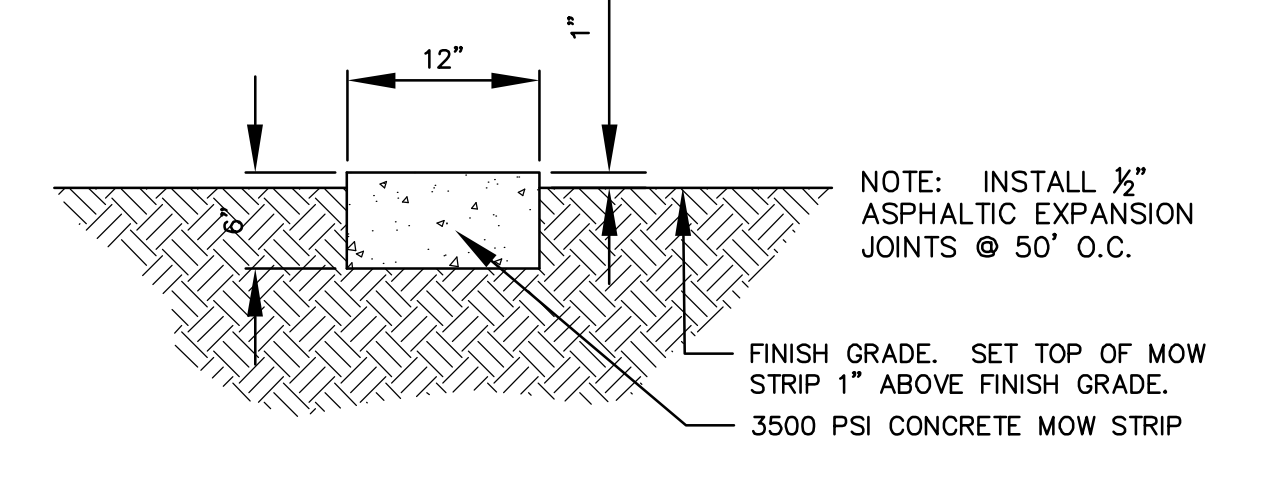
SIZE: MIN. 6" IN HORIZONTAL DIMENSION
8-12" DEEP
6" THICK
MAX. 24" IN HORIZONTAL DIMENSION
8-12" DEEP
18" THICK



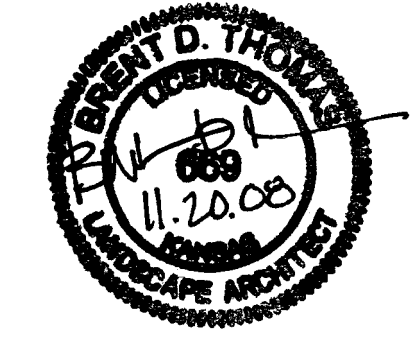
1 LIMESTONE RETAINING WALL
NOT TO SCALE



2 REINFORCED CONCRETE MOW STRIP
SCALE 1" = 1'-0"



3 UNREINFORCED CONCRETE MOW STRIP
SCALE 1" = 1'-0"



21st STREET STREETSCAPE- I-135 TO GROVE GATEWAY LAYOUT PLAN
WICHITA, KANSAS

Ruggles & Bohm, P.A.
Engineering, Surveying, Land Planning

924 North Main
Wichita, Kansas 67203
www.rbkansas.com

(316) 264-8008
(316) 264-4621 fax
E-mail: info@rbkansas.com

DESIGN	BDT	SHEET 5 OF 16	
DRAWN	BDT		
REVIEW			
UTILITY			
DRAWING FILE	ENG BASE {LAYOUT}	DATE	October 2008
PROJECT NUMBER	472-84728		