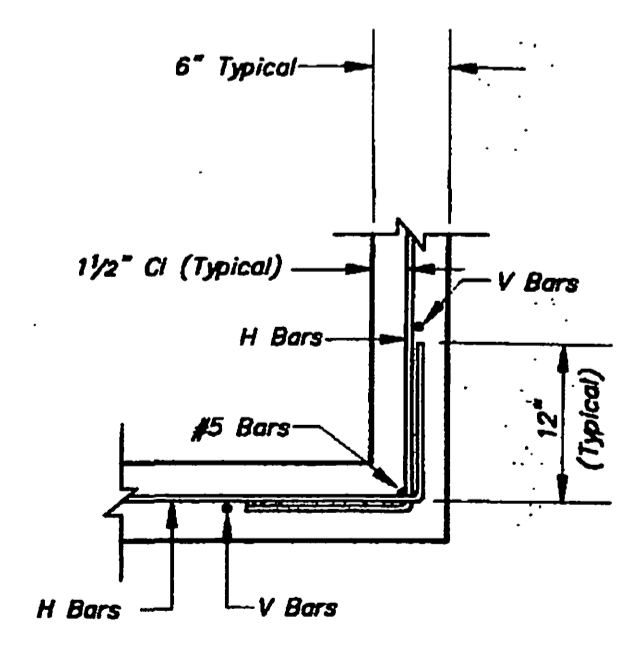
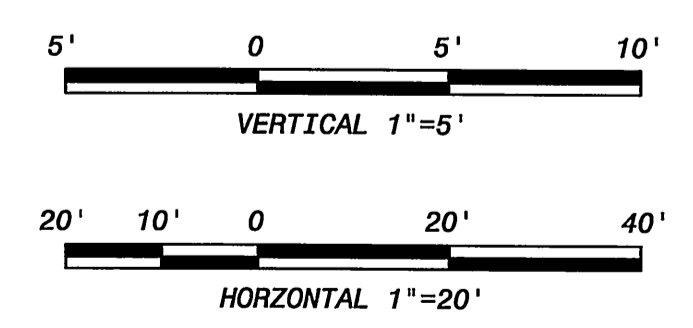


- GENERAL NOTES:**
1. Locate ring and cover over outlet.
 2. All work and materials shall conform to APWA Sect. 2600.
 3. Use 3/8" chamfer strip on all exposed concrete corners.
 4. Steps required at 16" O.C. when depth from top of casting to invert exceeds 4'.
 5. Boxouts will not be allowed to project through the corners of the structure.
 6. The minimum reinforcing shall be 1 H-bar over a cast-in place pipe and 2 H-bars over a precast boxout.
 7. Limit opening height to 6" with No. 5 galvanized bars extending to corner rebars.
 8. Show field inlet orientation on plans plus number and site of openings.
 9. O.R. = outside pipe radius
 10. Ring & Cover to be Menck R-1537, Clay & Bailey #2020, Deeter #2016, or approved equal. (Casting may vary by municipality, refer to plans & contract documents.)
 11. 4" # field tile or precast hole shall be located at entering pipe and in the front face sump points. These tiles or openings shall be capped with 1/4" galvanized wire mesh on the outside of the inlet and clear the invert and base concrete.

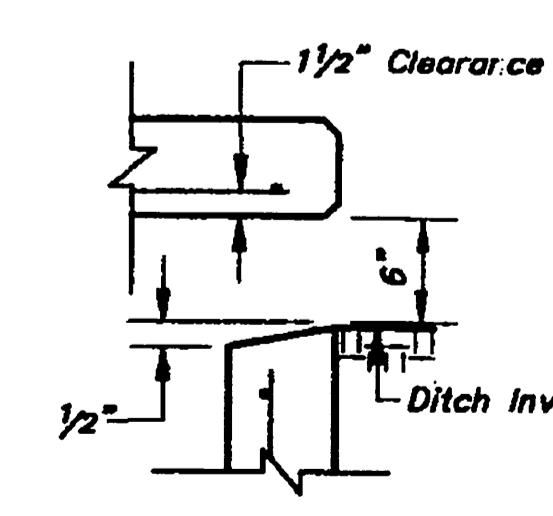
FIELD INLET DETAIL
NO SCALE APWA

LEGEND

--- EXISTING GRADE
— FINISHED GRADE



CORNER DETAIL

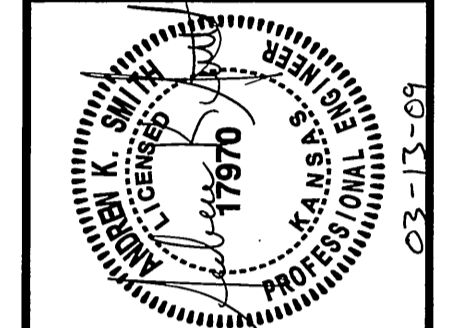


SECTION B-B

REINFORCING

BARS	BAR SIZE	SPACING (IN.)
H	4	12
V	4	12
L	5	6
W	5	6

DATE	DESCRIPTION	NO.	BY	CHK	APP
03/13/09	FINAL - CONSTRUCTION SET	4	DEC		
2/13/08	100% SUBMITTAL	3	DEC		
11/21/07	80% SUBMITTAL - FOR REVIEW ONLY	2	DEC		
8/31/07	70% SUBMITTAL - FOR REVIEW ONLY	1	DEC		
	REVISIONS AND RECORD OF ISSUE				



BLACK & VEATCH
Building a world of difference
Black & Veatch Corporation
Kansas City, Missouri

DRY CREEK CHANNEL IMPROVEMENTS
WICHITA, KANSAS
LINCOLN TO ORIE
CROSS SECTIONS
6+50 - 8+00

DESIGNED: HMW
DETAILED: DEC
CHECKED: AKS
APPROVED:
DATE: 13 MAR 2009

IF THIS BAR DOES NOT MEASURE 1" THEN DRAWING IS NOT TO FULL SCALE

PROJECT NO.
143234
022
SHEET
22 OF 42