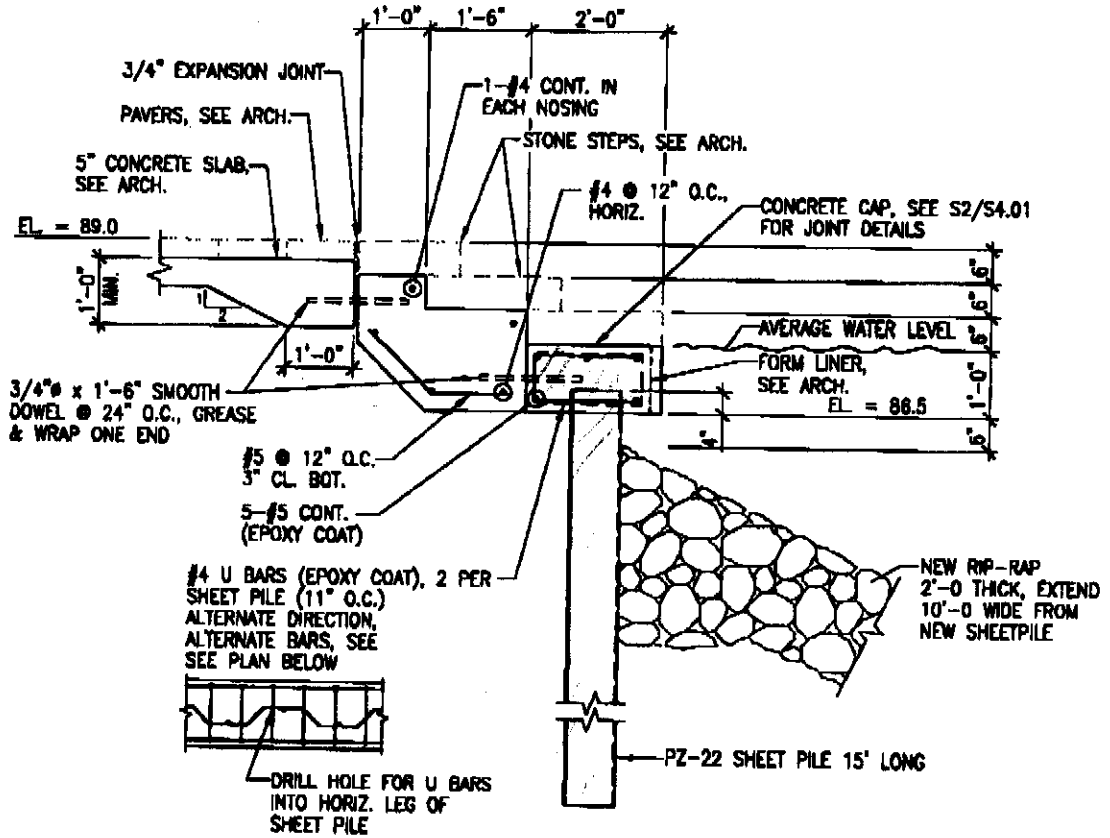


EXISTING CONSTRUCTION,  
VERIFY ALL EXISTING  
CONDITIONS & DETAILS,  
NOTIFY ARCHITECT/ENGINEER  
IF CONDITIONS DIFFER FROM  
THOSE SHOWN

**S18** RETAINING WALL SECTION

<b>WILSON &amp; COMPANY.</b>	<b>WICHITA RIVER CORRIDOR IMPROVEMENT PROJECT</b>		
	DSGN: Jav	DR: Jav	CK: Jav
FILE:	DATE Nov 2005	SHEET	

(316) 265 2405



**S13** SECTION AT KGE DAM PLAZA

<b>WILSON &amp; COMPANY.</b>	<b>WICHITA RIVER CORRIDOR IMPROVEMENT PROJECT</b>		
	DSGN: JAU	DR: JAU	CK: JAU
	FILE	DATE: Nov 2005	SHEET

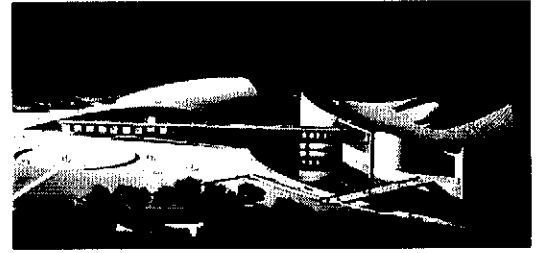
# LONDLINGER & SONS CONSTRUCTION CO., INC.

Exploration Place

300 N. Melean Blvd. Wichita, Kansas 67203

Phone (316) 264-9720

Fax (316) 264-8914

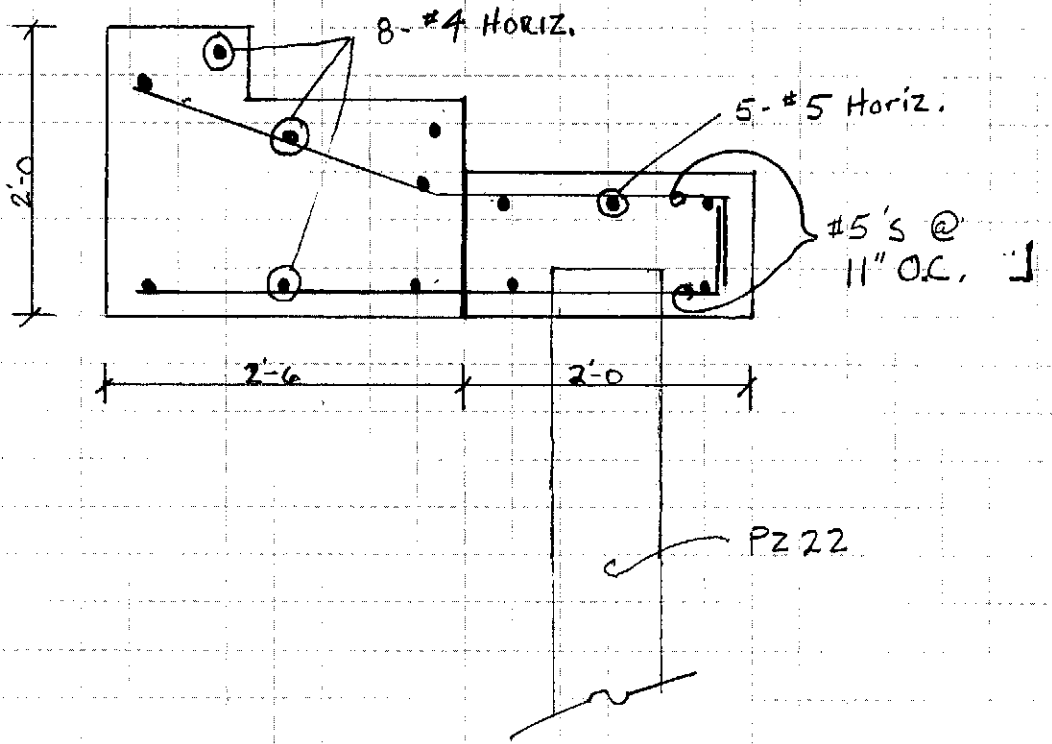


## RIVER CORRIDOR PROJECT

11/29/05

\*  
REVISION @  
WESTAR DAM PLAZA

REF. S13/S4.02  
S1/S4.01



Purposed to Jim URBAN - Jim wanted to use his detail.

Jim URBAN