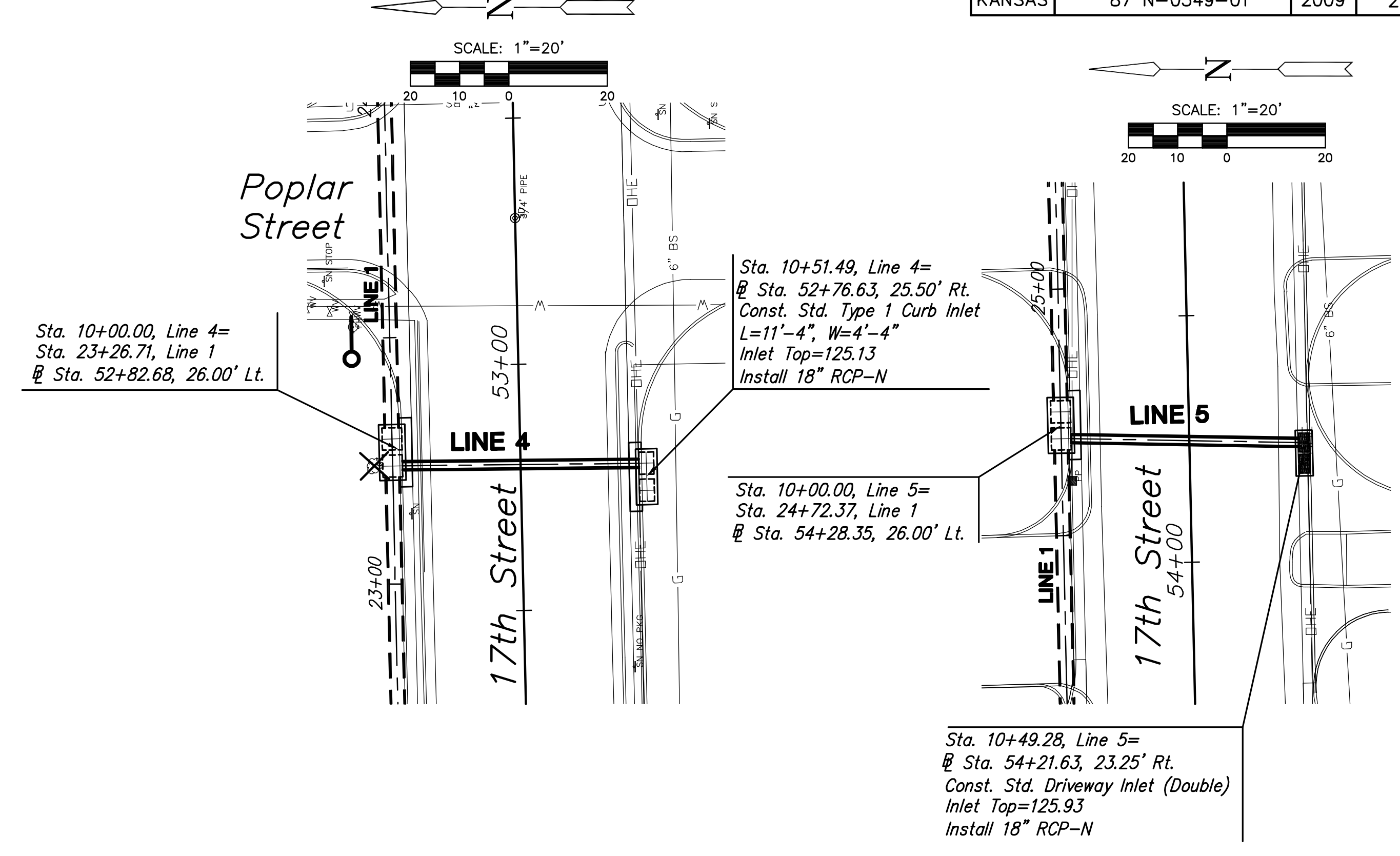
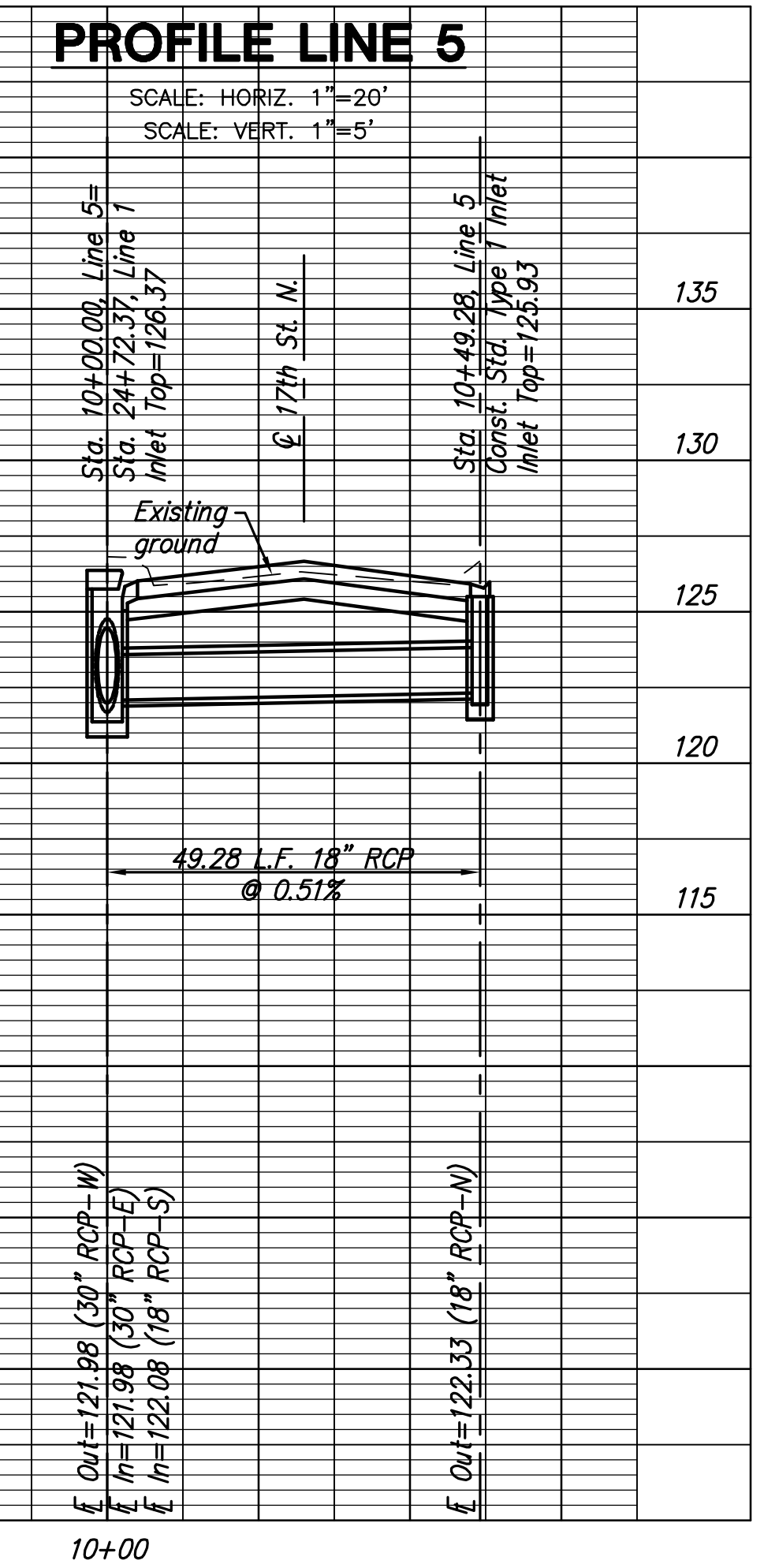
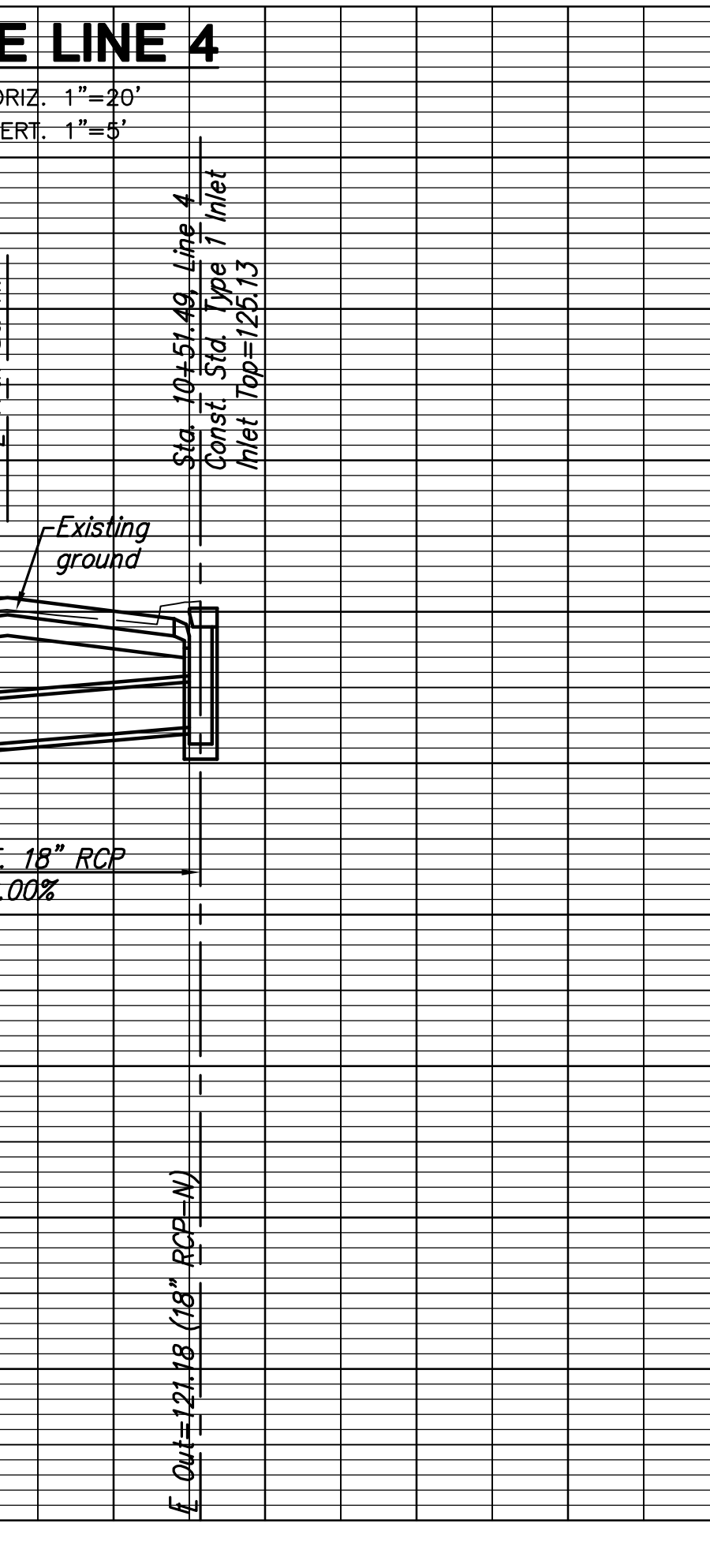
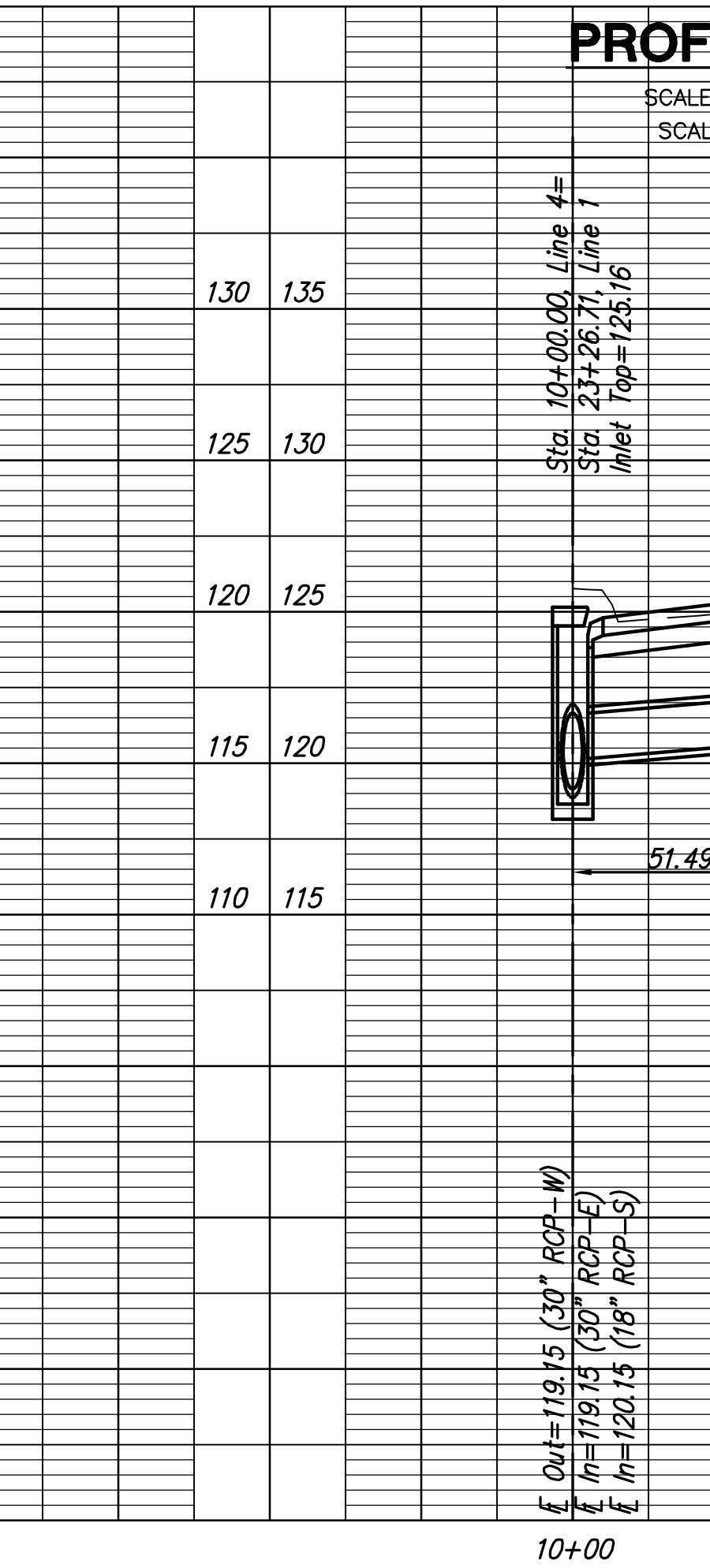
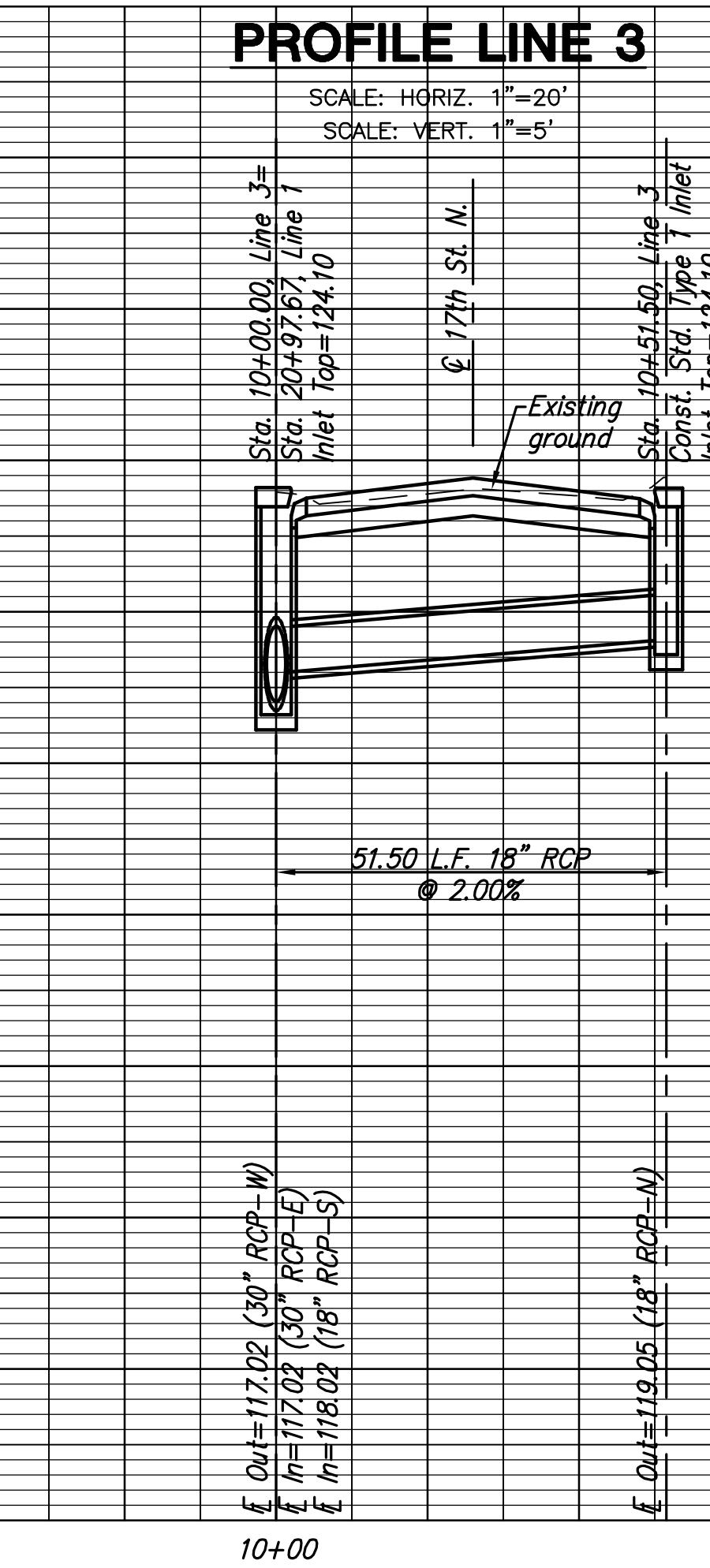
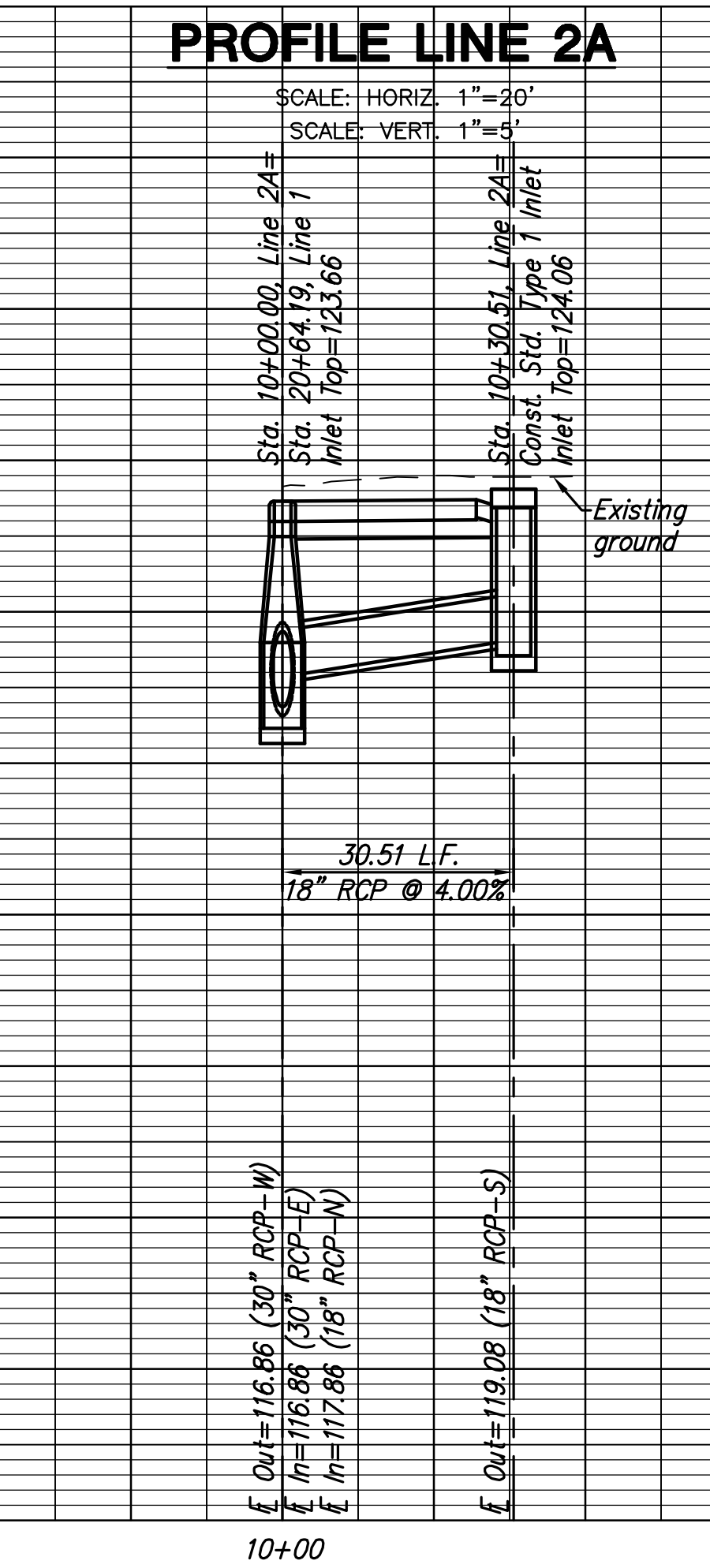
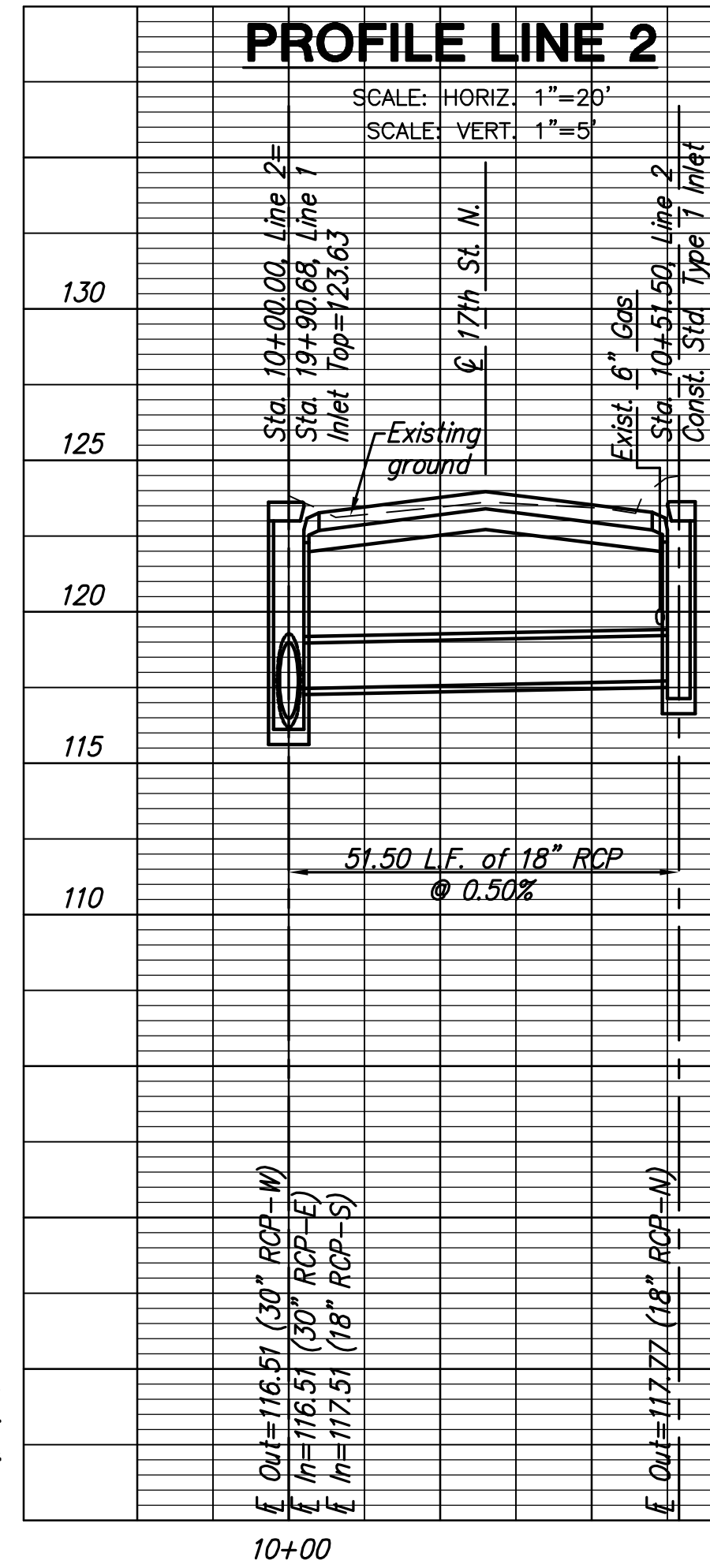


PLAN LINE 2, LINE 2A, AND LINE 3



PLAN LINE 4

PLAN LINE 5



17th STREET  
FROM GROVE TO HILLSIDE

**STORM LINE 2,  
LINE 2A, LINE 3,  
LINE 4, &  
LINE 5**

SHEET TITLE  
87 N-0349-01  
PROJECT NUMBER

JRA  
DESIGN BY  
JSB  
DRAWN BY  
JRA  
CHECKED BY

ISSUED  
May 28, 2009  
REVISED

SHEET NO.  
25 of 133

PLOTTED: Thursday, May 28, 2009 @ 10:32AM

J:\CIVIL\04179\DWG\SWS\04179D8.DWG