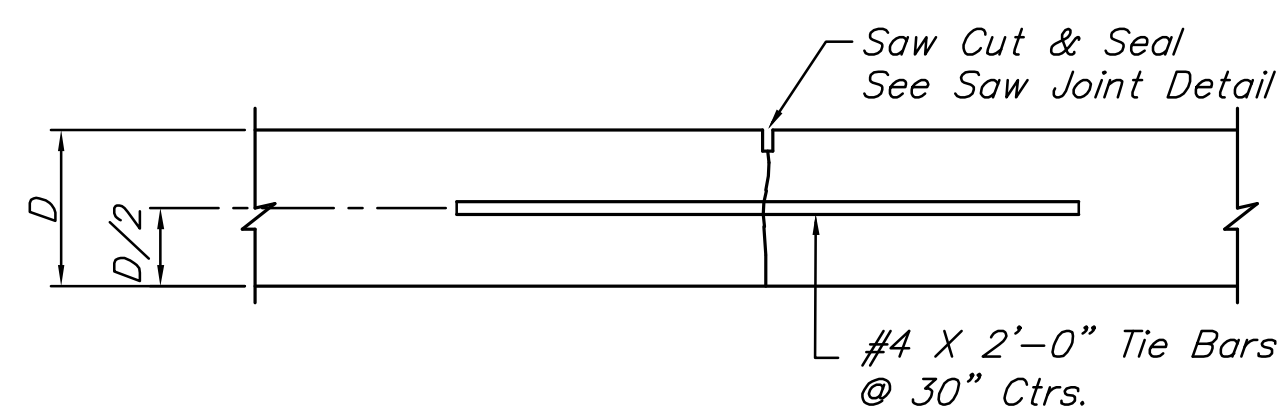
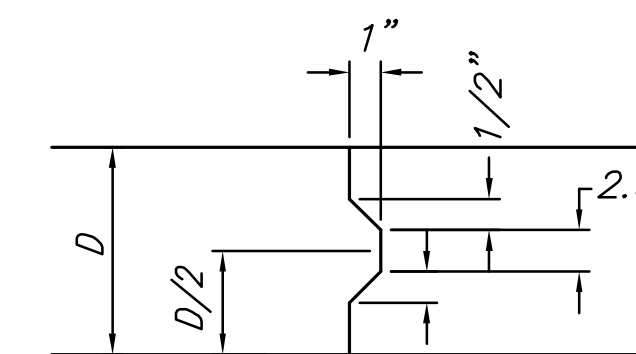


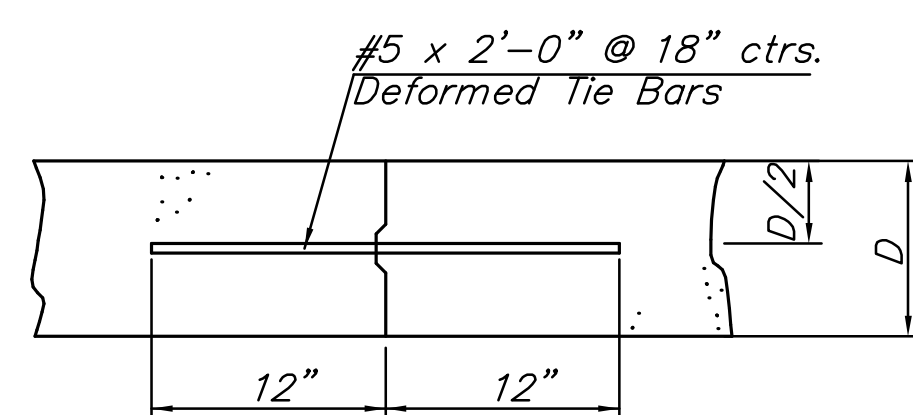
ISOLATION JOINT (I.J.)
(At Structures)



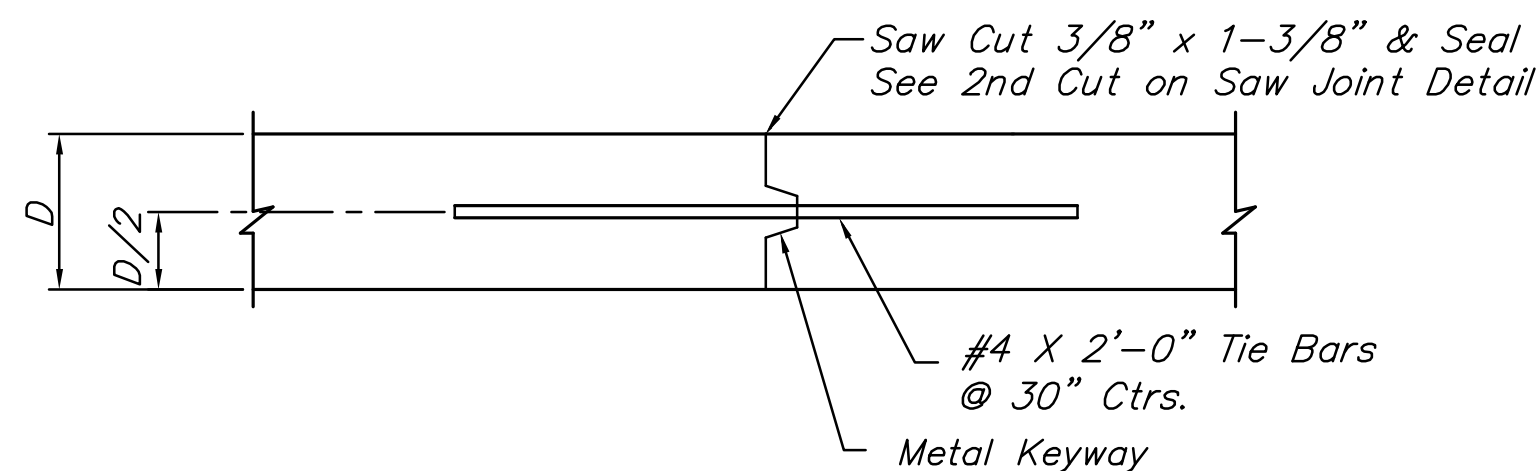
LONGITUDINAL JOINT DETAIL (L.J.)



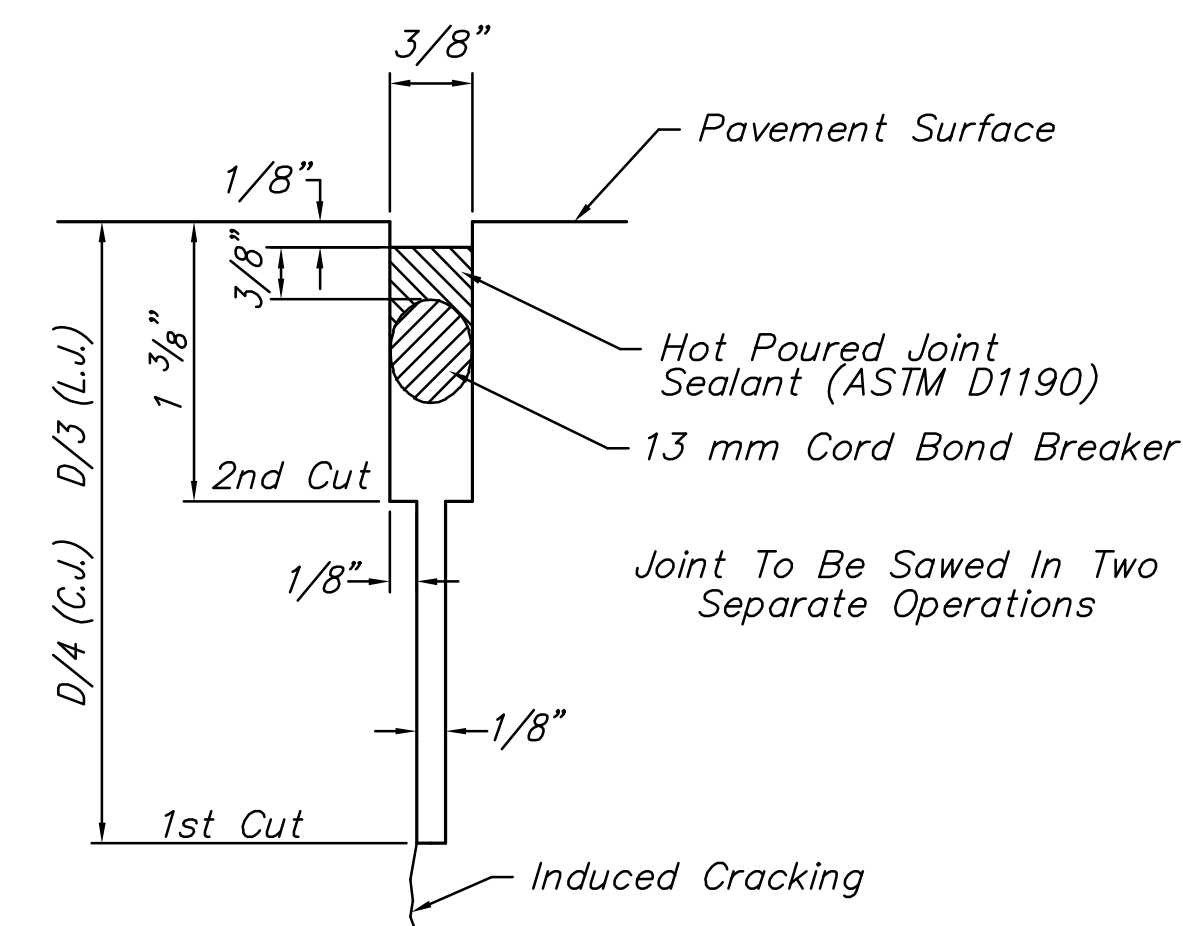
KEYWAY DETAIL



**TIED CONSTRUCTION AND CONTRACTION
JOINT DETAIL (T.C.J.)**

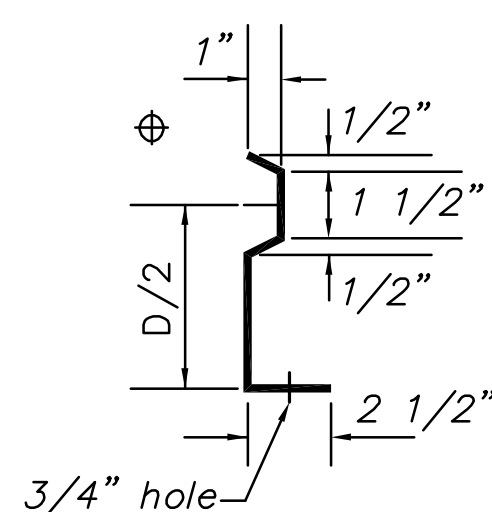


OPTIONAL LONGITUDINAL JOINT DETAIL (L.J.)



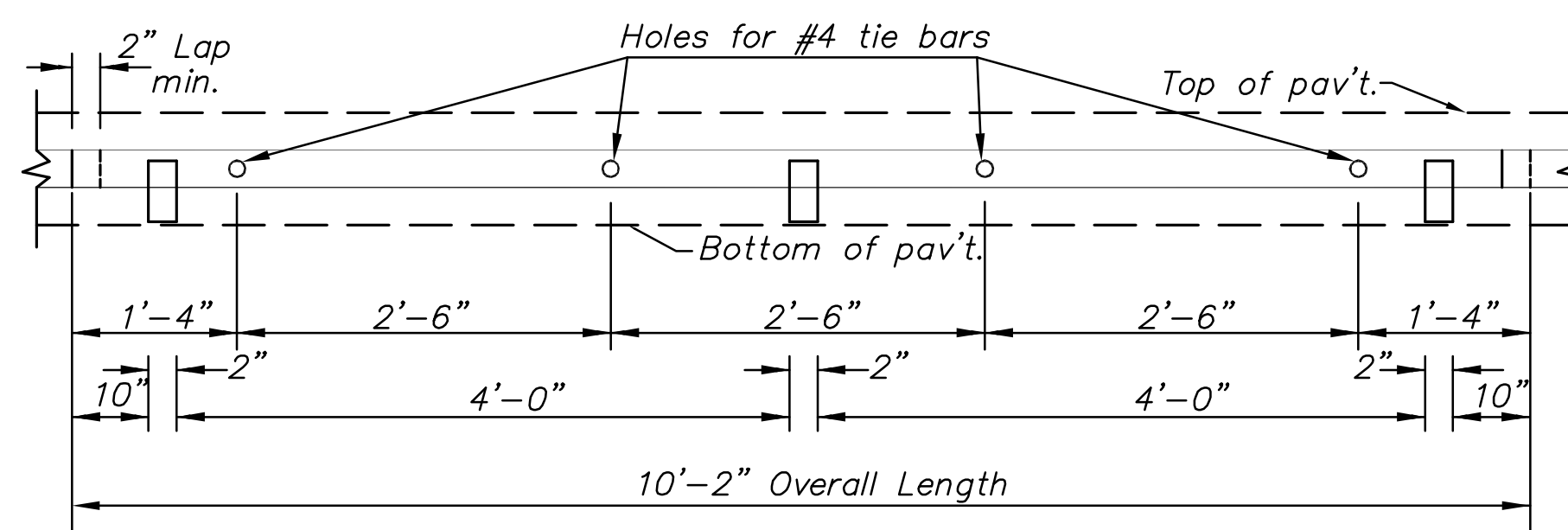
SAW JOINT DETAIL

Note: Contraction joints will be constructed at the planned location or as directed by the Engineer. When necessary to interrupt continuous placement for a substantial length of time or at the end of a day's pour, the Contractor has the option of ending placement at a contraction joint or with a construction joint located a minimum of five (5) feet from a contraction joint. Either joint type may be constructed by placing a header at the end of the pour or by paving past the joint location, sawing the joint after the concrete has hardened, and drilling holes for the tie bars and securing into the concrete with epoxy or cement grout.



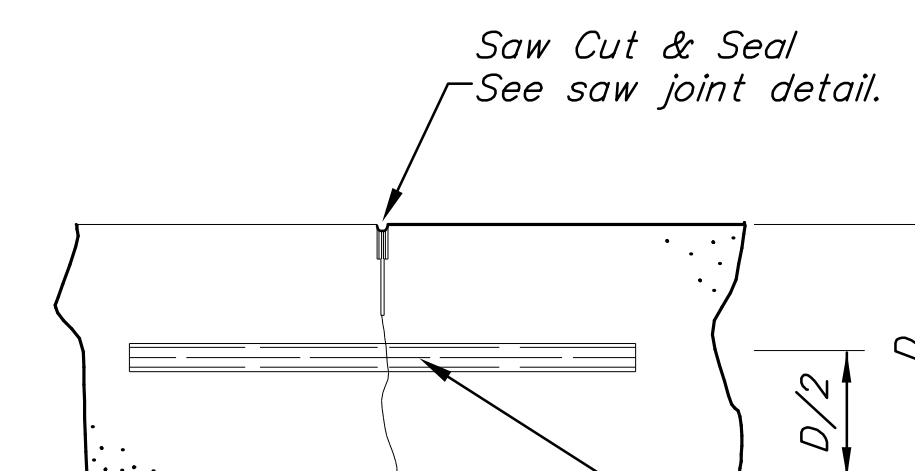
**SECTION OF RECESSED
FORM LEG**

⊕ Snap-in leg or other approved designs may be used in lieu of welded leg.



METAL STRIP FOR LONGITUDINAL CONSTRUCTION JOINT

To be used only against forms. Shall not extend through contraction or expansion joints. Other types of construction shall be permitted with the approval of the engineer.



Dowel bars, epoxy coated
1 1/4" Ø x 18" on 12" ctrs.

**DOWELED CONTRACTION
JOINT DETAIL (C.J.)**

Note: Details on this sheet apply to all concrete pavement with exception to driveways and valley gutters. Details on driveway and valley gutter joints are provided on the appropriate detail sheet.

**17th STREET
FROM GROVE TO HILLSIDE**

**CONCRETE
PAVEMENT
DETAILS**

SHEET TITLE
87 N-0349-01
PROJECT NUMBER

DESIGN BY: JRA
DRAWN BY: JSB
CHECKED BY: JRA

ISSUED: May 28, 2009
REVISED:

SHEET NO.
34 of 133