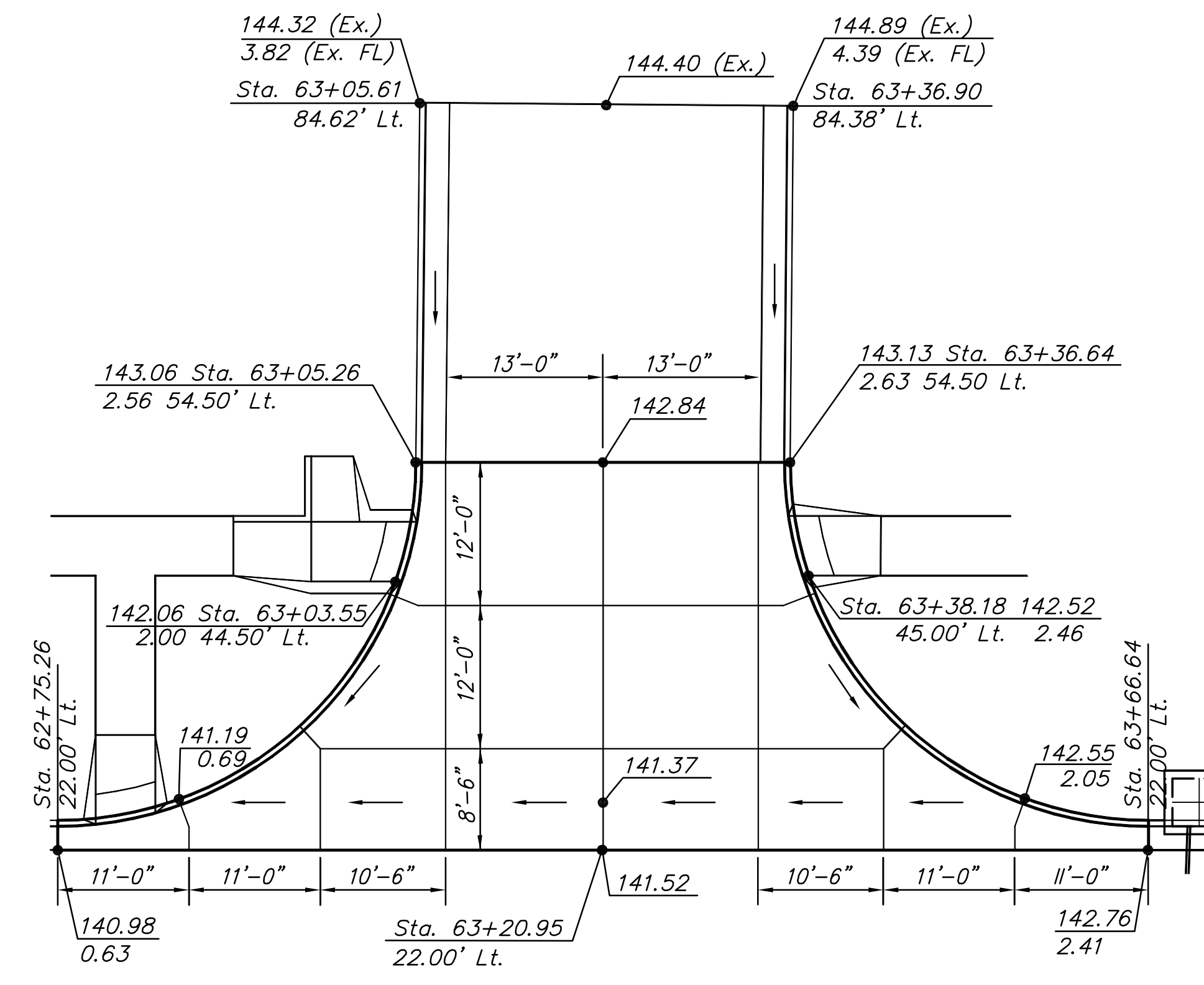


STATE	PROJECT NO.	YEAR	SHEET NO.	SHEETS
KANSAS	87 N-0349-01	2009	37	133

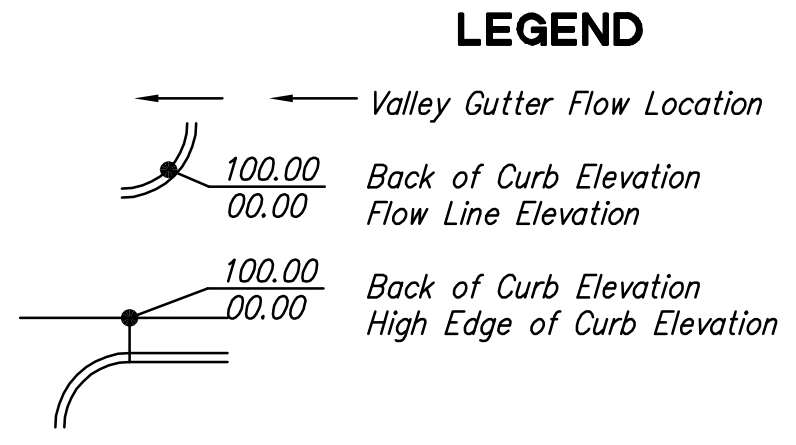
**MKEC**  
ENGINEERING  
CONSULTANTS, INC.

411 N. WEBB ROAD  
WICHITA, K.S. 67206  
316-684-9600

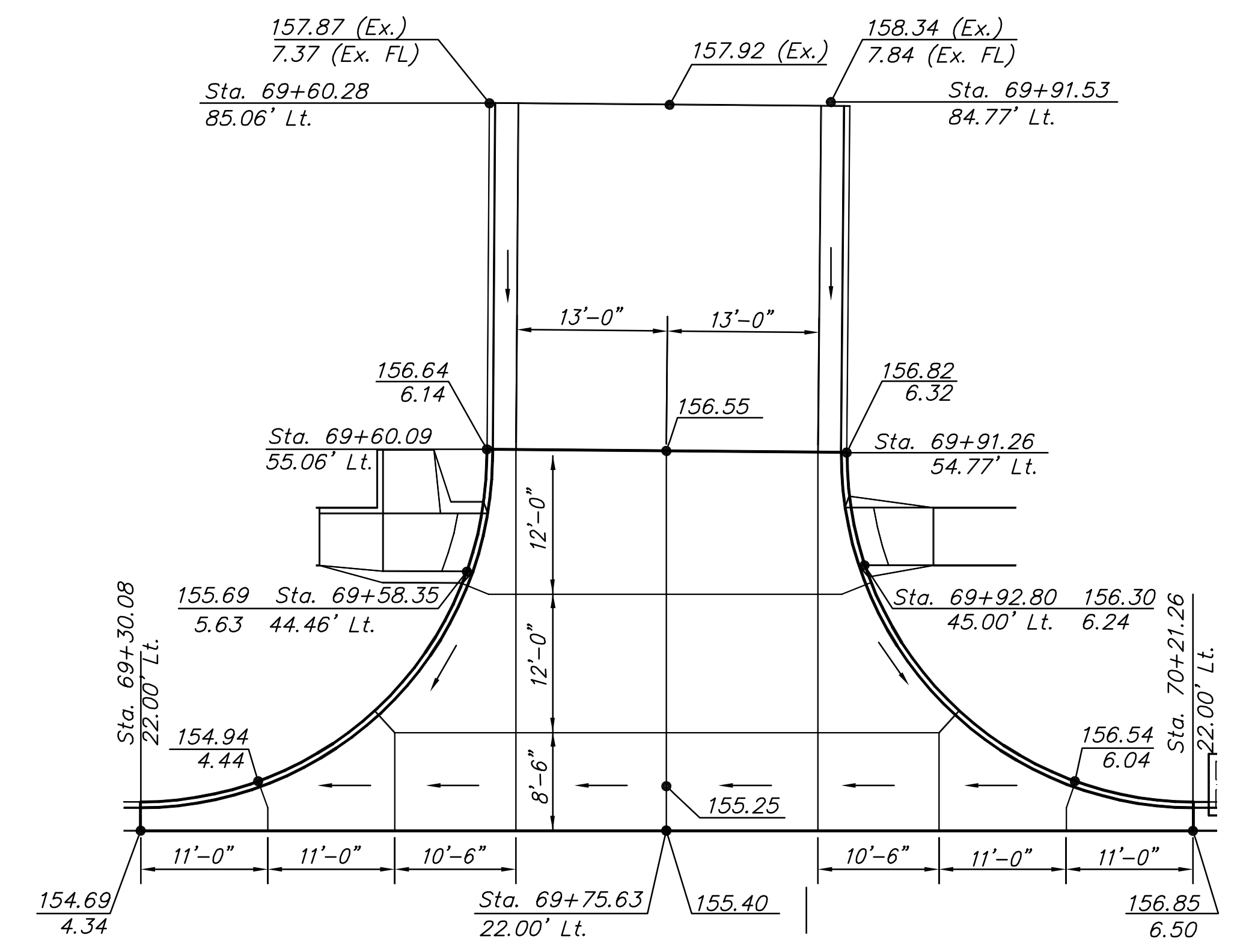
**17th STREET  
FROM GROVE TO HILLSIDE**



63+00 17TH STREET

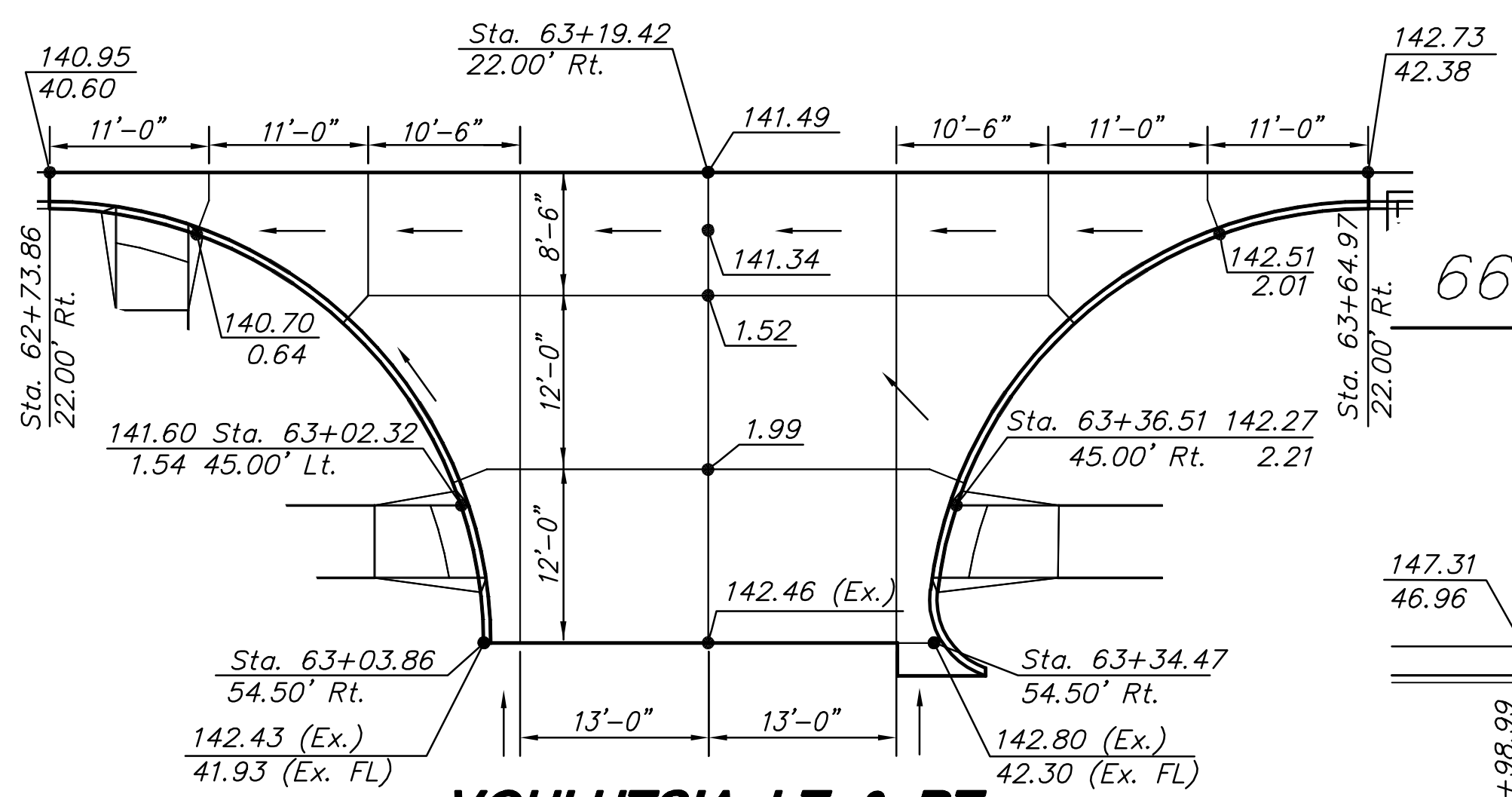


See Sheet 39 for Valley Gutter Details. See Sheet 3 for Side Road Typical Sections.



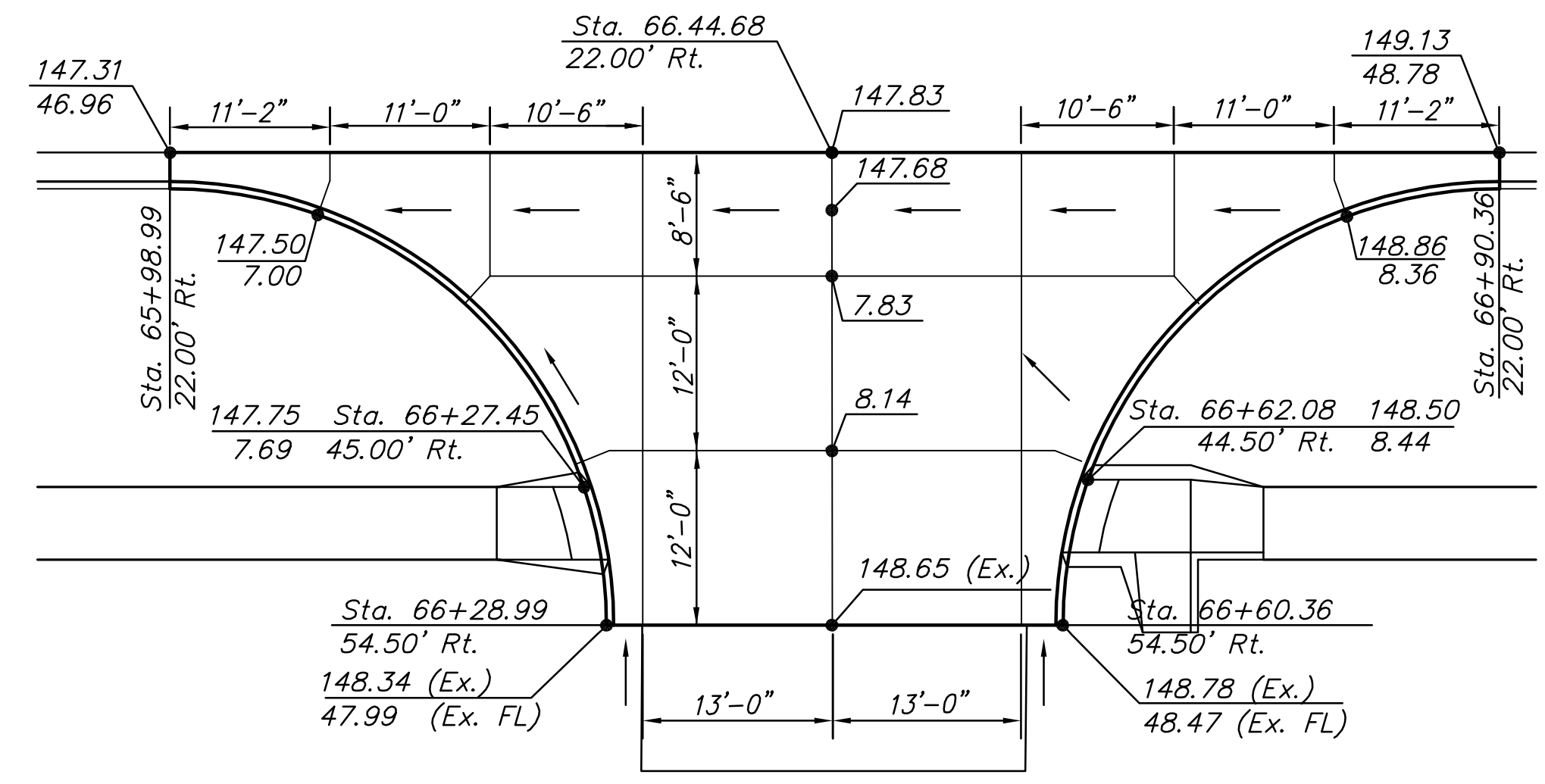
17TH STREET

70+00

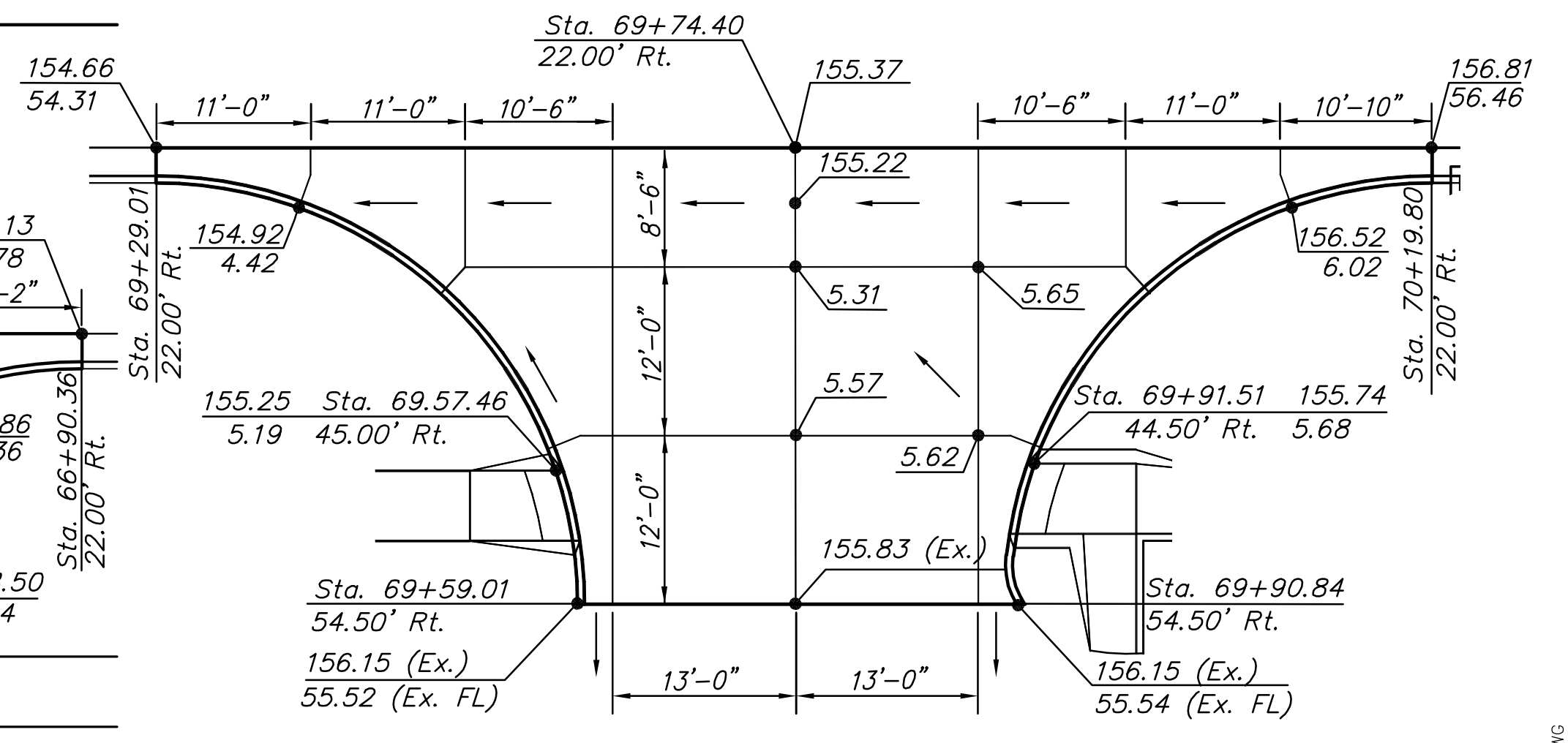


66+00

**VOULUTSIA, LT. & RT.**  
Scale: 1"=10'



**ERIE, RT.**  
Scale: 1"=10'



**CHAUTAUQUA, LT. & RT.**  
Scale: 1"=10'

**VALLEY GUTTER DETAILS**

SHEET TITLE  
87 N-0349-01  
PROJECT NUMBER

DESIGN BY: JRA  
DRAWN BY: JSB  
CHECKED BY: JRA

ISSUED  
May 28, 2009

REVISED

SHEET NO.  
37 of 133

PLOT: Thursday, May 28, 2009 10:34AM

J:\CIVIL\04179\DWG\PAV\04179-INT4.DWG